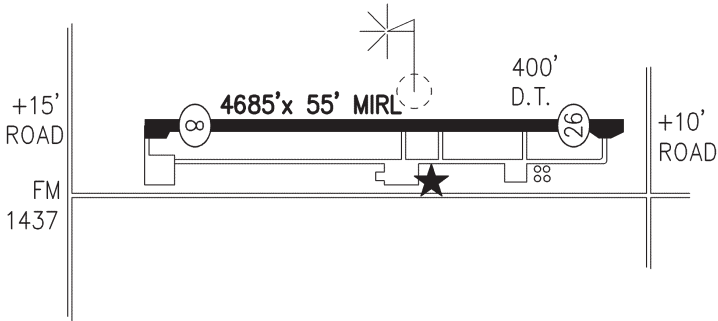




CAUTION:
+3701' →
GUADALUPE PEAK
AT 20 MILES



Lat: N 31° 56.86
Lon: W 105° 11.50'

Elev: 3701' MSL
TPA: STD

Sectional: EL PASO
Downtown to Apt: 02 nm/N

Owner: CITY OF DELL CITY
P O BOX 125
DELL CITY TX 79837
Phone: 915-964-2344
Fax: 915-964-2394

Manager: EDDIE CHACON
P O BOX 353
DELL CITY TX 79837
915-964-2223
Email: dellcity@dellcity.com

ATTENDANCE SCHEDULE: UNATTENDED

FUEL: NONE

REPAIRS: Airframe: NONE Power Plant: NONE

LIGHTS: DSK-DWN **CTAF:** 122.9

REMARKS: FOOD-LODGING (1MI)

FIXED BASE OPERATORS: NONE

