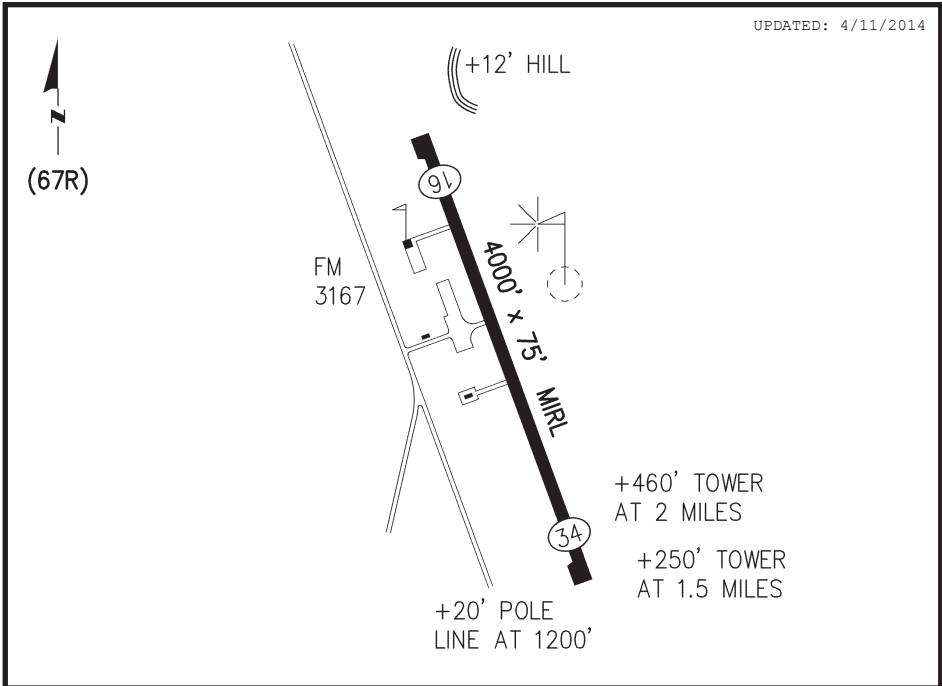


UPDATED: 4/11/2014



Lat: N 26° 25.46'
Lon: W 98° 50.76'

Elev: 290' MSL
TPA: STD

Sectional: BROWNSVILLE
Downtown to Apt: 03 nm/NW

Owner: CITY OF RIO GRANDE
 101 S. WASHINGTON ST.
 RIO GRANDE CITY TX 78582
Phone: 956-487-0672

Manager: RICARDO REYES
 101 S. WASHINGTON ST.
 RIO GRANDE CITY TX 78582
 956-487-5312

ATTENDANCE SCHEDULE: UNATTENDED

FUEL: NONE

REPAIRS: Airframe: NONE Power Plant: NONE

LIGHTS: DSK-DWN RDO-CTL

CTAF: 122.9

REMARKS: FOOD-LODGING (4 MI);
 APRT GATE CLOSED & LOCKED. CALL 956-487-5312;
 NO PUBLIC PHONE ON PROPERTY

FIXED BASE OPERATORS: NONE

