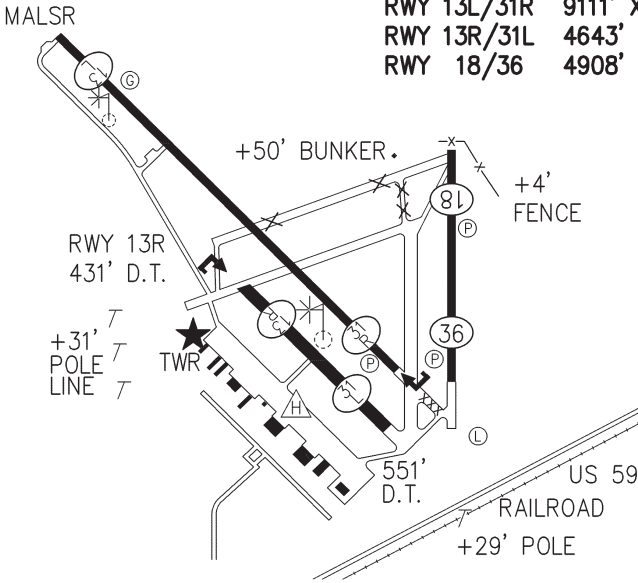


RWY DATA:

RWY 13L/31R 9111' X 150' HIRL
 RWY 13R/31L 4643' X 150'
 RWY 18/36 4908' X 75' MIRL



Lat: N 28° 51.15'
Lon: W 96° 55.11'

Elev: 115' MSL
TPA: STD

Sectional: HOUSTON
Downtown to Apt: 05 nm/NE

Owner: COUNTY OF VICTORIA
 101 N BRIDGE RM 102
 VICTORIA TX 77901
Phone: 361-575-4558
Web: www.flyvictoriatx.com

Manager: FRED WATTS
 609 FOSTER FIELD DR STE F
 VICTORIA TX 77904
 361-578-2704
Email: airport@vctx.org

ATTENDANCE SCHEDULE: MON-SAT 6:00AM-9:00PM
 SUN 8:00AM-6:00PM

FUEL: JET A & 100LL

REPAIRS: Airframe: MINOR Power Plant: MINOR

LIGHTS: DSK-DWN **UNICOM:** 122.7 **LOCAL:** 126.075

ASOS: 119.025/361-578-9916 **GROUND:** 120.525

REMARKS: FOOD (ON FIELD); LODGING (3MI); RENT CAR; TAXI

FIXED BASE OPERATORS: VICTORIA JET CENTER 361-578-1221

