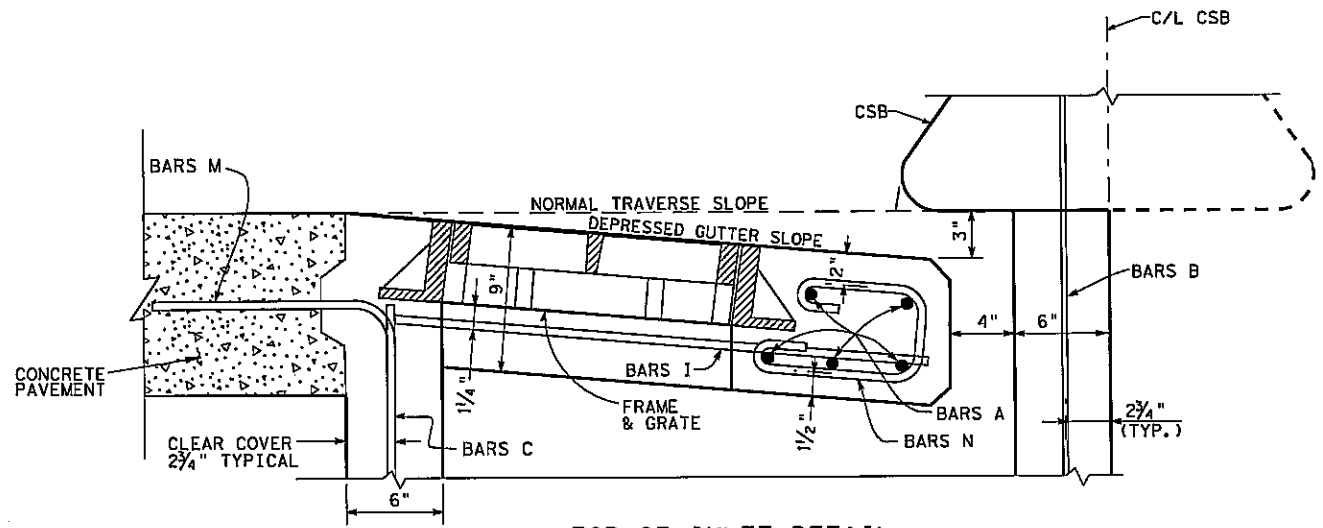
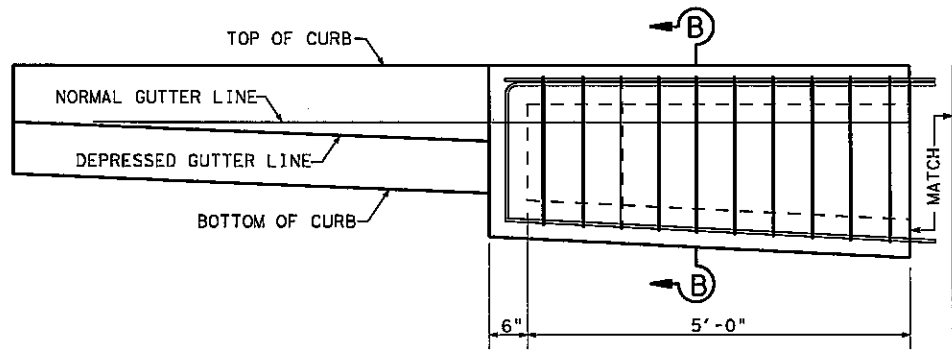


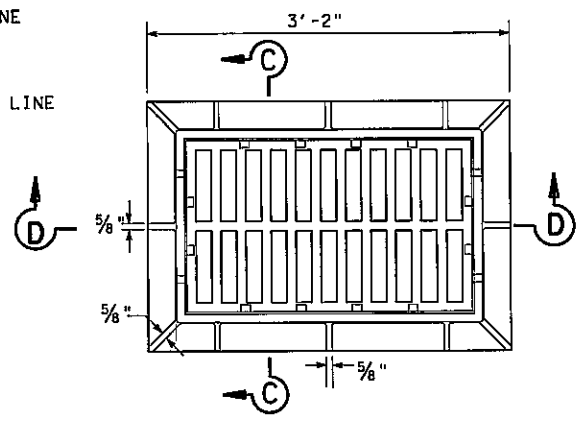
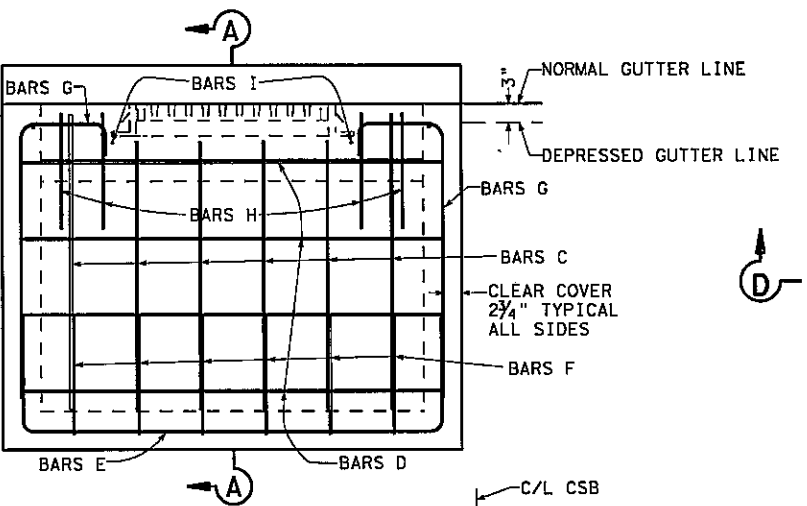
PLAN VIEW



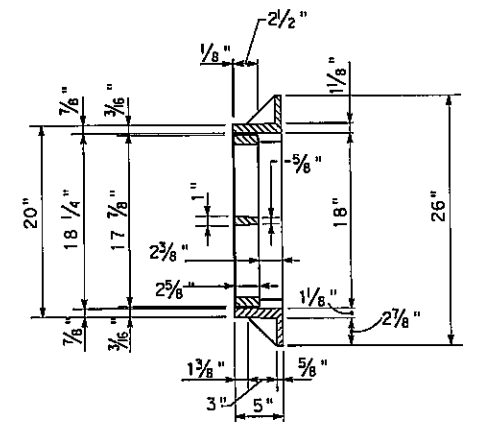
TOP OF INLET DETAIL



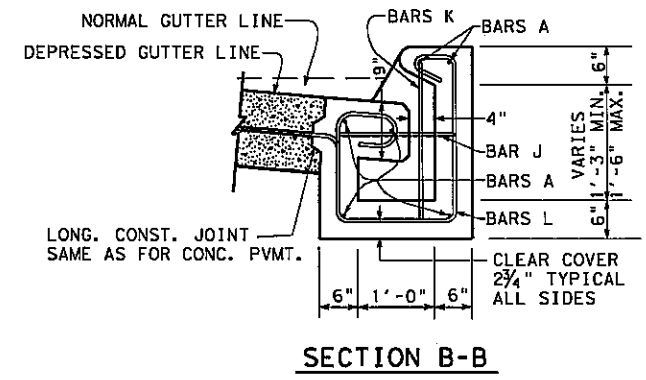
ELEVATION VIEW



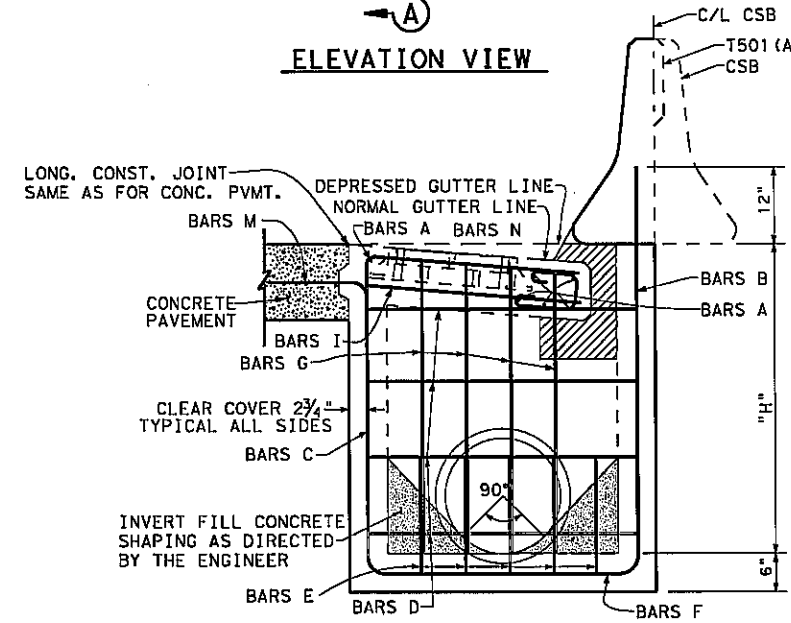
PLAN



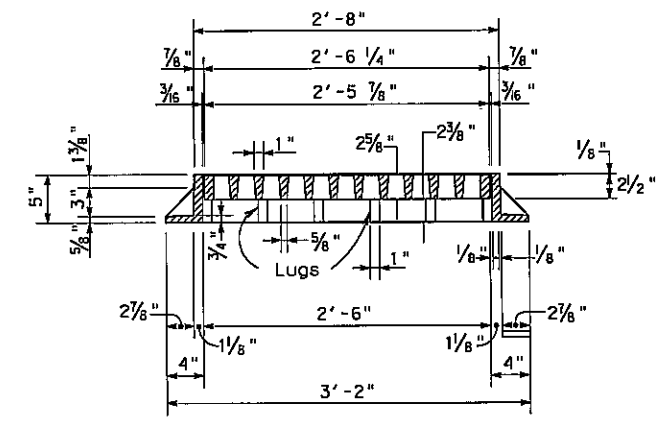
SECTION C-C



SECTION B-B



SECTION A-A



SECTION D-D

FRAME & GRATE TYPE "A"

NOTE: FRAME AND GRATE TO BE OF GRAY CAST IRON CONFORMING TO A.S.T.M. SPEC. A-48 FOR CLASS NO. 30 CAST IRON

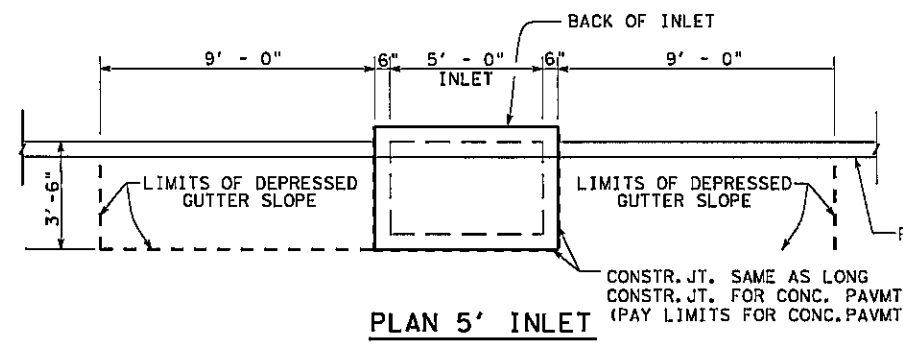
REVISED ON 9/10/08 SHEET 1 OF 2



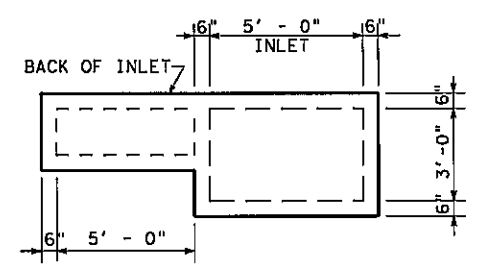
RAIL & GRATE INLET TYPE II

RG I (TY II) -08

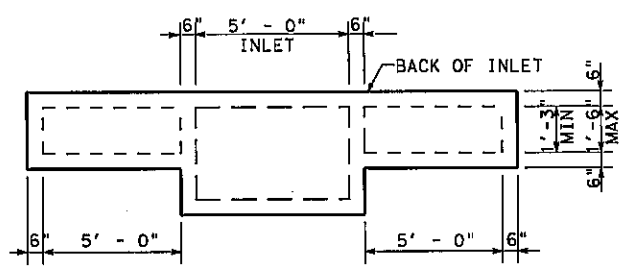
FILE: RGI (TY II) -08	DN: TxDOT	CK: TxDOT	DW:	CK:
© TxDOT	DISTRICT	FEDERAL AID PROJECT	SHEET	
DAL				
COUNTY	CONTROL	SECT	JOB	HIGHWAY



PLAN 5' INLET



PLAN 10' INLET



PLAN 15' INLET

NOT TO SCALE

DISCLAIMER: The use of this standard is governed by the "Texas Engineering Practice Act". No warranty of any kind is made by TxDOT for any purpose whatsoever. TxDOT assumes no responsibility for the conversion of this standard to other formats or for incorrect results or damages resulting from its use.

LEVELS DISPLAYED	
1	
2	
3	
4	
5	
6	
7	
8	
9	
10	

