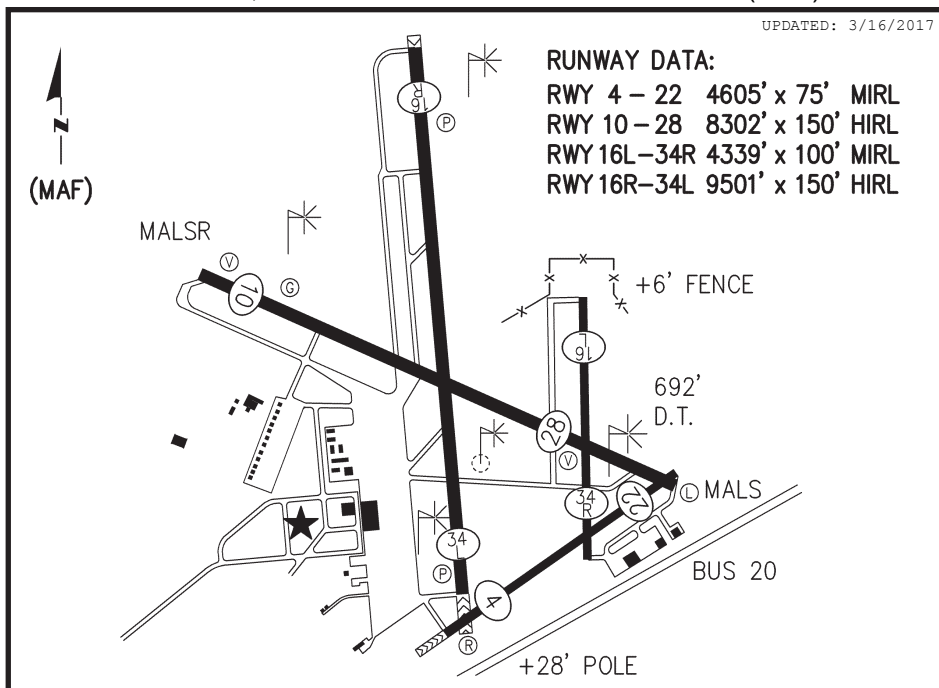


UPDATED: 3/16/2017

**RUNWAY DATA:**

RWY 4 – 22 4605' x 75' MIRL
 RWY 10 – 28 8302' x 150' HIRL
 RWY 16L – 34R 4339' x 100' MIRL
 RWY 16R – 34L 9501' x 150' HIRL

Lat: N 31° 56.55'
Lon: W 102° 12.12'

Elev: 2871' MSL
TPA: STD

Sectional: SAN ANTONIO
Downtown to Apt: 08 nm/SW

Owner: CITY OF MIDLAND
 P O BOX 1152
 MIDLAND TX 79702
Phone: 432-685-7100
Fax: 432-560-2237/5201
Web: www.midlandtexas.gov

Manager: MARVIN ESTERLY
 P O BOX 60305
 MIDLAND TX 79711
 432-560-2200
Email: mesterly@midlandtexas.gov

ATTENDANCE SCHEDULE: 24HRS

FUEL: JET A, A1, A1+, B, 100LL & OXYGEN

REPAIRS: Airframe: MAJOR Power Plant: MAJOR

LIGHTS: DSK-DWN

UNICOM: 122.95

CTAF: 118.7

ASOS: 432-561-5935

ATIS: 126.8

REMARKS: FOOD (ON FIELD); LODGING (ADJACENT); TAXI; BUS; TWY B NORTH OF RUNWAY 10/28 CLOSED TO AIRCRAFT OVER 60,000 LBS; RUNWAYS 4/22 AND 16L/34R CLOSED TO ACFT OVER 60,000 LBS; BOTTLE/BULK OXYGEN (HIGH/LOW); (VI); FLT INST

FIXED BASE OPERATORS: AERO MOD 432-563-1666; AVION 432-563-2033;

