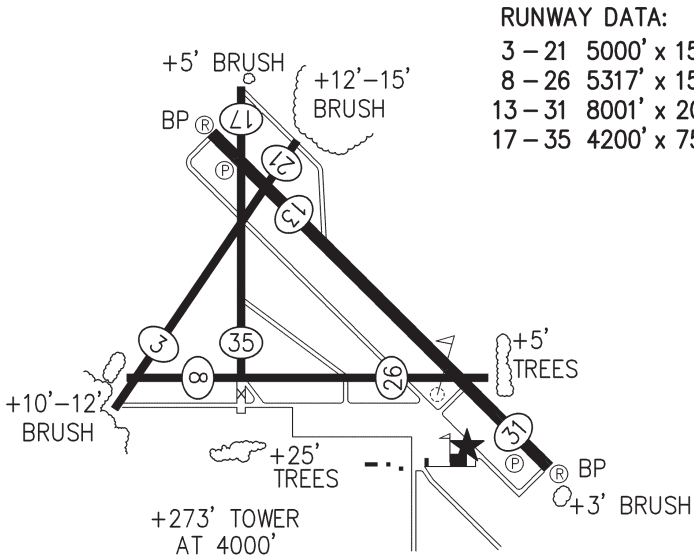


UPDATED: 1/15/2015



RUNWAY DATA:

3-21 5000' x 150'
 8-26 5317' x 150'
 13-31 8001' x 200' MIRL
 17-35 4200' x 75'

Lat: N 26° 09.97'
 Lon: W 97° 20.75'

Elev: 19' MSL
 TPA: STD

Sectional: BROWNSVILLE
 Downtown to Apt: 10 nm/W

Owner: CAMERON COUNTY
 CAMERON COUNTY COURTHOUSE
 BROWNSVILLE TX 78520
Phone: 956-544-0830

Manager: JOE VEGA
 33174 STATE PARK RD 100
 SOUTH PADRE ISLNAD
 TX 78520
 956-761-3700

ATTENDANCE SCHEDULE: 8:00AM-5:00PM

FUEL: JET A & 100LL

REPAIRS: Airframe: MAJOR Power Plant: MAJOR

LIGHTS: DSK-DWN **UNICOM/CTAF:** 122.8

ASOS: 118.525/956-233-5740

REMARKS: FOOD-LODGING(14MI); CAR RENTAL WITH PRIOR NOTICE; PAJA

FIXED BASE OPERATORS: SOUTHWIND AIRLINES INC 956-233-4424

