

Control	0066-05-081, ETC.
Project	C 66-5-81, ETC.
Highway	US 87, ETC.
County	MOORE, ETC.

ADDENDUM ACKNOWLEDGMENT

Each bidder is required to acknowledge receipt of an addendum issued for a specific project. This page is provided for the purpose of acknowledging an addendum.

FAILURE TO ACKNOWLEDGE RECEIPT OF AN ADDENDUM WILL RESULT IN THE BID NOT BEING READ.

In order to properly acknowledge an addendum place a mark in the box next to the respective addendum.

- ADDENDUM NO. 1
- ADDENDUM NO. 2
- ADDENDUM NO. 3
- ADDENDUM NO. 4
- ADDENDUM NO. 5

In addition, the bidder by affixing their signature to the signature page of the proposal is acknowledging that they have taken the addendum(s) into consideration when preparing their bid and that the information contained in the addendum will be included in the contract, if awarded by the Commission or other designees.

This page intentionally left blank.

Control	0066-05-081, ETC.
Project	C 66-5-81, ETC.
Highway	US 87, ETC.
County	MOORE, ETC.

PROPOSAL TO THE TEXAS TRANSPORTATION COMMISSION

2024 SPECIFICATIONS

WORK CONSISTING OF SEAL COAT

MOORE COUNTY, TEXAS, Etc.

The quantities in the proposal are approximate. The quantities of work and materials may be increased or decreased as considered necessary to complete the work as planned and contemplated.

This project is to be completed in 109 working days and will be accepted when fully completed and finished to the satisfaction of the Executive Director or designee.

Provide a proposal guaranty in the form of a Cashier's Check, Teller's Check (including an Official Check) or Bank Money Order on a State or National Bank or Savings and Loan Association, or State or Federally chartered Credit Union made payable to the Texas Transportation Commission in the following amount:

ONE HUNDRED THOUSAND (Dollars) (\$100,000)

A bid bond may be used as the required proposal guaranty. The bond form may be detached from the proposal for completion. The proposal may not be disassembled to remove the bond form. The bond must be in accordance with Item 2 of the specifications.

Any addenda issued amending this proposal and/or the plans that have been acknowledged by the bidder, become part of this proposal.

By signing the proposal the bidder certifies:

1. the only persons or parties interested in this proposal are those named and the bidder has not directly or indirectly participated in collusion, entered into an agreement or otherwise taken any action in restraint of free competitive bidding in connection with the above captioned project.
2. in the event of the award of a contract, the organization represented will secure bonds for the full amount of the contract.
3. the signatory represents and warrants that they are an authorized signatory for the organization for which the bid is submitted and they have full and complete authority to submit this bid on behalf of their firm.
4. that the certifications and representations contained in the proposal are true and accurate and the bidder intends the proposal to be taken as a genuine government record.

• **Signed:** **

(1) _____ (2) _____ (3) _____

Print Name:

(1) _____ (2) _____ (3) _____

Title:

(1) _____ (2) _____ (3) _____

Company:

(1) _____ (2) _____ (3) _____

- Signatures to comply with Item 2 of the specifications.

**Note: Complete (1) for single venture, through (2) for joint venture and through (3) for triple venture.

* **When the working days field contains an asterisk (*) refer to the Special Provisions and General Notes.**

NOTICE TO CONTRACTORS

ANY CONTRACTORS INTENDING TO BID ON ANY WORK TO BE AWARDED BY THIS DEPARTMENT MUST SUBMIT A SATISFACTORY “AUDITED FINANCIAL STATEMENT” AND “EXPERIENCE QUESTIONNAIRE” AT LEAST TEN DAYS PRIOR TO THE LETTING DATE.

UNIT PRICES MUST BE SUBMITTED IN ACCORDANCE WITH ITEM 2 OF THE STANDARD SPECIFICATIONS OR SPECIAL PROVISION TO ITEM 2 FOR EACH ITEM LISTED IN THIS PROPOSAL.

TEXAS DEPARTMENT OF TRANSPORTATION

BID BOND

KNOW ALL PERSONS BY THESE PRESENTS,

That we, (Contractor Name) _____

Hereinafter called the Principal, and (Surety Name) _____

a corporation or firm duly authorized to transact surety business in the State of Texas, hereinafter called the Surety, are held and firmly bound unto the Texas Department of Transportation, hereinafter called the Oblige, in the sum of not less than two percent (2%) of the department's engineer's estimate, rounded to the nearest one thousand dollars, not to exceed one hundred thousand dollars (\$100,000) as a proposal guaranty (amount displayed on the cover of the proposal), the payment of which sum will and truly be made, the said Principal and the said Surety, bind ourselves, our heirs, executors, administrators, successors and assigns, jointly and severally, firmly by these presents.

WHEREAS, the principal has submitted a bid for the following project identified as:

Control	0066-05-081, ETC.
Project	C 66-5-81, ETC.
Highway	US 87, ETC.
County	MOORE, ETC.

NOW, THEREFORE, if the Oblige shall award the Contract to the Principal and the Principal shall enter into the Contract in writing with the Oblige in accordance with the terms of such bid, then this bond shall be null and void. If in the event of failure of the Principal to execute such Contract in accordance with the terms of such bid, this bond shall become the property of the Oblige, without recourse of the Principal and/or Surety, not as a penalty but as liquidated damages.

Signed this _____ Day of _____ 20_____

By: _____
(Contractor/Principal Name)

(Signature and Title of Authorized Signatory for Contractor/Principal)

*By: _____
(Surety Name)

(Signature of Attorney-in-Fact)

Impressed
Surety Seal
Only

*Attach Power of attorney (Surety) for Attorney-in-Fact

This form may be removed from the proposal.

This page intentionally left blank.

BIDDER'S CHECK RETURN

IMPORTANT

The space provided for the return address must be completed to facilitate the return of your bidder's check. Care must be taken to provide a legible, accurate, and complete return address, including zip code. A copy of this sheet should be used for each different return address.

NOTE

Successful bidders will receive their guaranty checks with the executed contract.

RETURN BIDDERS CHECK TO (PLEASE PRINT):

Control	0066-05-081, ETC.
Project	C 66-5-81, ETC.
Highway	US 87, ETC.
County	MOORE, ETC.

IMPORTANT

PLEASE RETURN THIS SHEET IN ITS ENTIRETY

Please acknowledge receipt of this check(s) at your earliest convenience by signing below in longhand, in ink, and returning this acknowledgement in the enclosed self addressed envelope.

Check Received By: _____ Date: _____

Title: _____

For (Contractor's Name): _____

Project _____ County _____

This page intentionally left blank.

NOTICE TO THE BIDDER

In the space provided below, please enter your total bid amount for this project. Only this figure will be read publicly by the Department at the public bid opening.

It is understood and agreed by the bidder in signing this proposal that the total bid amount entered below is not binding on either the bidder or the Department. It is further agreed that **the official total bid amount for this proposal will be determined by multiplying the unit bid prices for each pay item by the respective estimated quantities shown in this proposal and then totaling all of the extended amounts.**

\$ _____
Total Bid Amount

Control 0001-03-030
 Project STP 2000(938)HES
 Highway SH 20
 County EL PASO

ALT	ITEM	DESC	SP	Bid Item Description	Unit	Quantity	Bid Price	Amount	Seq
	I04	509	X	REMOV CONC (SDWLK)	MSY	266.400	\$10.000	\$2,664.00	1
							Total Bid Amount	\$2,664.00	

Signed _____
 Title _____
 Date _____

Additional Signature for Joint Venture:

Signed _____
 Title _____
 Date _____

EXAMPLE OF BID PRICES SUBMITTED BY COMPUTER PRINTOUT

EXAMPLE

EXAMPLE

EXAMPLE

EXAMPLE

EXAMPLES

BID PRICES SUBMITTED BY HAND WRITTEN FORMAT

ALT	ITEM-CODE			UNIT BID PRICE <u>ONLY</u> WRITTEN IN WORDS	UNIT	APPROX QUANTITIES	DEPT USE ONLY
	ITEM NO	DESC NO	S.P. NO.				
	190	026		RED OAK 1 1/2 - 1 3/4 GAL BB	EA	9.000	1
					L	E	

Unit price for each plant in place

	249	014		FLEX BASE(DEL)(DENSOT)(TY A GR4 CL2)	TON	56,787.00	14
					L	E	

Unit price for each ton of Flexible Base

	430	001	001	CL A CONC FOR EXT STR (CULV)	CY	45.000	27
					L	E	

Unit price for each cubic yard of Concrete

	610	007	001	RDWY ILL ASSEM(TY ST 50T-8-8)(.4 KW)S	EA	13.000	7
					L	E	

Unit price of each Roadway Illumination Assembly

EXAMPLE

EXAMPLE

EXAMPLE

EXAMPLE

This page intentionally left blank.

PROJECT C 66-5-81 , ETC.
 COUNTY MOORE , ETC.

Proposal Sheet
 TxDOT
 FORM 234

ALT	ITEM-CODE			UNIT BID PRICE ONLY. WRITTEN IN WORDS	UNIT	APPROX QUANTITIES	DEPT USE ONLY
	ITEM NO	DESC CODE	S.P. NO.				
	316	7002		ASPH (A-R TYPE III) DOLLARS and CENTS	GAL	781,500.000	1
	316	7067		ASPH (AC-20-5TR OR AC-20XP) DOLLARS and CENTS	GAL	1,676,105.00	2
	316	7242		AGGR (TY-PB OR E, GR-3)(SAC-A) DOLLARS and CENTS	CY	38,521.000	3
	438	7008		CLEANING EXISTING JOINTS DOLLARS and CENTS	LF	3,472.000	4
	500	7001		MOBILIZATION DOLLARS and CENTS	LS	1.000	5
	502	7004	001	BARRICADES, SIGNS AND TRAFFIC HAN- DLING DOLLARS and CENTS	EA	22.000	6
	503	7002		PORTABLE CHANGEABLE MESSAGE SIGN DOLLARS and CENTS	EA	2.000	7
	505	7001		TMA (STATIONARY) DOLLARS and CENTS	DAY	60.000	8
	505	7002		TMA (MOBILE OPERATION) DOLLARS and CENTS	HR	600.000	9
	662	7112		WK ZN PAV MRK SHT TERM (TAB)TY W DOLLARS and CENTS	EA	18,198.000	10
	662	7114		WK ZN PAV MRK SHT TERM (TAB)TY Y-2 DOLLARS and CENTS	EA	44,424.000	11

ALT	ITEM-CODE			UNIT BID PRICE ONLY. WRITTEN IN WORDS	UNIT	APPROX QUANTITIES	DEPT USE ONLY
	ITEM NO	DESC CODE	S.P. NO.				
	666	7010		REFL PAV MRK TY I (W)6"(LNDP)(060MIL) DOLLARS and CENTS	LF	2,437.000	12
	666	7016		REFL PAV MRK TY I (W)8"(DOT)(060MIL) DOLLARS and CENTS	LF	3,099.000	13
	666	7022		REFL PAV MRK TY I (W)8"(SLD)(060MIL) DOLLARS and CENTS	LF	42,606.000	14
	666	7172		RE PM TY II (W) 6" (BRK) DOLLARS and CENTS	LF	131,870.000	15
	666	7174		RE PM TY II (W) 6" (LNDP) DOLLARS and CENTS	LF	2,437.000	16
	666	7175		RE PM TY II (W) 6" (SLD) DOLLARS and CENTS	LF	1,497,823.00	17
	666	7177		RE PM TY II (W) 8" (DOT) DOLLARS and CENTS	LF	3,099.000	18
	666	7179		RE PM TY II (W) 8" (SLD) DOLLARS and CENTS	LF	42,606.000	19
	666	7211		RE PM TY II (Y) 6" (BRK) DOLLARS and CENTS	LF	197,370.000	20
	666	7213		RE PM TY II (Y) 6" (SLD) DOLLARS and CENTS	LF	1,103,231.00	21
	666	7288		TY I HIGH PERF PM (W)6"(BRK)(060MIL) DOLLARS and CENTS	LF	131,870.000	22
	666	7291		TY I HIGH PERF PM (W)6"(SLD)(060MIL) DOLLARS and CENTS	LF	1,497,823.00	23

ALT	ITEM-CODE			UNIT BID PRICE ONLY. WRITTEN IN WORDS	UNIT	APPROX QUANTITIES	DEPT USE ONLY
	ITEM NO	DESC CODE	S.P. NO.				
	666	7300		TY I HIGH PERF PM (Y)6"(BRK)(060MIL) DOLLARS and CENTS	LF	197,370.000	24
	666	7303		TY I HIGH PERF PM (Y)6"(SLD)(060MIL) DOLLARS and CENTS	LF	1,103,231.00	25
	668	7089		PREFAB PM TY C (W)(24")(SLD) DOLLARS and CENTS	LF	795.000	26
	668	7091		PREFAB PM TY C (W)(ARROW) DOLLARS and CENTS	EA	30.000	27
	668	7100		PREFAB PM TY C (W)(LN REDUCT ARROW) DOLLARS and CENTS	EA	22.000	28
	668	7103		PREFAB PM TY C (W)(WORD) DOLLARS and CENTS	EA	2.000	29
	668	7108		PREFAB PM TY C (W)(RR XING) DOLLARS and CENTS	EA	2.000	30
	668	7111		PREFAB PM TY C (W)(36")(YLD TRI) DOLLARS and CENTS	EA	1,024.000	31
	672	7002		REFL PAV MRKR TY I-C DOLLARS and CENTS	EA	564.000	32
	672	7004		REFL PAV MRKR TY II-A-A DOLLARS and CENTS	EA	11,139.000	33
	672	7006		REFL PAV MRKR TY II-C-R DOLLARS and CENTS	EA	5,001.000	34
	3001	7001		FRictional ASPH SURF PRESERV TRTMT DOLLARS and CENTS	SY	1,066,448.00	35

CERTIFICATION OF INTEREST IN OTHER BID PROPOSALS FOR THIS WORK

By signing this proposal, the bidding firm and the signer certify that the following information, as indicated by checking "Yes" or "No" below, is true, accurate, and complete.

- A. Quotation(s) have been issued in this firm's name to other firm(s) interested in this work for consideration for performing a portion of this work.

_____ YES

_____ NO

- B. If this proposal is the low bid, the bidder agrees to provide the following information prior to award of the contract.

1. Identify firms which bid as a prime contractor and from which the bidder received quotations for work on this project.
2. Identify all the firms which bid as a prime contractor to which the bidder gave quotations for work on this project.

ENGINEER SEAL

Control 0066-05-081, ETC.

Project C 66-5-81, ETC.

Highway US 87, ETC.

County MOORE, ETC.

The enclosed Texas Department of Transportation Specifications, Special Specifications, Special Provisions, General Notes and Specification Data in this document have been selected by me, or under my responsible supervision as being applicable to this project. Alteration of a sealed document without proper notification to the responsible engineer is an offense under the Texas Engineering Practice Act.



The seal appearing on this document was authorized by
Vinson, Brandon Mitchell, P.E.
SEPTEMBER 04, 2024

GENERAL NOTES

CSJ: 0066-05-081, ETC			
BASIS OF ESTIMATE FOR CONSTRUCTION			
Item	Description	Unit	Rate
316 ⁽¹⁾	ASPH (AC-20-5TR OR AC-20XP)	GAL	0.58 GAL/SY
	ASPH (A-R TYPE III)	GAL	0.58 GAL/SY
	AGGR (TY-PB GR-3 OR TY-E GR 3) (SAC-A)	CY	110 SY/CY
3028	FRictionAL ASPH SURF PRESERV TRTMT	SY	2.5 LBS/SY MIN
NOTE:			
(1)	See Reference # for Application Rate		

General

Q&A on Proposal or Contractor questions on this project are to be addressed to the Pampa AE navigate to:

<https://tableau.txdot.gov/views/ProjectInformationDashboard/NoticetoContractors>

Use the dashboard to navigate to the project you are interested in by scrolling or filtering the dashboard using the controls on the left. Hover over the blue hyperlink of the project you want to view the Q&A for and click on the link in the window that pops up.

Early review documentation including watermark Plans and CTD will be posted to TxDOT District’s FTP website.

<https://ftp.dot.state.tx.us/pub/txdot-info/Pre-Letting%20Responses/>

See Railroad Scope of Work sheet for insurance and/or other requirements.

Remove all excess material from bridge substructure resulting from all construction including seal coat. This work will not be paid for directly but will be considered subsidiary to various bid items in the contract.

If portions of the right-of-way is used to store materials, equipment, and other uses with the approval of the Engineer, materials, equipment, etc., must either be located outside the 30 feet traffic safety clearance zone or be adequately protected as approved.

Contractor facilities, such as asphalt plants, rock crushers, etc. are not allowed to be located within Department right of way.

Do not store any equipment or material under any bridge.

Any work necessary to provide temporary ingress and egress during construction (such as building gravel ramps, etc.) Will not be paid for directly, but will be considered as subsidiary work to the various bid items.

Item 7 Legal Relations and Responsibilities

Lane closures during the following key dates and/or special events are prohibited:

Special Event	City/Location	Highway/Ref #	Start Date	End Date
Dogie Days Parade	Dumas	SH 152 / REF #2	June 9 th , 2025	June 15 th , 2025
Heritage Days	Spearmen	SH 15 / REF # 7	May 26 th , 2025	June 1 st , 2025
WheatHeart Rodeo & Parade	Perryton	FM 377 / REF # 8	August 21 st , 2025	August 23 rd , 2025
July 4th Celebration	Panhandle	US 60 / REF # 16	July 2 nd , 2025	July 6 th , 2025
White Deer Riding Club Rodeo	White Deer	US 60 / REF # 16	July 24 th , 2025	July 27 th , 2025

Item 8 Prosecution and Progress

Create, maintain, and submit for acceptance a project progress schedule.

Working days will be computed and charged in accordance with Article 8.3.1.2 Six-Day Workweek.

Once all TY II pavement markings are complete Engineer will suspend time until April 6, 2026. Pavement marking items of work are the only type of work allowed to continue beyond the 2025 asphalt season.

The latest work start date is July 16th, 2025. All Seal Coat work must be completed within the 2025 asphalt season.

Lesser Prairie Chicken: From 3/15 to 7/15, project actions will be avoided during the LPC lekking season between the hours of 3 AM and 9 AM. Heavy equipment cannot be operated during this time to avoid noise impacts to LPC. TxDOT will provide an informational packet to project contractors including information on LPC habitat that may occur outside of the ROW and requirements to avoid effects to the LPC or its habitat. PSL locations planned within TxDOT ROW must receive approval from the District Environmental staff prior to installation.

The Lesser Prairie Chicken restrictions will only apply to the following control sections:

LESSER PRAIRE CHICKEN RESTRICTIONS			
County	REF	Highway	CSJ
Ochiltree	8	FM 377	0790-08-024
Lipscomb	9	FM 377	0790-09-013
Lipscomb	10	SH 23	1337-01-028
Lipscomb	11	SH 23	1337-01-027
Lipscomb	12	SH 15	0355-01-053

If sealcoat operations begin after August 5th, 2025 the following references must be completed before the beginning of any sealcoat operations on the remaining contract references.

PROJECT PRIORITY LIST	
REFERENCE #	HIGHWAY
1	US 87
16	US 60
17	US 60
18	US 60
19	US 60
20	US 287

The references above can be sequenced in any order.

When the Contractor has made a final determination of the start date, the Contractor must notify the Engineer a minimum of seven days in advance.

Item 300 Asphalts, Oils, and Emulsions

Asphalt from different sources shall not be blended.

The "Open" season for applying asphaltic materials and mixtures for the listed items shall be as follows, unless authorized otherwise in writing by the Engineer:

ITEMS	OPEN SEASON
316 (AC 20XP or AC 20 5TR)	From May 15 th through August 31 st
316 (AR Binder)	From July 15 th through August 15 th

Item 316 Seal Coat

For the TY E aggregate, meet the requirements of TY B aggregate in Table 1 of Item 302. In addition, the dry loose unit weight of the TY E aggregate will be a maximum of 65 lb/cf when tested in accordance with Tex-404-A. The TY E aggregate will not require precoating.

Remove raised pavement markers prior to surface treatment.

County: MOORE, ETC

Sheet:

Highway: US 87, ETC

Control: 0066-05-081, ETC

WEATHER RESTRICTIONS FOR A-R BINDER: Placement of A-R Binder will not be allowed when there is a 35% or above chance of precipitation for the area within a 24hr period after application. NOAA Forecast will be used to control this item.

In addition to other asphalt distributor requirements, the asphalt distributor shall be capable of providing a transversely varied asphalt rate. The Contractor shall demonstrate that the distributor can apply an asphalt rate outside of the wheel path locations between 22 and 32 percent higher than the asphalt rate being applied in the wheel paths for the nozzle arrangement determined by the Engineer. The Contractor's calibration of the distributor will include verification of this capability and a description of the spray bar(s) and nozzles being used. The percentage difference in asphalt rate provided by each tested spray bar shall be provided to the Engineer. The Engineer will select the pavements where the transversely varied asphalt rate is to be provided.

Item 438 Cleaning Existing Joints:

The intent for this item is to clean out all debris found in existing bridge joints using nondestructive methods approved by engineer.

Item 502 Barricades, Signs, and Traffic Handling

The Contractor Force Account "Safety Contingency" that has been established for this project is intended to be utilized for work zone enhancements, to improve the effectiveness of the Traffic Control Plan, that could not be foreseen in the project planning and design stage. These enhancements will be mutually agreed upon by the Engineer and the Contractor's Responsible Person based on weekly or more frequent traffic management reviews on the project. The Engineer may choose to use existing bid items if it does not slow the implementation of enhancement.

The Contractor is to have the option of using either plastic drums, vertical panels, grabber cones or a combination where drums are shown as channelizing devices, as approved by the Engineer. Plastic drums are to be used in all transition areas in accordance with BC(8)-21 and WZ(TD)-17.

For Two lane / Two way roadways, lane closures are to be limited to a maximum of 15 minute que time.

For all other roadways, lane closures are to be limited to a maximum of 5 Miles.

If more than one lane closure location is desired a minimum of 2 miles passing zone is required between each location.

Notify the Engineer 24 hours prior to any lane closure.

County: MOORE, ETC

Sheet:

Highway: US 87, ETC

Control: 0066-05-081, ETC

Contractor is to use the Texas Manual on Uniform Traffic Control Devices to ensure that no traffic will be stopped within the Rail Road Right of Way. Contractor will not be allowed to send any contraflow traffic through RR crossing without written permission for Rail Road Owner.

Item 503 Portable Changeable Message Sign

Supply 2 Portable Changeable Message Signs (Type II – Lamp Matrix) for this project.

If the Contractor chooses to have more than one lane closure set-up at a time, provide additional

Item 505 Truck Mounted Attenuator (TMA) and Trailer Attenuator (TA)

In addition to the shadow vehicles with truck mounted attenuator (TMA) that are specified as being required on the traffic control plan for this project, provide 0 additional shadow vehicle(s) with TMA for TCP (3-1)-13, (3-2)-13, (7-1)-13, (SC-1)-22, (SC-2)-22, (SC-3)-22, (SC-4)-22, (SC-5)-22, (SC-6)-22, (SC-7)-22 & (SC-8)-22 as detailed on the General Notes of this standard sheets.

Therefore, 2 total shadow vehicles with TMA will be required for this type of work. The Contractor will be responsible for determining if one or more of these operations will be ongoing at the same time to determine the total number of TMAs needed for the project.

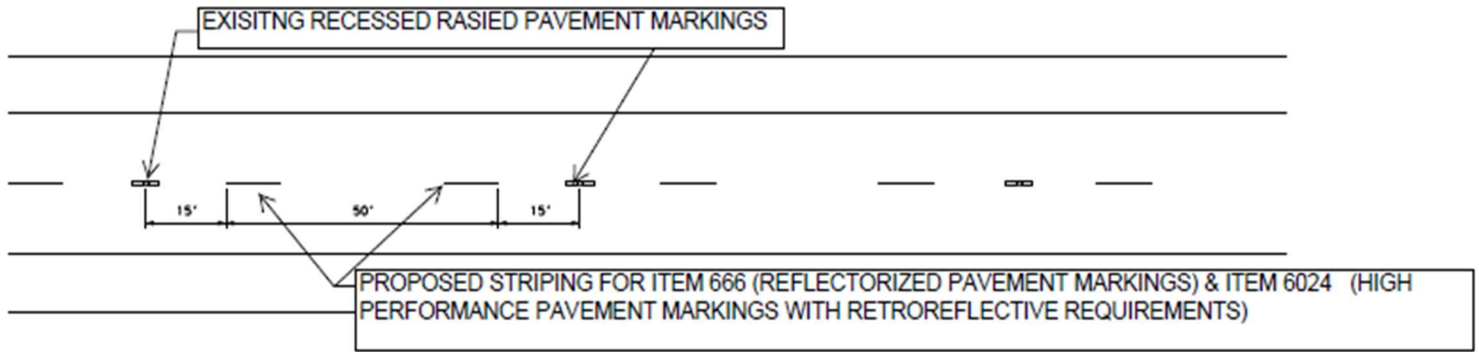
Item 666 Reflectorized Pavement Markings

Retroreflectivity Measurements: Mobile or portable retroreflectometers may be used at the Contractor's discretion.

Apply TY I markings no sooner than October 1, 2025 or as approved by engineer.

Reference all existing striping and other pavement markings to allow these markings to be re-established. Install pavement markings to the new pavement marking standards.

Pavement Striping will be properly spaced in order to maintain proper spacing and location of existing recessed raised pavement markers.



STRIPING AND RECESSED PAVEMENT MARKER SPACING

Item 672 Raised Pavement Markers:

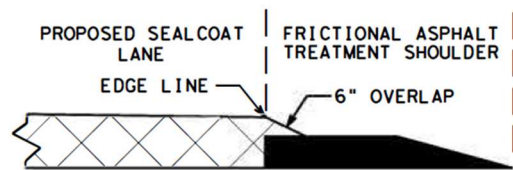
Apply all Raised Pavement Markers no sooner than April 1, 2026 or as approved by engineer.

Remove all existing raised pavement markers and recessed raised pavement markers as directed by the Engineer, removing existing markers will be subsidiary to Item 672.

Place raised pavement markers back in original grooves where recessed raised pavement markings existed.

Item 3001 Frictional Asphaltic Surface Preservation Treatment

The contractor will treat any shoulder that will receive the frictional asphalt treatment as shown in the plans prior to the application of seal coat. Once the frictional asphalt treatment has cured on the shoulders, the seal coat may be applied.



FRictionAL ASPHALT (ONYX)
APPLICATION DETAIL

CONTROL : 0066-05-081, ETC
PROJECT : C 66-5-81, ETC
HIGHWAY : US 87, ETC
COUNTY : MOORE, ETC

TEXAS DEPARTMENT OF TRANSPORTATION

GOVERNING SPECIFICATIONS AND SPECIAL PROVISIONS

ALL SPECIFICATIONS AND SPECIAL PROVISIONS APPLICABLE TO THIS PROJECT ARE IDENTIFIED AS FOLLOWS:

STANDARD SPECIFICATIONS: ADOPTED BY THE TEXAS DEPARTMENT OF
----- TRANSPORTATION SEPTEMBER 1, 2024.
STANDARD SPECIFICATIONS ARE INCORPORATED
INTO THE CONTRACT BY REFERENCE.

ITEMS 1 TO 9 INCL., GENERAL REQUIREMENTS AND COVENANTS
ITEM 316 SEAL COAT <210><300><302><341><520>
ITEM 438 CLEANING AND SEALING JOINTS <454>
ITEM 500 MOBILIZATION
ITEM 502 BARRICADES, SIGNS, AND TRAFFIC HANDLING <503><505><510>
ITEM 503 PORTABLE CHANGEABLE MESSAGE SIGN
ITEM 505 TRUCK-MOUNTED ATTENUATOR (TMA) AND TRAILER ATTENUATOR (TA)
ITEM 662 WORK ZONE PAVEMENT MARKINGS <666><668><672><677>
ITEM 666 RETROREFLECTORIZED PAVEMENT MARKINGS <316><502><662><667>
<677><678>
ITEM 668 PREFABRICATED PAVEMENT MARKINGS AND RUMBLE STRIPS <678>
ITEM 672 RAISED PAVEMENT MARKERS <677><678>

SPECIAL PROVISIONS: SPECIAL PROVISIONS WILL GOVERN AND TAKE
----- PRECEDENCE OVER THE SPECIFICATIONS ENUMERATED
HEREON WHEREVER IN CONFLICT THEREWITH.

SPECIAL LABOR PROVISIONS FOR STATE PROJECTS (000---005)
SPECIAL PROVISION "NONDISCRIMINATION" (000---001)
SPECIAL PROVISION "NOTICE OF CONTRACTOR PERFORMANCE EVALUATIONS"
(000---016)
SPECIAL PROVISION "CERTIFICATE OF INTERESTED PARTIES (FORM 1295)"
(000---017)
SPECIAL PROVISION "IMPORTANT NOTICE TO CONTRACTORS" (000---018)
SPECIAL PROVISION "SMALL BUSINESS ENTERPRISE IN STATEFUNDED PROJECTS"
(000---019)
SPECIAL PROVISION TO ITEM 6 (006---001)
SPECIAL PROVISION TO ITEM 8 (008---002)

SPECIAL PROVISION TO ITEM 502 (502---001)

SPECIAL SPECIFICATIONS:

ITEM 3001 FRICTIONAL ASPHALTIC SURFACE PRESERVATION TREATMENT <204>
<302><316>

GENERAL: THE ABOVE-LISTED SPECIFICATION ITEMS ARE THOSE UNDER WHICH
----- PAYMENT IS TO BE MADE. THESE, TOGETHER WITH SUCH OTHER
PERTINENT ITEMS, IF ANY, AS MAY BE REFERRED TO IN THE ABOVE-
LISTED SPECIFICATION ITEMS, AND INCLUDING THE SPECIAL
PROVISIONS LISTED ABOVE, CONSTITUTE THE COMPLETE SPECIFI-
CATIONS FOR THIS PROJECT.

Control 0066-05-081, ETC.

Project C 66-5-81, ETC.

Highway US 87, ETC.

County MOORE, ETC.

SMALL BUSINESS ENTERPRISE REQUIREMENTS

The following goal for small business enterprises is established:

SBE
0.0%

CHILD SUPPORT STATEMENT

Under Section 231.006, Family Code, the vendor or applicant certifies that the individual or business entity named in this contract, bid, or application is not ineligible to receive the specified grant, loan, or payment and acknowledges that this contract may be terminated and payment may be withheld if this certification is inaccurate.

CONFLICT OF INTEREST CERTIFICATION

Pursuant to Texas Government Code Section 2261.252(b), the Department is prohibited from entering into contracts in which Department officers and employees have a financial interest.

By signing the Contract, the Contractor certifies that it is not prohibited from entering into a Contract with the Department as a result of a financial interest as defined under Texas Government Code Section 2261.252(b), and that it will exercise reasonable care and diligence to prevent any actions or conditions that could result in a conflict of interest with the Department.

The Contractor also certifies that none of the following individuals, nor any of their family members within the second degree of affinity or consanguinity, owns 1% or more interest or has a financial interest as defined under Texas Government Code Section 2261.252(b) in the Contractor:

- Any member of the Texas Transportation Commission; and
- The Department's Executive Director, General Counsel, Chief of Procurement and Field Support Operations, Director of Procurement, and Director of Contract Services.

Violation of this certification may result in action by the Department.

E-VERIFY CERTIFICATION

Pursuant to Texas Transportation Code §223.051, all TxDOT contracts for construction, maintenance, or improvement of a highway must include a provision requiring Contractors and subcontractors to use the U.S. Department of Homeland Security's E-Verify system to determine employment eligibility. By signing the contract, the Contractor certifies that prior to the award of the Contract:

- the Contractor has registered with and will, to the extent permitted by law, utilize the United States Department of Homeland Security's E-Verify system during the term of the Contract to determine the eligibility of all persons hired to perform duties within Texas during the term of the agreement; and
- the Contractor will require that all subcontractors also register with and, to the extent permitted by law, utilize the United States Department of Homeland Security's E-Verify system during the term of the subcontract to determine the eligibility of all persons hired to perform duties within Texas during the term of the agreement.

Violation of this requirement constitutes a material breach of the Contract, subjects a subcontractor to removal from the Contract, and subjects the Contractor or subcontractors to possible sanctions in accordance with Title 43, Texas Administrative Code, Chapter 10, Subchapter F, "Sanctions and Suspension for Ethical Violations by Entities Doing Business with the Department."

Certification Regarding Disclosure of Public Information

Pursuant to Subchapter J, Chapter 552, Texas Government Code, contractors executing a contract with a governmental body that results in the expenditure of at least \$1 million in public funds must:

- 1) preserve all contracting information* as provided by the records retention requirements applicable to Texas Department of Transportation (TxDOT) for the duration of the contract,
- 2) on request of TxDOT, promptly provide any contracting information related to the contract that is in the custody or possession of the entity, and
- 3) on completion of the contract, either:
 - A. provide, at no cost to TxDOT, all contracting information related to the contract that is in the custody or possession of the entity, or
 - B. preserve the contracting information related to the contract as provided by the records retention requirements applicable to TxDOT

The requirements of Subchapter J, Chapter 552, Government Code, may apply to this contract, and the contractor or vendor agrees that the contract can be terminated if the contractor or vendor knowingly or intentionally fails to comply with a requirement of that subchapter.

By entering into Contract, the Contractor agrees to:

- provide, or make available, to TxDOT and any authorized governmental investigating or auditing agency all records, including electronic and payment records related to the contract, for the same period provided by the records retention schedule applicable to TxDOT, and
- ensure that all subcontracts include a clause requiring the same.

* As defined in Government Code §552.003, "Contracting information" means the following information maintained by a governmental body or sent between a governmental body and a vendor, contractor, potential vendor, or potential contractor:

- 1) information in a voucher or contract relating to the receipt or expenditure of public funds by a governmental body;
- 2) solicitation or bid documents relating to a contract with a governmental body;
- 3) communications sent between a governmental body and a vendor, contractor, potential vendor, or potential contractor during the solicitation, evaluation, or negotiation of a contract;
- 4) documents, including bid tabulations, showing the criteria by which a governmental body evaluates each vendor, contractor, potential vendor, or potential contractor responding to a solicitation and, if applicable, an explanation of why the vendor or contractor was selected; and
- 5) communications and other information sent between a governmental body and a vendor or contractor related to the performance of a final contract with the governmental body or work performed on behalf of the governmental body.

CERTIFICATION TO NOT BOYCOTT ISRAEL

Pursuant to Texas Government Code §2271.002, the Department must include a provision requiring a written verification affirming that the Contractor does not boycott Israel, as defined in Government Code §808.001, and will not boycott Israel during the term of the contract. This provision applies to a contract that:

- 1) is with a Contractor that is not a sole proprietorship,
- 2) is with a Contractor with 10 or more full-time employees, and
- 3) has a value of \$100,000 or more.

By signing the contract, the Contractor certifies that it does not boycott Israel and will not boycott Israel during the term of this contract. "Boycott" means refusing to deal with, terminating business activities with, or otherwise taking any action that is intended to penalize, inflict economic harm on, or limit commercial relations specifically with Israel, or with a person or entity doing business in Israel or in an Israeli-controlled territory, but does not include an action made for ordinary business purposes.

Violation of this certification may result in action by the Department.

CERTIFICATION TO NOT BOYCOTT ENERGY COMPANIES

Pursuant to Texas Government Code §2274.002, the Department must include a provision requiring a written verification affirming that the Contractor does not boycott energy companies, as defined in Government Code §809.001, and will not boycott energy companies during the term of the contract. This provision applies to a contract that:

- 1) is with a Contractor that is not a sole proprietorship,
- 2) is with a Contractor with 10 or more full-time employees, and
- 3) has a value of \$100,000 or more.

By signing the contract, the Contractor certifies that it does not boycott energy companies and will not boycott energy companies during the term of this contract. "Boycott" means taking any action that is intended to penalize, inflict economic harm on, or limit commercial relations with a company because the company: (1) engages in the exploration, production, utilization, transportation, sale, or manufacturing of fossil fuel-based energy and does not commit or pledge to meet environmental standards beyond applicable federal and state law; or (2) does business with a company described by (1).

Violation of this certification may result in action by the Department.

CERTIFICATION TO NOT DISCRIMINATE AGAINST FIREARM ENTITIES OR FIREARM TRADE ASSOCIATIONS

Pursuant to Texas Government Code §2274.002, the Department must include a provision requiring a written verification affirming that the Contractor:

- 1) does not have a practice, policy, guidance, or directive that discriminates against a firearm entity or firearm trade association, as defined in Government Code §2274.001, and
- 2) will not discriminate against a firearm entity or firearm trade association during the term of the contract.

This provision applies to a contract that:

- 1) is with a Contractor that is not a sole proprietorship,
- 2) is with a Contractor with 10 or more full-time employees, and
- 3) has a value of \$100,000 or more.

By signing the contract, the Contractor certifies that it does not discriminate against a firearm entity or firearm trade association as described and will not do so during the term of this contract. "Discriminate against a firearm entity or firearm trade association" means, with respect to the entity or association, to: (1) refuse to engage in the trade of any goods or services with the entity or association based solely on its status as a firearm entity or firearm trade association; (2) refrain from continuing an existing business relationship with the entity or association based solely on its status as a firearm entity or firearm trade association; or (3) terminate an existing business relationship with the entity or association based solely on its status as a firearm entity or firearm trade association. "Discriminate against a firearm entity or firearm trade association" does not include: (1) the established policies of a merchant, retail seller, or platform that restrict or prohibit the listing or selling of ammunition, firearms, or firearm accessories; (2) a company's refusal to engage in the trade of any goods or services, decision to refrain from continuing an existing business relationship, or decision to terminate an existing business relationship to comply with federal, state, or local law, policy, or regulations or a directive by a regulatory agency, or for any traditional business reason that is specific to the customer or potential customer and not based solely on an entity's or association's status as a firearm entity or firearm trade association.

Violation of this certification may result in action by the Department.

PROHIBITION ON CERTAIN TELECOMMUNICATIONS EQUIPMENT OR SERVICES

The Federal Register Notice issued the Final Rule and states that the amendment to 2 CFR 200.216 is effective on August 13, 2020. The new 2 CFR 200.471 regulation provides clarity that the telecommunications and video surveillance costs associated with 2 CFR 200.216 are unallowable for services and equipment from these specific providers. OMB's Federal Register Notice includes the new 2 CFR 200.216 and 2 CFR 200.471 regulations.

<https://www.federalregister.gov/documents/2020/08/13/2020-17468/guidance-for-grants-and-agreements>

Per the Federal Law referenced above, use of services, systems, or services or systems that contain components produced by any of the following manufacturers is strictly prohibited for use on this project. Therefore, for any telecommunications, CCTV, or video surveillance equipment, services or systems cannot be manufactured by, or have components manufactured by:

- Huawei Technologies Company,
- ZTE Corporation (any subsidiary and affiliate of such entities),
- Hytera Communications Corporation,
- Hangzhou Hikvision Digital Technology Company,
- Dahua Technology Company (any subsidiary and affiliate of such entities).

Violation of this prohibition will require replacement of the equipment at the contractor's expense.

Special Provision to Item 000

Special Labor Provisions for State Projects



1. GENERAL

This is a "Public Works" Project, as provided under Government Code, Chapter 2258, "Prevailing Wage Rates," and is subject to the provisions of the statute. No provisions in the Contract are intended to conflict with the provisions of the statute.

The Commission has ascertained and indicated in the Special Provisions the regular rate of per diem wages prevailing in each locality for each craft or type of worker. Apply the wage rates contained in the Specifications as minimum wage rates for the Contract.

2. MINIMUM WAGES, HOURS, AND CONDITIONS OF EMPLOYMENT

All workers necessary for the satisfactory completion of the work are within the purview of the Contract.

Whenever and wherever practical, give local citizens preference in the selection of labor.

Do not require any worker to lodge, board, or trade at a particular place, or with a particular person, as a condition of employment.

Do not charge or accept a fee of any from any person who obtains work on the project. Do not require any person who obtains work on the project to pay any fee to any other person or agency obtaining employment for the person on the project.

Do not charge for tools or equipment used in connection with the duties performed, except for loss or damage of property. Do not charge for necessary camp water.

Do not charge for any transportation furnished to any person employed on the project.

The provisions apply where work is performed by piece work and station work. The minimum wage paid will be exclusive of equipment rental on any shipment that the worker or subcontractor may furnish in connection with their work.

Take responsibility for carrying out the requirements of this Specification and ensure that each subcontractor working on the project complies with its provisions.

Any form of subterfuge, coercion, or deduction designated to evade, reduce, or discount the established minimum wage scales will be considered a violation of the Contract.

The Fair Labor Standards Act established one and one-half (1-1/2) pay for overtime in excess of 40 hr. worked in 1 week. Do not consider time consumed by the worker in going to and returning from the place of work as part of the hours of work. Do not require or permit any worker to work more than 40 hr. in 1 week, unless the worker receives compensation at a rate not less than 1-1/2 times the basic rate of pay for all hours worked in excess of 40 hr. in the workweek.

The general rates of per diem wages prevailing in this locality for each class and type of workers whose services are considered necessary to fulfill the Contract are indicated in the Special Provisions, and these rates govern as minimum wage rates on this Contract. A penalty of \$60 per calendar day or portion of a calendar day for each worker who is paid less than the stipulated general rates of per diem wages for any work done under the Contract will be deducted. The Department, upon receipt of a complaint by a worker,

will determine within 30 days whether good cause exists to believe that the Contractor or a subcontractor has violated wage rate requirements and notify the parties involved of the findings. Make every effort to resolve the alleged violation within 14 days after notification. The next alternative is submittal to binding arbitration in accordance with the provisions of the Texas General Arbitration Act (Article 224 et seq., "Revised Statutes").

Notwithstanding any other provision of the Contract, covenant and agree that the Contractor and its subcontractors will pay each of their employees and contract labor engaged in any way in work under the Contract, a wage not less than what is generally known as the "federal minimum wage" in accordance with 29 USC § 206 as that statute may be amended from time to time.

Pay any worker employed whose position is not listed in the Contract, a wage not less than the per diem wage rate established in the Contract for a worker whose duties are most nearly comparable.

3. RECORD AND INSPECTIONS

Keep copies of weekly payrolls for review. Require subcontractors to keep copies of weekly payrolls for review. Show the name, occupation, number of hours worked each day, and per diem wage paid each worker together with a complete record of all deductions made from such wages. Keep records for a period of 3 yr. from the date of completion of the Contract.

Where the piece-work method is used, indicate on the payroll for each person involved:

- quantity of piece work performed,
- price paid per piece-work unit, and
- total hours employed.

The Engineer may require the Contractor to file an affidavit for each payroll certifying that payroll is a true and accurate report of the full wages due and paid to each person employed.

Post or make available to employees the prevailing wage rates from the Contract. Require subcontractors to post or make available to employees the prevailing wage rates from the Contract.

The wage rates listed herein are those predetermined by the Secretary of Labor and State Statute and listed in the United States Department of Labor's (USDOL) General Decisions dated 01-05-2024 and are the minimum wages to be paid accordingly for each specified classification. To determine the applicable wage rate zone, a list entitled "TEXAS COUNTIES IDENTIFIED BY WAGE RATE ZONES" is provided in the contract. Any wage rate that is not listed herein and not in the USDOL's general decision, must be requested by the contractor through the completion of an Additional Classification and Wage Rate Request and be submitted for approval. IMPORTANT NOTICE FOR STATE PROJECTS: only the controlling wage rate zone applies to the contract. Effective 01-05-2024.

CLASS. #	CLASSIFICATION DESCRIPTION	ZONE TX02 *(TX20240002)	ZONE TX03 *(TX20240003)	ZONE TX04 *(TX20240004)	ZONE TX05 *(TX20240005)	ZONE TX06 *(TX20240006)	ZONE TX07 *(TX20240007)	ZONE TX08 *(TX20240008)	ZONE TX24 *(TX20240024)	ZONE TX25 *(TX20240025)	ZONE TX27 *(TX20240027)	ZONE TX28 *(TX20240028)	ZONE TX29 *(TX20240029)	ZONE TX30 *(TX20240030)	ZONE TX37 *(TX20240037)	ZONE TX38 *(TX20240038)	ZONE TX42 *(TX20240042)
1428	Agricultural Tractor Operator						\$12.69					\$12.35			\$11.75		
1300	Asphalt Distributor Operator	\$14.87	\$13.48	\$13.88	\$15.72	\$15.58	\$15.55	\$15.72	\$13.28	\$15.32	\$15.62	\$14.36	\$14.25	\$14.03	\$13.75	\$14.06	\$14.40
1303	Asphalt Paving Machine Operator	\$13.40	\$12.25	\$12.35	\$13.87	\$14.05	\$14.36	\$14.20	\$13.26	\$13.99	\$14.68	\$12.92	\$13.44	\$12.53	\$14.00	\$14.32	\$12.99
1106	Asphalt Raker	\$12.28	\$10.61	\$12.02	\$14.21	\$11.65	\$12.12	\$11.64	\$11.44	\$12.69	\$12.05	\$11.34	\$11.67	\$11.40	\$12.59	\$12.36	\$11.78
1112	Batching Plant Operator, Asphalt																
1115	Batching Plant Operator, Concrete																
1214	Blaster																
1615	Boom Truck Operator						\$18.36										
1444	Boring Machine Operator																
1305	Broom or Sweeper Operator	\$11.21	\$10.33	\$10.08	\$11.99		\$11.04	\$11.62		\$11.74	\$11.41	\$10.30		\$10.23	\$10.60	\$12.68	\$11.05
1144	Communications Cable Installer																
1124	Concrete Finisher, Paving and Structures	\$13.55	\$12.46	\$13.16	\$12.85	\$12.64	\$12.56	\$12.77	\$12.44	\$14.12	\$13.04	\$13.38	\$12.64	\$12.80	\$12.79	\$12.98	\$13.32
1318	Concrete Pavement Finishing Machine Operator				\$16.05		\$15.48			\$16.05		\$19.31				\$13.07	
1315	Concrete Paving, Curing, Float, Texturing Machine Operator											\$16.34				\$11.71	
1333	Concrete Saw Operator				\$14.67					\$14.48	\$17.33					\$13.99	
1399	Concrete/Gunite Pump Operator																
1344	Crane Operator, Hydraulic 60 tons or less				\$18.22		\$18.36			\$18.12	\$18.04	\$20.21			\$18.63	\$13.86	
1345	Crane Operator, Hydraulic Over 80 Tons																
1342	Crane Operator, Lattice Boom 80 Tons or Less	\$16.82	\$14.39	\$13.85	\$17.27		\$15.87			\$17.27		\$14.67			\$16.42	\$14.97	\$13.87
1343	Crane Operator, Lattice Boom Over 80 Tons				\$20.52		\$19.38			\$20.52		\$17.49			\$25.13	\$15.80	
1306	Crawler Tractor Operator	\$13.96	\$16.63	\$13.62	\$14.26		\$15.67			\$14.07	\$13.15	\$13.38			\$14.60	\$13.68	\$13.50
1351	Crusher or Screen Plant Operator																
1446	Directional Drilling Locator						\$11.67										
1445	Directional Drilling Operator				\$20.32		\$17.24										
1139	Electrician	\$20.96		\$19.87	\$19.80		\$26.35		\$20.27	\$19.80		\$20.92				\$27.11	\$19.87
1347	Excavator Operator, 50,000 pounds or less	\$13.46	\$12.56	\$13.67	\$17.19		\$12.88	\$14.38	\$13.49	\$17.19		\$13.88			\$14.09	\$12.71	\$14.42
1348	Excavator Operator, Over 50,000 pounds		\$15.23	\$13.52	\$17.04		\$17.71			\$16.99	\$18.80	\$16.22				\$14.53	\$13.52
1150	Flagger	\$9.30	\$9.10	\$8.50	\$10.28	\$8.81	\$9.45	\$8.70		\$10.06	\$9.71	\$9.03	\$8.81	\$9.08	\$9.90	\$10.33	\$8.10
1151	Form Builder/Setter, Structures	\$13.52	\$12.30	\$13.38	\$12.91	\$12.71	\$12.87	\$12.38	\$12.26	\$13.84	\$12.98	\$13.07	\$13.61	\$12.82	\$14.73	\$12.23	\$12.25
1160	Form Setter, Paving & Curb	\$12.36	\$12.16	\$13.93	\$11.83	\$10.71	\$12.94			\$13.16	\$12.54	\$11.33	\$10.69		\$13.33	\$12.34	\$13.93
1360	Foundation Drill Operator, Crawler Mounted				\$17.99					\$17.99						\$17.43	
1363	Foundation Drill Operator, Truck Mounted		\$16.86	\$22.05	\$21.51		\$16.93			\$21.07	\$20.20	\$20.76		\$17.54	\$21.39	\$15.89	\$22.05
1369	Front End Loader Operator, 3 CY or Less	\$12.28	\$13.49	\$13.40	\$13.85		\$13.04	\$13.15	\$13.29	\$13.69	\$12.64	\$12.89			\$13.51	\$13.32	\$12.17
1372	Front End Loader Operator, Over 3 CY	\$12.77	\$13.69	\$12.33	\$14.96		\$13.21	\$12.86	\$13.57	\$14.72	\$13.75	\$12.32			\$13.19	\$13.17	\$13.02
1329	Joint Sealer																
1172	Laborer, Common	\$10.30	\$9.86	\$10.08	\$10.51	\$10.71	\$10.50	\$10.24	\$10.58	\$10.72	\$10.45	\$10.30	\$10.25	\$10.03	\$10.54	\$11.02	\$10.15
1175	Laborer, Utility	\$11.80	\$11.53	\$12.70	\$12.17	\$11.81	\$12.27	\$12.11	\$11.33	\$12.32	\$11.80	\$11.53	\$11.23	\$11.50	\$11.95	\$11.73	\$12.37
1346	Loader/Backhoe Operator	\$14.18	\$12.77	\$12.97	\$15.68		\$14.12			\$15.18	\$13.58	\$12.87		\$13.21	\$14.13	\$14.29	\$12.90
1187	Mechanic	\$20.14	\$15.47	\$17.47	\$17.74	\$17.00	\$17.10			\$17.68	\$18.94	\$18.58	\$17.00	\$16.61	\$18.46	\$16.96	\$17.47

CLASS. #	CLASSIFICATION DESCRIPTION	ZONE TX02 *(TX20240002)	ZONE TX03 *(TX20240003)	ZONE TX04 *(TX20240004)	ZONE TX05 *(TX20240005)	ZONE TX06 *(TX20240006)	ZONE TX07 *(TX20240007)	ZONE TX08 *(TX20240008)	ZONE TX24 *(TX20240024)	ZONE TX25 *(TX20240025)	ZONE TX27 *(TX20240027)	ZONE TX28 *(TX20240028)	ZONE TX29 *(TX20240029)	ZONE TX30 *(TX20240030)	ZONE TX37 *(TX20240037)	ZONE TX38 *(TX20240038)	ZONE TX42 *(TX20240042)
1380	Milling Machine Operator Motor Grader Operator,	\$15.54	\$14.64	\$12.22	\$14.29		\$14.18			\$14.32	\$14.35	\$12.86			\$14.75	\$13.53	\$12.80
1390	Fine Grade	\$17.49	\$16.52	\$16.88	\$17.12	\$18.37	\$18.51	\$16.69	\$16.13	\$17.19	\$18.35	\$17.07	\$17.74	\$17.47	\$17.08	\$15.69	\$20.01
1393	Motor Grader Operator, Rough	\$16.15	\$14.62	\$15.83	\$16.20	\$17.07	\$14.63	\$18.50		\$16.02	\$16.44	\$15.12	\$16.85	\$14.47	\$17.39	\$14.23	\$15.53
1413	Off Road Hauler			\$10.08	\$12.26		\$11.88			\$12.25		\$12.23			\$13.00	\$14.60	
1196	Painter, Structures Pavement Marking Machine Operator					\$21.29	\$18.34						\$21.29			\$18.62	
1396		\$16.42		\$13.10	\$13.55		\$19.17	\$12.01		\$13.63	\$14.60	\$13.17		\$16.65	\$10.54	\$11.18	\$13.10
1443	Percussion or Rotary Drill Operator																
1202	Piledriver															\$14.95	
1205	Pipelayer		\$11.87	\$14.64	\$13.17	\$11.17	\$12.79		\$11.37	\$13.24	\$12.66	\$13.24	\$11.17	\$11.67		\$12.12	\$14.64
1384	Reclaimer/Pulverizer Operator	\$12.85			\$11.90		\$12.88			\$11.01		\$10.46					
1500	Reinforcing Steel Worker	\$13.50	\$14.07	\$17.53	\$16.17		\$14.00			\$16.18	\$12.74	\$15.83		\$17.10		\$15.15	\$17.72
1402	Roller Operator, Asphalt	\$10.95		\$11.96	\$13.29		\$12.78	\$11.61		\$13.08	\$12.36	\$11.68			\$11.71	\$11.95	\$11.50
1405	Roller Operator, Other	\$10.36		\$10.44	\$11.82		\$10.50	\$11.64		\$11.51	\$10.59	\$10.30		\$12.04	\$12.85	\$11.57	\$10.66
1411	Scraper Operator	\$10.61	\$11.07	\$10.85	\$12.88		\$12.27		\$11.12	\$12.96	\$11.88	\$12.43		\$11.22	\$13.95	\$13.47	\$10.89
1417	Self-Propelled Hammer Operator																
1194	Servicer	\$13.98	\$12.34	\$14.11	\$14.74		\$14.51	\$15.56	\$13.44	\$14.58	\$14.31	\$13.83		\$12.43	\$13.72	\$13.97	\$14.11
1513	Sign Erector Slurry Seal or Micro-Surfacing Machine Operator																
1708																	
1341	Small Slipform Machine Operator									\$15.96							
1515	Spreader Box Operator	\$12.60		\$13.12	\$14.71		\$14.04			\$14.73	\$13.84	\$13.68		\$13.45	\$11.83	\$13.58	\$14.05
1705	Structural Steel Welder															\$12.85	
1509	Structural Steel Worker						\$19.29									\$14.39	
1339	Subgrade Trimmer																
1143	Telecommunication Technician																
1145	Traffic Signal/Light Pole Worker						\$16.00										
1440	Trenching Machine Operator, Heavy						\$18.48										
1437	Trenching Machine Operator, Light																
1609	Truck Driver Lowboy-Float	\$14.46	\$13.63	\$13.41	\$15.00	\$15.93	\$15.66			\$16.24	\$16.39	\$14.30	\$16.62	\$15.63	\$14.28	\$16.03	\$13.41
1612	Truck Driver Transit-Mix				\$14.14					\$14.14							
1600	Truck Driver, Single Axle Truck Driver, Single or Tandem Axle Dump Truck	\$12.74	\$10.82	\$10.75	\$13.04	\$11.61	\$11.79	\$13.53	\$13.16	\$12.31	\$13.40	\$10.30	\$11.61		\$11.97	\$11.46	\$10.75
1606	Truck Driver, Tandem Axle Tractor with Semi Trailer	\$11.33	\$14.53	\$11.95	\$12.95		\$11.68		\$14.06	\$12.62	\$11.45	\$12.28		\$13.08	\$11.68	\$11.48	\$11.10
1607	Tunneling Machine Operator, Heavy	\$12.49	\$12.12	\$12.50	\$13.42		\$12.81	\$13.16		\$12.86	\$16.22	\$12.50			\$13.80	\$12.27	\$12.50
1441	Tunneling Machine Operator, Light																
1706	Welder		\$14.02		\$14.86		\$15.97		\$13.74	\$14.84					\$13.78		
1520	Work Zone Barricade Servicer	\$10.30	\$12.88	\$11.46	\$11.70	\$11.57	\$11.85	\$10.77		\$11.68	\$12.20	\$11.22	\$11.51	\$12.96	\$10.54	\$11.67	\$11.76

Notes:

*Represents the USDOL wage decision.

Any worker employed on this project shall be paid at the rate of one and one half (1-1/2) times the regular rate for every hour worked in excess of forty (40) hours per week.

For reference, the titles and descriptions for the classifications listed here are detailed further in the AGC of Texas' *Standard Job Classifications and Descriptions for Highway, Heavy, Utilities, and Industrial Construction in Texas* posted on the AGC's Web site for any contractor.

**TEXAS COUNTIES IDENTIFIED BY
WAGE RATE ZONES: 2, 3, 4, 5, 6, 7, 8, 24, 25, 27, 28, 29, 30, 37, 38, 42**

County Name	Zone	County Name	Zone	County Name	Zone	County Name	Zone
Anderson	28	Donley	37	Karnes	27	Reagan	37
Andrews	37	Duval	30	Kaufman	25	Real	37
Angelina	28	Eastland	37	Kendall	7	Red River	28
Aransas	29	Ector	2	Kenedy	30	Reeves	8
Archer	25	Edwards	8	Kent	37	Refugio	27
Armstrong	2	El Paso	24	Kerr	27	Roberts	37
Atascosa	7	Ellis	25	Kimble	37	Robertson	7
Austin	38	Erath	28	King	37	Rockwall	25
Bailey	37	Falls	28	Kinney	8	Runnels	37
Bandera	7	Fannin	28	Kleberg	27	Rusk	4
Bastrop	7	Fayette	27	Knox	37	Sabine	28
Baylor	37	Fisher	37	Lamar	28	San Augustine	28
Bee	27	Floyd	37	Lamb	37	San Jacinto	38
Bell	7	Foard	37	Lampasas	7	San Patricio	29
Bexar	7	Fort Bend	38	LaSalle	30	San Saba	37
Blanco	27	Franklin	28	Lavaca	27	Schleicher	37
Borden	37	Freestone	28	Lee	27	Scurry	37
Bosque	28	Frio	27	Leon	28	Shackelford	37
Bowie	4	Gaines	37	Liberty	38	Shelby	28
Brazoria	38	Galveston	38	Limestone	28	Sherman	37
Brazos	7	Garza	37	Lipscomb	37	Smith	4
Brewster	8	Gillespie	27	Live Oak	27	Somervell	28
Briscoe	37	Glasscock	37	Llano	27	Starr	30
Brooks	30	Goliad	29	Loving	37	Stephens	37
Brown	37	Gonzales	27	Lubbock	2	Sterling	37
Burleson	7	Gray	37	Lynn	37	Stonewall	37
Burnet	27	Grayson	25	Madison	28	Sutton	8
Caldwell	7	Gregg	4	Marion	28	Swisher	37
Calhoun	29	Grimes	28	Martin	37	Tarrant	25
Callahan	25	Guadalupe	7	Mason	27	Taylor	2
Cameron	3	Hale	37	Matagorda	27	Terrell	8
Camp	28	Hall	37	Maverick	30	Terry	37
Carson	2	Hamilton	28	McCulloch	37	Throckmorton	37
Cass	28	Hansford	37	McLennan	7	Titus	28
Castro	37	Hardeman	37	McMullen	30	Tom Green	2
Chambers	38	Hardin	38	Medina	7	Travis	7
Cherokee	28	Harris	38	Menard	37	Trinity	28
Childress	37	Harrison	42	Midland	2	Tyler	28
Clay	25	Hartley	37	Milam	28	Upshur	4
Cochran	37	Haskell	37	Mills	37	Upton	37
Coke	37	Hays	7	Mitchell	37	Uvalde	30
Coleman	37	Hemphill	37	Montague	37	Val Verde	8
Collin	25	Henderson	28	Montgomery	38	Van Zandt	28
Collingsworth	37	Hidalgo	3	Moore	37	Victoria	6
Colorado	27	Hill	28	Morris	28	Walker	28
Comal	7	Hockley	37	Motley	37	Waller	38
Comanche	37	Hood	28	Nacogdoches	28	Ward	37
Concho	37	Hopkins	28	Navarro	28	Washington	28
Cooke	37	Houston	28	Newton	28	Webb	3
Coryell	7	Howard	37	Nolan	37	Wharton	27
Cottle	37	Hudspeth	8	Nueces	29	Wheeler	37
Crane	37	Hunt	25	Ochiltree	37	Wichita	5
Crockett	8	Hutchinson	37	Oldham	37	Wilbarger	37
Crosby	2	Irion	2	Orange	38	Willacy	30
Culberson	8	Jack	28	Palo Pinto	28	Williamson	7
Dallam	37	Jackson	27	Panola	28	Wilson	7
Dallas	25	Jasper	28	Parker	25	Winkler	37
Dawson	37	Jeff Davis	8	Parmer	37	Wise	25
Deaf Smith	37	Jefferson	38	Pecos	8	Wood	28
Delta	25	Jim Hogg	30	Polk	28	Yoakum	37
Denton	25	Jim Wells	27	Potter	2	Young	37
DeWitt	27	Johnson	25	Presidio	8	Zapata	30
Dickens	37	Jones	25	Rains	28	Zavala	30
Dimmit	30			Randall	2		

Special Provision to Item 000

Nondiscrimination



1. DESCRIPTION

All recipients of federal financial assistance are required to comply with various nondiscrimination laws, including Title VI of the Civil Rights Act of 1964, as amended (Title VI). Title VI forbids discrimination against anyone in the United States on the grounds of race, color, or national origin by any agency receiving federal funds.

The Texas Department of Transportation, as a recipient of federal financial assistance, and under Title VI and related statutes, ensures that no person will on the grounds of race, religion (where the primary objective of the financial assistance is to provide employment in accordance with 42 USC 2000d-3), color, national origin, sex, age, or disability be excluded from participation in, be denied the benefits of, or otherwise be subjected to discrimination under any Department programs or activities.

2. DEFINITION OF TERMS

Where the term "Contractor" appears in the following six nondiscrimination clauses, the term "Contractor" is understood to include all parties to Contracts or agreements with the Department.

3. NONDISCRIMINATION PROVISIONS

During the performance of this Contract, the Contractor agrees as follows.

- 3.1. **Compliance with Regulations.** The Contractor must comply with the Regulations pertinent to nondiscrimination in federally assisted programs of the United States Department of Transportation 49 CFR 21, as they may be amended from time to time, (hereinafter referred to as the Regulations), which are herein incorporated by reference and made a part of this Contract.
- 3.2. **Nondiscrimination.** The Contractor, regarding the work performed during the Contract, must not discriminate on the grounds of race, color, or national origin in the selection and retention of subcontractors, including procurements of materials and leases of equipment. The Contractor must not participate either directly or indirectly in the discrimination prohibited by Section 21.5 of the Regulations, including employment practices when the Contract covers a program set forth in Appendix B of the Regulations.
- 3.3. **Solicitations for Subcontracts, Including Procurements of Materials and Equipment.** In all solicitations either by competitive bidding or negotiation made by the Contractor for work to be performed under a subcontract, including procurements of materials or leases of equipment, the Contractor must notify each potential subcontractor or supplier of the Contractor's obligations under this Contract and the Regulations relative to nondiscrimination on the grounds of race, color, or national origin.
- 3.4. **Information and Reports.** The Contractor must provide all information and reports required by the Regulations or directives issued pursuant thereto, and must permit access to its books, records, accounts, other sources of information, and facilities as may be determined by the Recipient or the Department to be pertinent to ascertain compliance with such Regulations, orders, and instructions. Where any information required of a Contractor is in the exclusive possession of another who fails or refuses to furnish this information, the Contractor must so certify to the Recipient, or the Department as appropriate, and must set forth what efforts it has made to obtain the information.
- 3.5. **Sanctions for Noncompliance.** In the event of the Contractor's noncompliance with the nondiscrimination provisions of this Contract, the Recipient must impose such Contract sanctions as it or the Department may

determine to be appropriate, including, but not limited to actions defined in Article 7.1., "Ethics," or Article 5.1., "Authority of Engineer."

- 3.6. **Incorporation of Provisions.** The Contractor must include the provisions of Sections 3.1–3.6 in every subcontract, including procurements of materials and leases of equipment, unless exempt by the Regulations or directives issued pursuant thereto. The Contractor must take such action with respect to any subcontract or procurement as the Recipient or the Department may direct as a means of enforcing such provisions, including sanctions for noncompliance: Provided, however, that, in the event a Contractor becomes involved in, or is threatened with, litigation with a subcontractor or supplier as a result of such direction, the Contractor may request the Recipient to enter into such litigation to protect the interests of the Recipient, and, in addition, the Contractor may request the United States to enter into such litigation to protect the interests of the United States.

Special Provision 000

Important Notice to Contractors



1. GENERAL

In accordance with Texas Transportation Code §223.012, the Engineer will evaluate Contractor performance based on quality, safety, and timeliness of the project.

2. DEFINITIONS

- 2.1. **Project Recovery Plan (PRP).** A formal, enforceable plan developed by the Contractor, in consultation with the District, that documents the cause of noted quality, safety, and timeliness issues and specifies how the Contractor proposes to correct project-specific performance deficiencies.

In accordance with 43 TAC §9.23, the District will request a PRP if the Contractor's performance on a project is below the Department's acceptable standards and will monitor the Contractor's compliance with the established plan.

- 2.2. **Corrective Action Plan (CAP).** A formal, enforceable plan developed by the Contractor, and proposed for adoption by the Construction Division or Maintenance Division, that documents the cause of noted quality, safety, and timeliness issues and specifies how the Contractor proposes to correct statewide performance deficiencies.

3. CONTRACTOR EVALUATIONS

In accordance with 43 TAC §9.23, the Engineer will schedule evaluations at the following intervals, at minimum:

- interim evaluations at or within 30 days after the anniversary of the Notice to Proceed, for Contracts extending beyond 1 yr. and
- final evaluation, upon project closeout.

In case of a takeover agreement, neither the Surety nor its performing Contractor will be evaluated.

In addition to regularly scheduled evaluations, the Engineer may schedule an interim evaluation at any time to formally communicate issues with quality, safety, or timeliness. Upon request, work with the Engineer to develop a PRP to document expectations for correcting deficiencies.

Comply with the PRP as directed. Failure to comply with the PRP may result in additional remedial actions available to the Engineer under Item 5, "Control of the Work." Failure to meet a PRP to the Engineer's satisfaction may result in immediate referral to the Performance Review Committee for consideration of further action against the Contractor.

The Engineer will consider and document any events outside the Contractor's control that contributed to the failure to meet performance standards or comply with a PRP, including consideration of sufficient time.

Follow the escalation ladder if there is a disagreement regarding an evaluation or disposition of a PRP. The Contractor may submit additional documentation pertaining to the dispute. The District Engineer's decision on a Contractor's evaluation score and recommendation of action required in a PRP or follow-up for noncompliance is final.

4. DIVISION OVERSIGHT

Upon request of the Construction Division or Maintenance Division, develop and submit for Division approval a proposed CAP to document expectations for correcting deficiencies in the performance of projects statewide.

Comply with the CAP as directed. The CAP may be modified at any time up to completion or resolution after written approval of the premise of change from the Division. Failure to meet an adopted or revised adopted CAP to the Division's satisfaction within 120 days will result in immediate referral to the Performance Review Committee for consideration of further action against the Contractor.

The Division will consider and document any events outside the Contractor's control that contributed to the failure to meet performance standards or comply with a CAP, including consideration of sufficient time and associated costs as appropriate.

5. PERFORMANCE REVIEW COMMITTEE

The Performance Review Committee, in accordance with 43 TAC §9.24, will review at minimum all final evaluations, history of compliance with PRPs, any adopted CAPs including agreed modifications, any information about events outside a Contractor's control contributing to the Contractor's performance, and any documentation submitted by the Contractor and may recommend one or more of the following actions:

- take no action,
- reduce the Contractor's bidding capacity,
- prohibit the Contractor from bidding on one or more projects,
- immediately suspend the Contractor from bidding for a specified period of time, by reducing the Contractor's bidding capacity to zero, or
- prohibit the Contractor from being awarded a Contract on which they are the apparent low bidder.

The Deputy Executive Director will determine any further action against the Contractor.

6. APPEALS PROCESS

In accordance with 43 TAC §9.25, the Contractor may appeal remedial actions determined by the Deputy Executive Director.

Special Provision 000

Certificate of Interested Parties (Form 1295)



Submit Form 1295, "Certificate of Interested Parties," in the following instances:

- at Contract execution for Contracts awarded by the Commission,
- at Contract execution for Contracts awarded by the District Engineer or Chief Engineer with an award amount of \$1 million or more,
- at any time an existing Contract awarded by the District Engineer or Chief Engineer increases in value to \$1 million or more because of changes in the Contract,
- at any time there is an increase of \$1 million or more to an existing Contract (e.g., change orders, extensions, and renewals), and
- at any time there is a change to the information in Form 1295, when the form was filed for an existing Contract.

Form 1295 and instructions for completing and filing the form are available on the Texas Ethics Commission website.

Special Provision 000

Important Notice to Contractors



Table 1
Daily Contract Administration Liquidated Damages

For Dollar Amount of Original Contract		Dollar Amount of Daily Contract Administration Liquidated Damages per Working Day
From More Than	To and Including	
0	1,000,000	618
1,000,000	3,000,000	832
3,000,000	5,000,000	940
5,000,000	15,000,000	1,317
15,000,000	25,000,000	1,718
25,000,000	50,000,000	2,411
50,000,000	Over 50,000,000	4,265

In addition to the amount shown in Table 1, the liquidated damages will be increased by the amount shown in Item 8 of the General Notes for Road User Cost (RUC), when applicable.

Special Provision to Item 000

Small Business Enterprise in State-Funded Projects



1. DESCRIPTION

The purpose of this Special Provision is to implement the Department's policy of ensuring that SBEs have an opportunity to participate in the performance of Contracts. If the SBE goal is greater than zero, Section 2.1., "Article A—SBE Goal is Greater than Zero," will apply to this Contract; otherwise, Section 2.2., "Article B—No SBE Goal," will apply. The percentage goal for SBE participation in the work to be performed under this Contract will be in accordance with the proposal.

2. DEFINITIONS

A Small Business Enterprise (SBE) is a firm certified as such by the Department. Firms certified as Historically Underutilized Businesses (HUBs) by the Texas Comptroller of Public Accounts and as Disadvantaged Business Enterprises (DBEs) by the Texas Uniform Certification Program automatically qualify as SBEs.

2.1. Article A—SBE Goal is Greater than Zero.

2.1.1. Policy. The Department is committed to providing contracting opportunities for small businesses. Therefore, it is the Department's policy to develop and maintain a program to facilitate contracting opportunities for small businesses. Consequently, the requirements of the Department's SBE Program apply to this Contract as follows.

The Contractor will make a good faith effort to meet the SBE goal for this Contract.

The Contractor and any subcontractors will not discriminate on the basis of race, color, national origin, age, disability, or sex in the award and performance of this Contract. These nondiscrimination requirements must be incorporated into any subcontract and purchase order.

After a conditional award is made to the low Bidder, the Department will determine the adequacy of a Contractor's efforts to meet the Contract goal, in accordance with Section 2.1.2., "Contractor's Responsibilities." If the requirements in accordance with Section 2.1.2., "Contractor's Responsibilities," are met, the Contract will be forwarded to the Contractor for execution.

The Contractor's performance in meeting the SBE goal during the construction period of the Contract will be monitored by the Department.

2.1.2. Contractor's Responsibilities. These requirements must be satisfied by the Contractor. An SBE Contractor may satisfy the SBE requirements by performing at least 25% of the Contract work with their own organization in accordance with Item 8, "Prosecution and Progress."

The Contractor must complete an SBE Commitment Agreement Form for each SBE-certified firm the Contractor intends to use to satisfy the SBE goal. The SBE Commitment Agreement Form must be submitted to the Department's Civil Rights Division (CIV) in Austin, Texas, no later than 5 P.M. on the 10th business day, excluding national holidays, after the conditional award of the Contract. When requested, additional time not to exceed 7 business days, excluding national holidays, may be granted based on documentation submitted by the Contractor.

A Contractor that cannot meet the Contract goal, in whole or in part, must document the good faith efforts taken to meet the SBE goal. The Department will consider as good faith efforts all documented explanations

that are submitted and that describe a Contractor's failure to meet an SBE goal or obtain SBE participation, including:

- advertising in general circulation, trade association, and minority- or women-focused media regarding subcontracting opportunities,
- dividing the Contract work into reasonable portions in conformance with standard industry practices,
- documenting reasons for rejection or meeting with the rejected SBE to discuss the rejection,
- providing qualified SBEs with adequate information pertinent to bonding, insurance, plans, Specifications, scope of work, and the requirements of the Contract,
- negotiating in good faith with qualified SBEs, not rejecting qualified SBEs that are also the lowest responsive Bidder; and
- using the services of available minorities and women; community organizations; Contractor groups; local, state, and federal business assistance offices; and other organizations that provide support services to SBEs.

The good faith effort documentation is due at the time and place in accordance with this Section. CIV will evaluate the Contractor's documentation. If it is determined that the Contractor has failed to meet the good faith effort requirements, the Contractor will be given an opportunity for reconsideration by the Department.

Should the Bidder to which the Contract is conditionally awarded refuse, neglect, or fail to meet the SBE goal or demonstrate to the Department's satisfaction sufficient efforts to obtain SBE participation, the proposal guaranty filed with the bid will become the property of the State, not as a penalty, but as liquidated damages.

The Contractor must not terminate an SBE subcontractor submitted on a commitment agreement for a Contract with an assigned goal without the prior written consent of the Department.

The Contractor must designate an SBE contact person who will administer the Contractor's SBE program and who will be responsible for submitting reports, maintaining records, and documenting good faith efforts to use SBEs.

The Contractor must inform the Department of the representative's name, title, and telephone number within 10 days of beginning work.

2.1.3. **Eligibility of SBEs.** The Department certifies the eligibility of SBEs.

Firms certified as SBEs are listed in the Department's online directory located at <https://txdot.txdotcms.com/>.

Only firms certified at the time of letting or at the time the commitments are submitted are eligible to be used in the information furnished by the Contractor in accordance with Section 2.1.2., "Contractor's Responsibilities."

Certified HUBs and DBEs are eligible as SBEs.

The Department's SBE Program is governed by 43 TAC, Chapter 9, Subchapter K, "Small Business Enterprise (SBE) Program."

2.1.4. **Determination of SBE Participation.** SBE participation will be counted toward meeting the SBE goal in this Contract in accordance with the following.

A Contractor will receive credit for all payments actually made to an SBE for work performed and costs incurred in accordance with the Contract, including all subcontracted work.

An SBE Contractor or subcontractor may not subcontract more than 75% of a Contract. The SBE must perform no less than 25% of the value of the Contract work with their own organization in accordance with Item 8.

An SBE may lease equipment consistent with standard industry practice. An SBE may lease equipment from the prime Contractor if a rental agreement, separate from the subcontract specifying the terms of the lease arrangement, is approved by the Department before the SBE starting the work in accordance with the following.

- If the equipment is of a specialized nature, the lease may include the operator. If the practice is generally acceptable with the industry, the operator may remain on the lessor's payroll. The operator of the equipment must be subject to the full control of the SBE, for a short term, and involve a specialized piece of heavy equipment readily available at the jobsite.
- For equipment that is not specialized, the SBE must provide the operator and be responsible for all payroll and labor compliance requirements.

- 2.1.5. **Records and Reports.** The Contractor must submit monthly reports of SBE payments (including payments to HUBs and DBEs) to the Area Engineer's Office after work begins. These reports will be due within 15 days after the end of a calendar month.

These reports will be required until all SBE subcontracting or supply activity is completed. The SBE Progress Report must be used for monthly reporting. Upon completion of the Contract and before receiving the final payment, the Contractor must submit the SBE Final Report to the Area Engineer's Office and a copy to the District Construction Office. These forms may be obtained from CIV and reproduced as necessary. The Department may verify the amounts being reported as paid to SBEs by randomly requesting copies of invoices and cancelled checks paid to SBEs. When the SBE goal requirement is not met, documentation supporting good faith efforts, in accordance with Section 2.1.2., "Contractor's Responsibilities," must be submitted with the SBE Final Report.

SBE subcontractors and suppliers should be identified on the monthly report by SBE certification number, name, and the amount of actual payment made to each during the monthly period. These reports are required regardless of whether SBE activity has occurred in the monthly reporting period.

All such records must be retained for 3 yr. following completion of the Contract work and be available at reasonable times and places for inspection by authorized representatives of the Department.

- 2.1.6. **Compliance of Contractor.** To ensure compliance with SBE requirements of this Contract, the Department will monitor the Contractor's efforts to involve SBEs during the performance of this Contract. This will be accomplished by a review of monthly reports submitted by the Contractor indicating their progress in achieving the SBE Contract goal and by compliance reviews conducted by the Department.

A Contractor's failure to comply with the requirements of this Special Provision will constitute a material breach of this Contract. In such a case, the Department reserves the right to employ remedies as the Department deems appropriate in the terms of the Contract.

- 2.2. **Article B—No SBE Goal.**

- 2.2.1. **Policy.** It is the Department's policy that SBEs will have an opportunity to participate in the performance of Contracts.

- 2.2.2. **Contractor's Responsibilities.** If there is no SBE goal, the Contractor must offer SBEs an opportunity to participate in the performance of Contracts and subcontracts. If an SBE is used, the requirements in accordance with Section 2.1.4., "Determination of SBE Participation," will apply.

- 2.2.3. **Prohibit Discrimination.** The Contractor and any subcontractor will not discriminate on the basis of race, color, national origin, religion, age, disability, or sex in the award and performance of Contracts. These nondiscrimination requirements must be incorporated into any subcontract and purchase order.

- 2.2.4. **Records and Reports.** The Contractor must submit annual reports pertinent to SBEs (including HUBs and DBEs) to the Area Engineer's Office by August 31 or at project completion, whichever comes first.

These reports will be required until all SBE subcontracting or supply activity is completed. The SBE Progress Report must be used for reporting. Upon completion of the Contract and before receiving the final payment, the Contractor must submit the SBE Final Report to the Area Engineer's Office and a copy to the District Construction Office. These forms may be obtained from CIV and reproduced as necessary. The Department may verify the amounts being reported as paid to SBEs by randomly requesting copies of invoices and cancelled checks paid to SBEs.

SBE subcontractors and suppliers should be identified on the report by SBE certification number, name, and the amount of actual payment made.

All such records must be retained for 3 yr. following completion of the Contract work and be available at reasonable times and places for inspection by authorized representatives of the Department.

Special Provision to Item 6

Control of Materials



Item 6, "Control of Materials" of the Standard Specifications is amended with respect to the clauses cited below. No other clauses or requirements of this Item are waived or changed.

Section 1.1. "Buy America," and Section 1.2., "Buy America Exceptions," are voided and replaced by the following.

- 1.1. **Buy America.** Comply with the latest provisions of Build America, Buy America Act (BABA Act) of the Bipartisan Infrastructure Law and applicable CFR, which restrict funds being made available from Federal financial assistance programs unless all the iron products, steel products, manufactured products, and construction materials used in the project are produced in the United States. Use iron or steel products, manufactured products, or construction materials produced in the United States for all permanently installed materials and products except when defined in Section 1.1.5., "Buy America Exceptions."

A material is solely classified based on its status at the time it is brought to the work site as either an iron or steel product, construction material, manufactured product, or Section 70917(c) material. Refer to the Buy America Material Classification Sheet found in the general notes or txdot.gov for additional clarification on material classification.

- 1.1.1. **Iron or Steel.** Iron or steel products means articles, materials, or supplies that consist of iron or steel or a combination of both. For iron or steel products, manufacturing includes any process that modifies the chemical content, physical shape or size, or final finish of a product. The manufacturing process begins with initial melting and mixing and continues through fabrication (e.g., cutting, drilling, welding, bending.) and coating (e.g., paint, galvanizing, epoxy).

For iron or steel products, submit a notarized original FORM D-9-USA-1 (Department Form 1818) with the proper attachments for verification of compliance.

- 1.1.2. **Section 70917(c) Materials.** Section 70917(c) materials mean cement and cementitious material; aggregates such as stone, sand, or gravel; or aggregate binding agents or additives. Section 70917(c) materials do not require domestic sourcing or Buy America certification.

- 1.1.3. **Construction Materials.** Construction materials are classified as articles, materials, or supplies that consist of only one of the items listed in bullets below. Minor additions (as determined by the plans or the Engineer) to any of the items listed is still a construction material.

- non-ferrous metals,
- plastic and polymer-based products (including polyvinyl chloride, composite building materials, and polymers used in fiber optic cables),
- glass (including optic glass),
- fiber optic cable (including drop cable),
- optical fiber,
- lumber,
- engineered wood, or
- drywall.

For construction materials, submit a Construction Material Buy America Certification Form (Department Form 2806) for verification of compliance that all manufacturing processes, as required, occurred in the

United States. Each construction material has specific certification requirements stated below. Provide additional documentation as requested.

Details shown on the plans provide additional clarification on Buy America requirements.

For non-ferrous metals, certification requires all manufacturing processes, from initial smelting or melting through final shaping, coating, and assembly, occurred in the United States.

For plastic and polymer-based products (including polyvinyl chloride, composite building materials, and polymers used in fiber optic cables), certification requires all manufacturing processes, from initial combination of constituent plastic or polymer-based inputs, or, where applicable, constituent composite materials, until the item is in its final form, occurred in the United States.

For glass (including optic glass), certification requires all manufacturing processes, from initial batching and melting of raw materials through annealing, cooling, and cutting, occurred in the United States.

For fiber optic cable (including drop cable), certification requires all manufacturing processes, from the initial ribboning (if applicable), through buffering, fiber stranding and jacketing, occurred in the United States. All manufacturing processes also include the standards for glass and optical fiber, but not for non-ferrous metals, plastic and polymer-based products, or any others.

For optical fiber, certification requires all manufacturing processes, from the initial preform fabrication stage through the completion of the draw, occurred in the United States.

For lumber, certification requires all manufacturing processes, from initial debarking through treatment and planing, occurred in the United States.

For engineered wood, certification requires all manufacturing processes from the initial combination of constituent materials until the wood product is in its final form, occurred in the United States.

For drywall, certification requires all manufacturing processes, from initial blending of mined or synthetic gypsum plaster and additives through cutting and drying of sandwiched panels, occurred in the United States.

1.1.4. **Manufactured Products.** Materials classified as a manufactured product are currently waived from Buy America requirements by an FHWA general waiver and are not required to be domestically sourced. However, iron or steel products incorporated into manufactured products must meet iron and steel compliance requirements.

1.1.5. **Buy America Exceptions.** Use of iron, steel, construction materials, and manufactured products manufactured in the United States is required unless the material meets an exception below.

- A waiver exists exempting the material from Buy America compliance.
- The total value of the non-compliant products (other than iron or steel products) is no more than the lesser of \$1,000,000 or 5% of Total Applicable Costs for the project. Total Applicable Cost means the actual cost of all materials requiring Buy America compliance including iron, steel, or other materials that are within the scope of existing waivers. Contractor must provide documentation showing under threshold in advance for Engineer's consideration.
- The total value of foreign iron and steel products, including delivery, does not exceed 0.1% of the total Contract cost or \$2,500, whichever is greater. The Contractor must provide documentation showing under threshold in advance for the Engineer's consideration.
- Foreign steel may be allowed when the Contract contains an alternate item for a foreign source iron or steel product and the Contract is awarded based on the alternate item.

- The materials are temporarily installed or are supplies, tools, and equipment not incorporated into the project. Temporarily installed means the materials and products must be removed at the end of the project or may be removed at the Contractor's convenience with the Engineer's approval.

Special Provision to Item 8 Prosecution and Progress



Item 8, "Prosecution and Progress," of the Standard Specifications is amended with respect to the clauses cited below. No other clauses or requirements of this Item are waived or changed.

Article 8.1., "Prosecution of Work." The first sentence of the first paragraph is voided and replaced by the following.

Before March 1, select the date to begin work and notify the Engineer in writing of the date. The date selected must allow for the completion of seal coat operations within the Contract asphalt season.

The Engineer may allow the sealing operations to be performed outside the asphalt season.

The Engineer may suspend the work and working day charges on work not completed within the asphalt season until the next asphalt season.

Article 8.3., "Computation of Contract Time for Completion." The first paragraph is voided and replaced by the following.

The number of working days is established by the Contract. Working day charges will begin on the earliest date of either:

- the first day of asphalt season as shown on the plans, or
- when sealing operations are allowed to begin.

Section 8.3.1., "Working Day Charges," is voided and replaced by the following.

Working days will be charged in accordance with Section 8.3.1.1., "Five-Day Workweek," Section 8.3.1.2., "Six-Day Workweek," or Section 8.3.1.3., "Seven-Day Workweek," as shown on the plans. Once time charges begin, time charges will continue until sealing operations have been completed.

Working day charges may be suspended when the principal item of work cannot be performed, when approved.

Special Provision to Item 502

Barricades, Signs, and Traffic Handling



Item 502, "Barricades, Signs, and Traffic Handling," of the Standard Specifications is amended with respect to the clauses cited below. No other clauses or requirements of this Item are waived or changed.

Article 3., "Measurement," is voided and replaced by the following.

"Barricades, Signs, and Traffic Handling" will be measured by the each. A location will equate to a plan quantity of one each. Total measurement for the project will be the sum of all roadway locations.

Section 4.1.1., "Initiation of Payment," is voided and replaced by the following.

Payment for this Item will begin on the first estimate corresponding to the completion of the initial location.

Section 4.1.2., "Paid Months," is voided and replaced by the following.

Paid Each. Payment by the each will be made on the monthly estimate corresponding to completion of each location provided the barricades, signs, and traffic handling devices have been installed and maintained in accordance with the TCP for all required operations to complete each location.

If, within the timeframe established by the Engineer, the Contractor fails to provide or properly maintain signs and barricades in compliance with the Contract requirements, as determined by the Engineer, the Contractor will be considered in noncompliance with this Item. No payment will be made for the months in question, and the total final payment quantity will be reduced by the number of months the Contractor was in noncompliance.

Section 4.1.4., "Total Payment Quantity," is voided and replaced by the following:

The quantity paid under this Item will not exceed the total quantity shown on the plans, except as modified by change order and as adjusted by Section 4.1.2., "Paid Each." An overrun of the plans quantity for this Item will not be allowed for approving designs, testing, material shortages, closed construction seasons, and curing periods; establishment, performance, and test and maintenance periods; failure to complete the work in the days allotted; or delays caused directly or indirectly by requirements of the Contract.

Special Specification 3001

Frictional Asphaltic Surface Preservation Treatment



1. DESCRIPTION

Apply a surface preservation treatment consisting of one or more applications of a single layer of asphaltic and aggregate material.

2. MATERIALS

Furnish materials in accordance with the following:

- 2.1. **Asphalt.** Furnish an emulsified asphalt in accordance with Table 1. Provide water in accordance with Article 204.2., "Materials."

**Table 1
Emulsified Asphalt**

Property	Test Procedure	Min	Max
viscosity	T 59	20	100
particle charge test	T 59	Positive	-
sieve, %	T 59	0	0.1
residue by distillation, percent	T 59	60	-
penetration at 77°F, 100 g, 5 sec.	T 49	40	150

Use a quantity of emulsified asphalt in the mixture, expressed as a percentage of total weight, the percentage shown on the plans, or as directed.

- 2.2. **Aggregate.** Furnish aggregate meeting Item 302, "Aggregates for Surface Treatments," of the grade shown in Table 2.

**Table 2
Aggregates**

Physical Properties ¹			
Property	Test Procedure	Min	Max
water absorption, %	T 84	-	4
Micro-Deval, %	D 7428 ²	-	20
Gradation ³			
Sieve	Standard	Master Grading Band Limits Percent Passing	Target Tolerance
No. 8	C 136	100	-
No. 16	C 136	85-100	-
No. 30	C 136	75-100	± 5
No. 60	C 136	10-40	± 5
No. 100	C 136	0-10	± 5
No. 200	C 117	0-5	± 1

1. Perform physical property tests on aggregates that are received before blending into sealer.
2. Micro-Deval on aggregate larger than No. 60 sieve U.S.

- 2.3. **Additives.** Add clay, polymers, water, and other additives as required. Use a minimum of 4% polymer by weight. Furnish water free of industrial wastes and other objectionable matter.

or:

Other Additives. Use approved additives as recommended by the frictional asphaltic surface preservation treatment manufacturer when necessary to adjust mix time in the field.

3. MIX DESIGN

- 3.1. Furnish a laboratory mix design meeting the requirements shown in Table 3.

Table 3
Laboratory Mix Design

Test	Test Procedure	Min	Max
wet-track abrasion loss, 3 day soak, g/m ²	D 3910 ¹	-	80
asphalt content by ignition method, %	T 308	30	-
dynamic friction test number, 20 kph	E 1911 ²	0.90	-

1. Use the modified method to account for realistic application depth and fine emulsion mixture.
 2. Establish base friction value using prepared laboratory compacted slab of approved mix as surface to be tested. The dynamic friction test (DFT) number ratio should indicate that after application of the mastic seal, the surface retains required minimum percentage DFT number of the original pavement surface.
- 3.2. Furnish a production or field sample meeting the requirements shown in Table 4.

Table 4
Production or Field Sample

Test	Test Procedure	Min	Max
solids content by evaporation, %	T 59 ¹	48	-
asphalt content by ignition method, %	T 308 ³	30	-
rotational viscosity, 20 rpm, RV spindle, 25°C, cP	D 2196 ²	800	4000
temperature for storage and application, °F	-	60	130

1. Dry specimens to a state where measurements taken 20 min. apart do not change.
2. Test samples within 7 days.
3. Reduce sample size to achieve asphalt quantity. It is very important that this test be performed on a completely dry sample.

4. EQUIPMENT

- 4.1. **Mixing Plant.** Provide a stationary pugmill, weigh-batch, or continuous mixing plant as approved. Equip plants with digital proportioning and metering devices that produce a uniform mixture of asphalt, aggregate, and additives in the specified proportions.
- 4.2. **Distributor.** Provide applicable equipment in accordance with Article 316.3., "Equipment." Furnish the necessary facilities and equipment for determining the temperature of the mixture, regulating the application rate, and securing uniformity at the junction of two distributor loads. Furnish a distributor capable of keeping the frictional asphaltic surface preservation treatment in uniform suspension and adequately mixing the asphalt, aggregate, and additives.
- 4.3. **Asphalt Storage and Handling Equipment.** When using storage tanks, furnish a thermometer in each tank to continuously indicate the asphalt temperature. Keep equipment clean and free of leaks. Keep asphalt material free of contamination. Furnish storage tanks capable of keeping the frictional asphaltic surface preservation treatment in uniform suspension and adequately mixing the asphalt, aggregate, and additives.

5. CONSTRUCTION

- 5.1. **Adverse Weather Conditions.** Do not place mixture when, in the Engineer's opinion, general weather conditions are unsuitable. Meet the requirements for air and surface temperature shown below.
- 5.1.1. **Standard Temperature Limitations.** Apply mixture when air temperature is above 50°F and rising. Do not apply mixture when air temperature is 60°F and falling. In all cases, do not apply mixture when surface temperature is below 60°F.

- 5.1.2. **Cool Weather Night Air Temperature.** The Engineer reserves the right to review the National Oceanic and Atmospheric Administration (NOAA) weather forecast and determine if the nightly air temperature is suitable for mixture placement.
- 5.1.3. **Cold Weather Application.** When mixture application is allowed outside of the above temperature restrictions, the Engineer will approve the mixture and the air and surface temperatures for application. Apply mixture at air and surface temperatures as directed.
- 5.2. **Surface Preparation.** Remove existing raised pavement markers. Repair any damage incurred by removal as directed. Remove dirt, dust, or other harmful material before applying. When shown on the plans, remove vegetation and blade pavement edges.
- 5.3. **Application.** Apply the mixture when the air temperature is at or above 60°F, or above 50°F and rising. Measure the air temperature in the shade away from artificial heat. The Engineer will determine when weather conditions are suitable for application.
- Distribute material at the following rates or as directed:
- First application: 1 to 1.5 lb. per SY.
 - Second application: 1 to 1.5 lb. per SY.
 - Total application after the second application: 2.5 lb. per SY minimum.
- 5.4. **Edges.** Adjust the shot width so operations do not encroach on traffic or interfere with the traffic control plan, as directed. Use paper or other approved material at the beginning and end of each shot to construct a straight traverse joint. Unless otherwise approved, match longitudinal joints with the lane lines. The Engineer may require a string line if necessary to keep the edge straight. Use sufficient pressure to flare the nozzles fully.
- 5.5. **Workmanship.** Immediately take corrective action if treatment material is exhibiting evidence of poor workmanship, delayed opening to traffic, or surface irregularities, including streaks, uncoated, and blotchy areas. The Engineer may allow placement to continue for no more than one day of production while taking appropriate action. Suspend application if the problem still exists after one day until the problem is corrected to the satisfaction of the Engineer.
- 5.6. **Opening to Traffic.** Open the treated surface to traffic when directed. Furnish and uniformly distribute clean, fine sand on the surface to blot the excess when an excessive quantity of mixture is applied. Maintain ingress and egress as directed by applying sand to freshly treated areas.

6. MEASUREMENT

Frictional Asphaltic Surface Preservation Treatment will be measured by the ton or by the square yard of the composite Frictional Asphaltic Surface Preservation Treatment mixture, which includes asphalt emulsion, aggregate, and additives. At the completion of the project, any unused frictional asphaltic surface preservation treatment will be weighed back and deducted from the accepted frictional asphaltic surface preservation treatment quantity delivered.

7. PAYMENT

The work performed and materials furnished in accordance with this Item and measured as provided under "Measurement" will be paid for at the unit bid price per ton or square yard for "Frictional Asphaltic Surface Preservation Treatment." This price is full compensation for preparing the existing surface (including removing existing raised pavement markers); furnishing, hauling, preparing, and placing materials; and equipment, labor, tools, and incidentals.