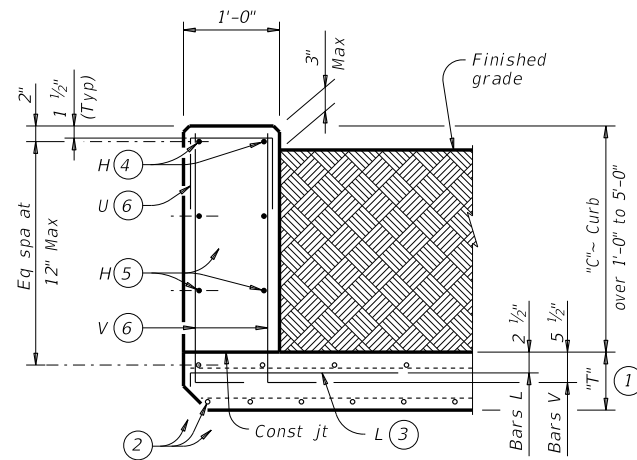


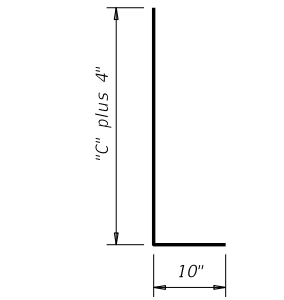
DISCLAIMER: This standard is governed by the "Texas Engineering Practice Act." No warranty of any kind is made by TxDOT for any purpose whatsoever. TxDOT assumes no responsibility for the conversion of this standard to other formats or for incorrect results or damages resulting from its use.

DATE:
FILE:



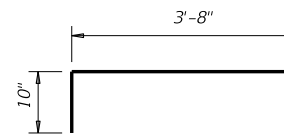
TYPICAL SECTION

Used for curbs over 1'-0" to 5'-0"



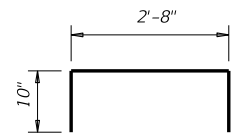
BARS V (#5) ⑥

Spaced at 12" Max



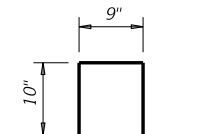
BARS L (#5) ③

Spaced at 12" Max



OPTIONAL BARS L (#5) ③ ⑦

Spaced at 12" Max



BARS U (#4) ⑥

Spaced at 12" Max

- ① "T" is equal to the culvert top slab thickness. For precast boxes with slabs less than 8" thick, see SCP-MD standard for additional details.
- ② Adjust normal culvert slab bars as necessary to clear obstructions.
- ③ Place bars L as shown. Tilt hook as necessary to maintain cover.
- ④ Place normal culvert curb bars H(#4) as shown. Adjust as necessary to clear obstructions.
- ⑤ Additional bars H(#4) as required to maintain 12" Max spacing.
- ⑥ Replace normal culvert curb bars K with one bar U and two bars V as shown spaced at 12" Max. Adjust length of bars V as necessary to maintain clear cover.
- ⑦ Optional bars L are to be used only for precast box culverts with 3'-0" closure pour.
- ⑧ Quantities shown are for Contractor's information only. Quantities are per linear foot of curb length. The value in table can be interpolated for intermediate values of curb height, "C". Quantity includes bars K (when applicable).

TABLE OF ESTIMATED CURB QUANTITIES ⑧		
Curb Height "C"	Conc (CY/LF)	Reinf Steel (Lb/LF)
1'-0"	0.037	10.4
1'-6"	0.056	14.5
2'-0"	0.074	15.6
2'-6"	0.093	18.0
3'-0"	0.111	19.0
3'-6"	0.130	21.3
4'-0"	0.148	22.4
4'-6"	0.167	24.8
5'-0"	0.185	25.9

CONSTRUCTION NOTES:

Adjust reinforcing steel as necessary to provide 1 1/4" cover. For vehicle safety, top of the curb must not project more than 3" above the finished grade.

MATERIAL NOTES:

Provide Grade 60 reinforcing steel.
Provide galvanized reinforcing steel if required elsewhere in the plans.
Provide Class "C" concrete (f'c = 3,600 psi) minimum for curbs.
Provide bar laps, where required, as follows:
• Uncoated or galvanized ~ #4 = 1'-8" Min

GENERAL NOTES:

Designed according to AASHTO LRFD Bridge Design Specifications.
These extended curb details have sufficient strength to allow for future retrofit of Type T631 or T631LS railing. These details are suitable for use with PR11, PR22 and PR3 type rails. These details are not suitable for the mounting of other rail types. For new construction using T631 or T631LS railing, use the T631-CM standard.
This Curb is considered as part of the Box Culvert for payment.

Cover dimensions are clear dimensions, unless noted otherwise.
Reinforcing bar dimensions shown are out-to-out of bar.

Texas Department of Transportation		Bridge Division Standard		
<h2 style="margin: 0;">EXTENDED CURB DETAILS</h2> <h3 style="margin: 0;">FOR BOX CULVERTS WITH CURBS OVER 1'-0" TO 5'-0" TALL</h3>				
ECD				
FILE: CD-ECD-20.dgn	DN: GAF	CK: TxDOT	DW: TxDOT	CK: GAF
©TxDOT February 2020	CONT	SECT	JOB	HIGHWAY
REVISIONS				
DIST	COUNTY		SHEET NO.	