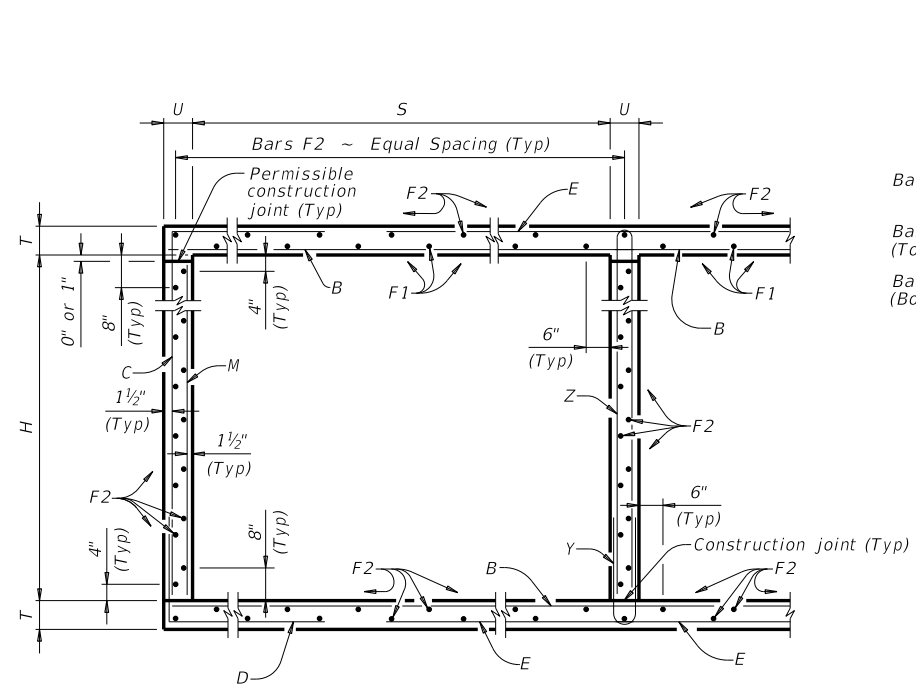
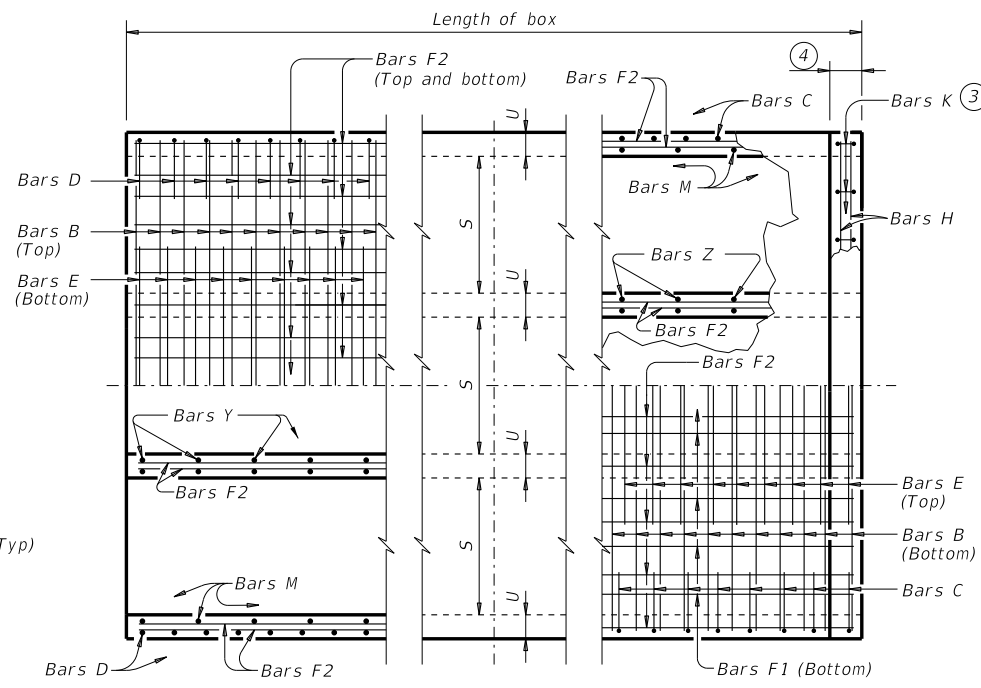


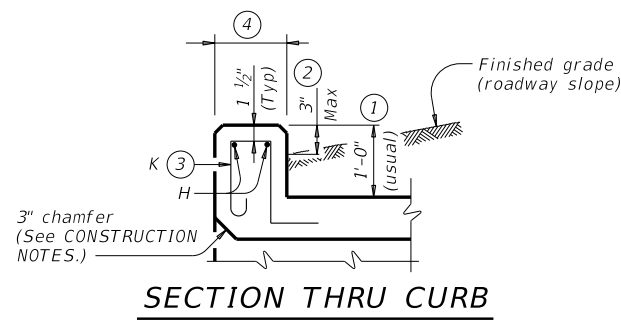
DISCLAIMER: The use of this standard is governed by the "Texas Engineering Practice Act." No warranty of any kind is made by TxDOT for any purpose whatsoever. TxDOT assumes no responsibility for the conversion of this standard to other formats or for incorrect results or damages resulting from its use.



TYPICAL SECTION

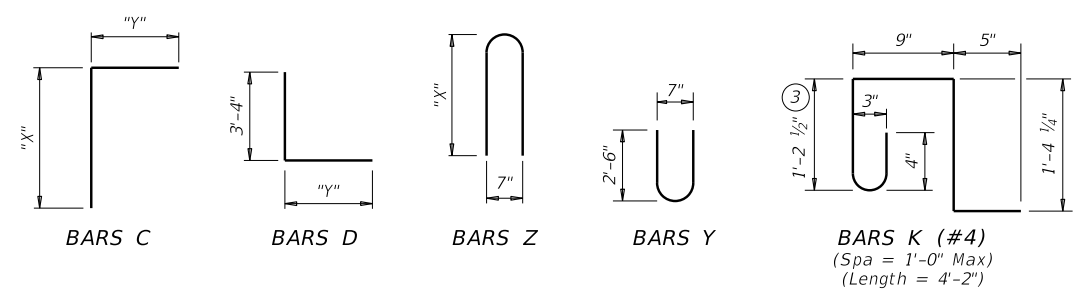


PART PLANS



SECTION THRU CURB

TABLE OF BAR DIMENSIONS		
H	"X"	"Y"
4'-0"	4'-10 1/2"	6'-0"
5'-0"	5'-10 1/2"	6'-0"
6'-0"	6'-10 1/2"	6'-0"
7'-0"	7'-10 1/2"	6'-0"
8'-0"	8'-10 1/2"	6'-0"
9'-0"	9'-10 1/2"	6'-0"
10'-0"	10'-10 1/2"	6'-0"



- 0" Min to 5'-0" Max. Estimated curb heights are shown elsewhere in the plans. For structures with pedestrian rail or curbs taller than 1'-0", refer to the Extended Curb Details (ECD) standard sheet. For structures with T631 or T631LS bridge rail, refer to the Mounting Details for T631 & T631LS Rails (T631-CM) standard sheet. Refer to the Rail Anchorage Curb (RAC) standard sheet for structures with bridge rail other than T631 or T631LS.
- For vehicle safety, the following requirements must be met:
 - For structures without bridge rail, construct curbs no more than 3" above finished grade.
 - For structures with bridge rail, construct curbs flush with finished grade. Reduce curb heights, if necessary, to meet the above requirements. No changes will be made in quantities and no additional compensation will be allowed for this work.
- For curbs less than 1'-0" high, tilt Bars K or reduce bar height as necessary to maintain cover. For curbs less than 3" high, Bars K may be omitted.
- 1'-0" typical. 2'-3" when the Rail Anchorage Curb (RAC) standard sheet is referred to elsewhere in the plans.

The Contractor may replace Bars B, C, D, E, F1, F2, M, Y, and/or Z with deformed welded wire reinforcement (WWR) meeting the requirements of ASTM A1064. The area of required reinforcement may be reduced by the ratio of 60 ksi / 70 ksi. Spacing of WWR is limited to 4" Min and 18" Max. When required, provide lap splices in the WWR of the same length required for the equivalent bar size, rounded up for wire sizes between conventional bar sizes. The lap length required for WWR is never less than the lap length required for uncoated #4 bars.

Example conversion: Replacing No. 6 Gr 60 at 6" Spacing with WWR
 Required WWR = (0.44 sq. in. per 0.5 ft.) x (60 ksi / 70 ksi) = 0.755 sq. in. per ft.
 If D30.6 wire is used to meet the 0.755 sq. in. per ft. requirement in this example, the required spacing = (0.306 sq. in.) / (0.755 sq. in. per ft.) x (12 in. per ft.) = 4.86"
 Max spacing. Required lap length for the provided D30.6 wire is 2'-1" (the same minimum lap length required for uncoated #5 bars, as listed under MATERIAL NOTES).

CONSTRUCTION NOTES:
 Do not use permanent forms.
 Chamfer the bottom edge of the top slab 3" at the entrance.
 Optionally, raise construction joints shown at the flow line by a maximum of 6". If this option is taken, Bars M may be cut off or raised, Bars C and D may be reversed, and Bars Y and Z may be reversed.

MATERIAL NOTES:
 Provide Grade 60 reinforcing steel.
 Provide galvanized reinforcing steel if required elsewhere in the plans.
 Provide Class C concrete (f'c = 3,600 psi) for culvert barrel and curb.
 Provide bar laps, where required, as follows:
 • Uncoated or galvanized ~ #4 = 1'-8" Min
 • Uncoated or galvanized ~ #5 = 2'-1" Min
 • Uncoated or galvanized ~ #6 = 2'-6" Min

GENERAL NOTES:
 Designed according to AASHTO LRFD Bridge Design Specifications for the range of fill heights shown.
 See the Multiple Box Culverts Cast-In-Place Miscellaneous Detail (MC-MD) standard sheet for details pertaining to skewed ends, angle sections, and lengthening.

Cover dimensions are clear dimensions, unless noted otherwise.
 Reinforcing bar dimensions shown are out-to-out of bar.

HL93 LOADING SHEET 1 OF 2

Texas Department of Transportation Bridge Division Standard

MULTIPLE BOX CULVERTS CAST-IN-PLACE

10'-0" SPAN
2' TO 20' FILL
MC-10-20

FILE: CD-MC1020-20.dgn	DN: TBE	CK: BMP	DW: TxDOT	CK: TxDOT
©TxDOT February 2020	CONT	SECT	JOB	HIGHWAY
REVISIONS				
	DIST	COUNTY		SHEET NO.

DATE:
FILE:

NUMBER OF SPANS	SECTION DIMENSIONS				BILLS OF REINFORCING STEEL (For Box Length = 40 feet)																								QUANTITIES																					
					Bars B ^⑤					Bars C & D				Bars E			Bars F1 ~ #4			Bars F2 ~ #4			Bars M ~ #4			Bars Y & Z ~ #4				Bars H ^⑤ 4 ~ #4		Bars K		Per Foot of Barrel		Curb		Total												
	S	H	T	U	No.	Size	Spa	Length	Wt	No.	Size	Spa	Bars C		Bars D		No.	Size	Spa	Length	Wt	No.	Spa	Length	Wt	No.	Spa	Length	Wt	No.	Spa	Bars Y		Bars Z		Length	Wt	No.	Wt	Conc (CY)	Rein (Lb)	Conc (CY)	Rein (Lb)	Conc (CY)	Rein (Lb)					
2	10'-0"	4'-0"	12"	10"	162	#6	6"	22'-3"	5,414	108	#6	9"	10'-11"	1,771	9'-5"	1,528	162	#6	6"	9'-9"	2,372	14	18"	39'-9"	372	66	18"	39'-9"	1,752	108	9"	4'-0"	289	54	9"	5'-5"	195	10'-1"	364	22'-3"	59	48	134	2.037	351.4	1.7	193	83.1	14,250	
3	10'-0"	4'-0"	12"	10"	162	#6	6"	33'-1"	8,050	108	#6	9"	10'-11"	1,771	9'-5"	1,528	162	#6	6"	19'-9"	4,806	21	18"	39'-9"	558	95	18"	39'-9"	2,523	108	9"	4'-0"	289	108	9"	5'-5"	391	10'-1"	727	33'-1"	88	70	195							

⑤ Bar lengths over 60' include one bar lap; refer to MATERIAL NOTES for minimum lap lengths.



FILE:	DN: TBE	CK: BMP	DW: TxDOT	CK: TxDOT
TxDOT	CONT	SECT	JOB	HIGHWAY
REVISIONS	DIST		COUNTY	SHEET NO.

DATE:
FILE: