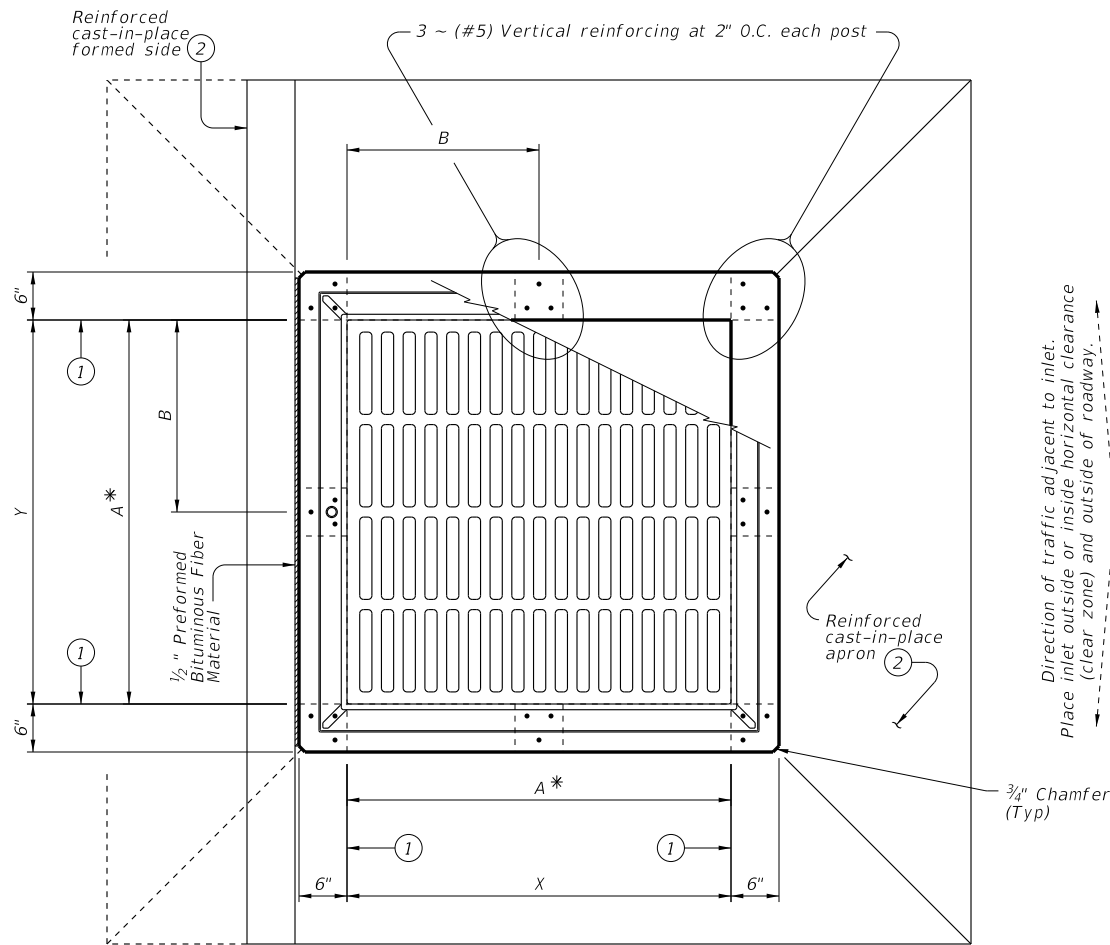
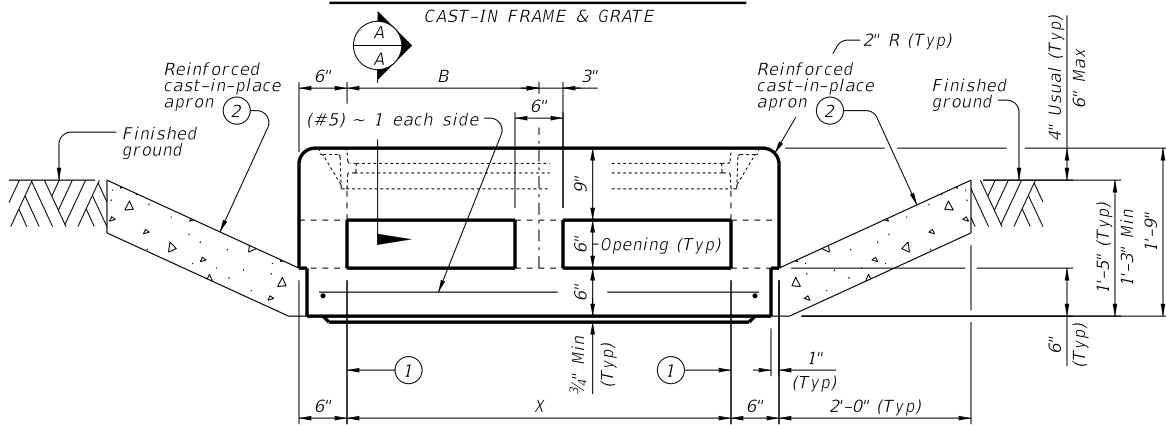


DISCLAIMER: The use of this standard is governed by the "Texas Engineering Practice Act." No warranty of any kind is made by TxDOT for any purpose whatsoever. TxDOT assumes no responsibility for the conversion of this standard to other formats or for incorrect results or damages resulting from its use.

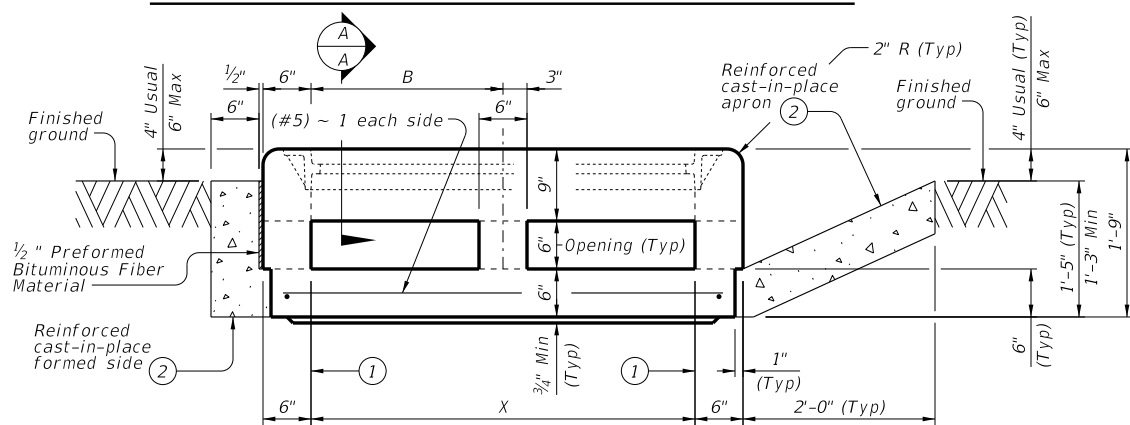
DATE: FILE:



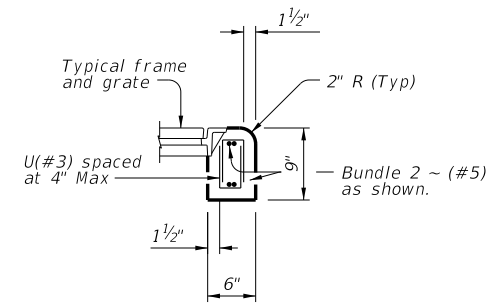
PLAN VIEW ~ STYLE 'FG' ③



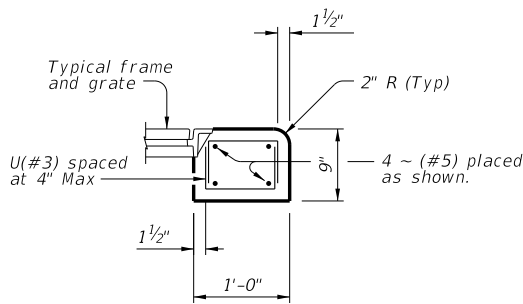
ELEVATION VIEW WITHOUT FORMED SIDE ④



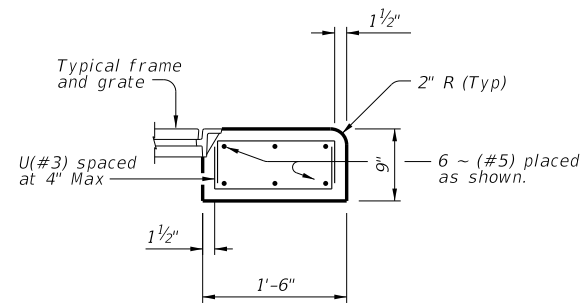
ELEVATION VIEW WITH FORMED SIDE ④



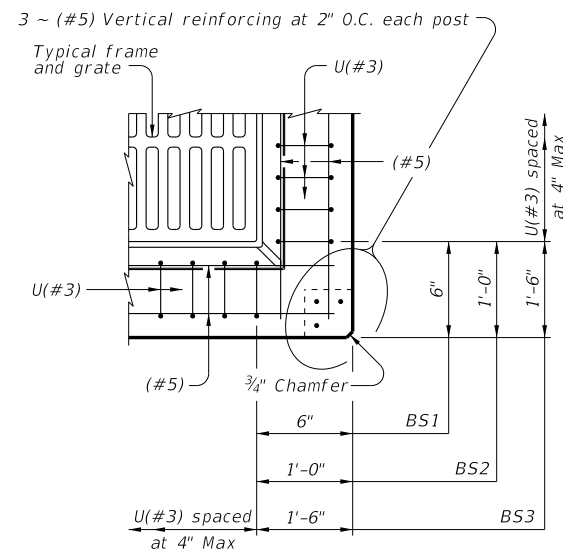
SECTION A-A ~ BS1



SECTION A-A ~ BS2

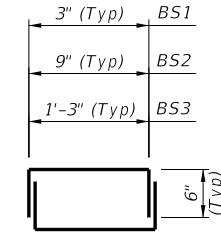


SECTION A-A ~ BS3



TYPICAL CORNER REINFORCING PLAN DETAIL

Showing BS2 other beam sections similar.



BARS U (#3)
Showing one complete bar.

Style	Size (X x Y)	A x A *	B x B	Beam Section
FG	3'x3'	3'x3'	1.5'x1.5'	BS1
FG	4'x4'	3'x3'	2'x2'	BS2
FG	4'x4'	4'x4'	2'x2'	BS1
FG	5'x5'	3'x3'	2.5'x2.5'	BS3
FG	5'x5'	4'x4'	2.5'x2.5'	BS2

* Nominal frame/grate size.

- ① Matches inside face of wall of precast base or riser below inlet.
- ② Construct cast-in-place reinforced concrete with or without formed side. Place formed side/sides as directed elsewhere in the plans. Formed sides may only be used on sides parallel to traffic. Use Class "C" concrete. Apron and formed side reinforcing not shown for clarity. Apron and formed side are subsidiary to PAZD-CZ. Apron is 2'-0" width around precast zone drain, unless an optional formed side is used. For apron and formed side, provide (#4) reinforcing at 12" O.C.
- ③ Top slab reinforcing not shown for clarity.
- ④ Top slab reinforcing and post reinforcing not shown for clarity.

FABRICATION NOTES:

- Provide Class "H" concrete in accordance with Item 421 and having a minimum compressive strength of 5,000 psi.
- Provide Grade 60 reinforcing steel or equivalent area of WWR.
- Provide clear cover of 3/4" to reinforcing from bottom of slab and 2" to reinforcing from top of slab for structural reinforcement.
- Provide 1 1/2" end cover on (#5) reinforcing.
- Design tongue and groove joints for full closure on both shoulders. Minimum spigot depth is 3/4".
- Provide lifting devices in conformance with Manufacturer's recommendations.

INSTALLATION NOTES:

- Precast Area Zone Drain within Clear Zone (PAZD-CZ) is for use in ditches and medians outside and inside of the horizontal clearance (clear zone). PAZD-CZ is never placed in the roadway.
- Seal tongue and groove joints with preformed or bulk mastic in conformance with Manufacturer's recommendations. Tongue and groove joints may be grouted no more than 1" between each section, or 1/2 the joint depth, whichever is greater.
- Do not grout rubber gasket joints without Manufacturer's recommendation.

GENERAL NOTES:

- Designed according to ASTM C913.
- Payment for inlet is per Item 465, "Junction Boxes, Manholes, and Inlets" by type, style, size, and opening size (when applicable).

Cover dimensions are clear dimensions, unless noted otherwise. Reinforcing bar dimensions shown are out-to-out of bar.

HL93 LOADING

		Bridge Division Standard	
<h2>PRECAST AREA ZONE DRAIN WITHIN CLEAR ZONE</h2>			
<h3>PAZD-CZ</h3>			
FILE: CD-PAZD-CZ-20.dgn	DN: SDC	CK: TAR	DW: JTR
©TxDOT February 2020	CONT	SECT	JOB
REVISIONS		HIGHWAY	
DIST		COUNTY	
		SHEET NO.	