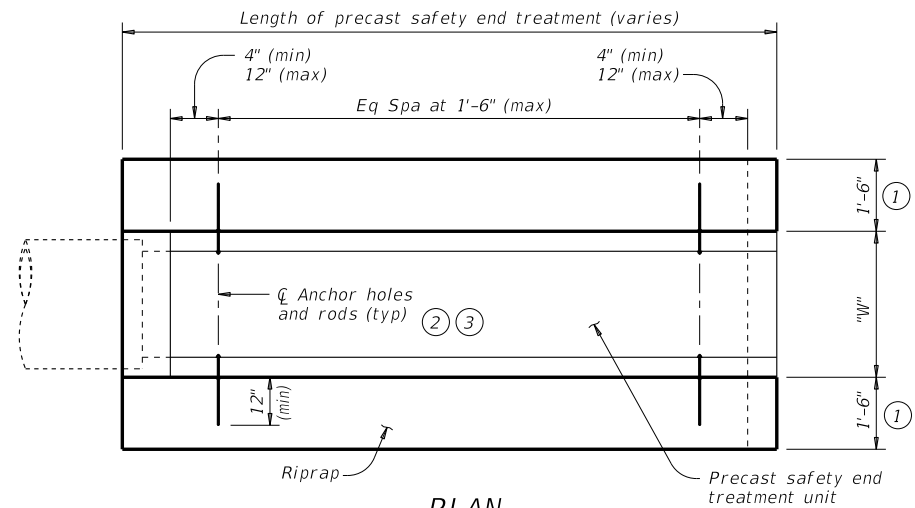
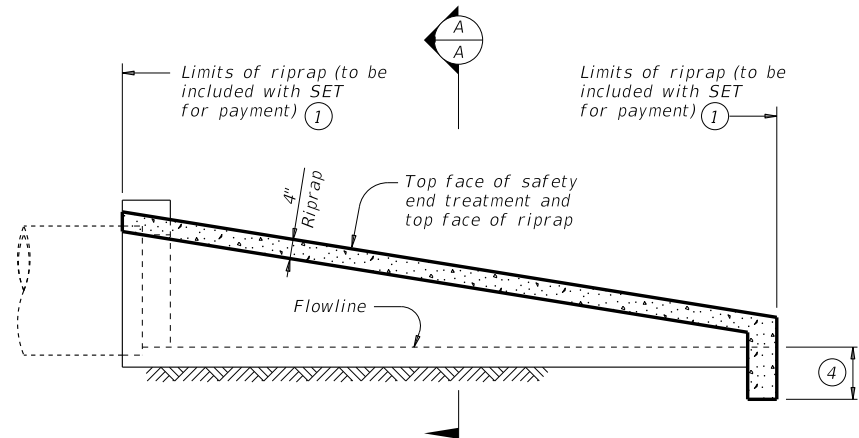


DISCLAIMER: The use of this standard is governed by the "Texas Engineering Practice Act." No warranty of any kind is made by TxDOT for any purpose whatsoever. TxDOT assumes no responsibility for the conversion of this standard to other formats or for incorrect results or damages resulting from its use.

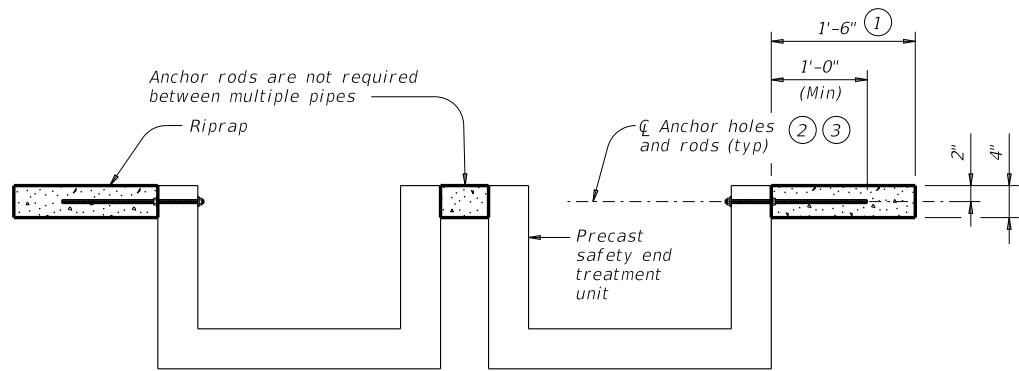
DATE: FILE:



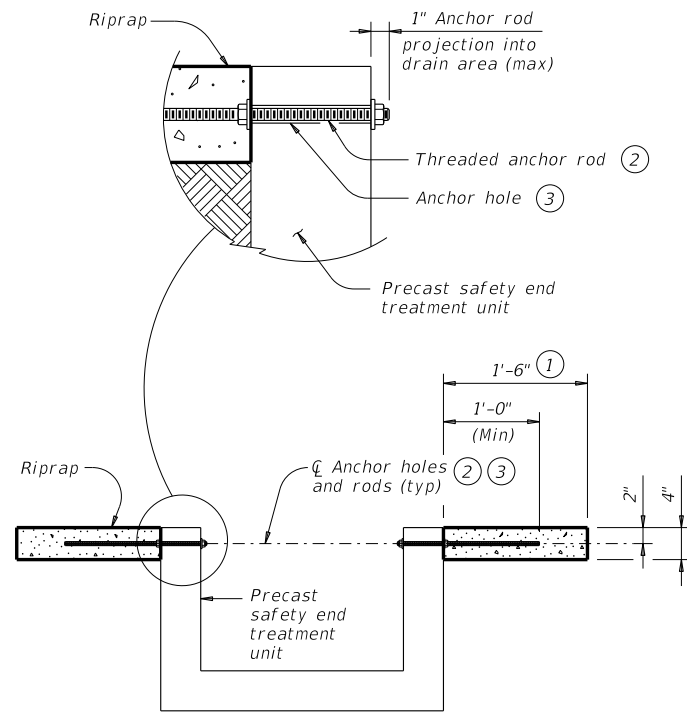
**PLAN**



**LONGITUDINAL ELEVATION**



**MULTIPLE PIPE INSTALLATION**



**SINGLE PIPE INSTALLATION**

**SECTION A-A**

**ESTIMATED CONCRETE RIPRAP QUANTITIES (CY)**

Nominal Culvert (Pipe) I.D.	PSET-SC and PSET-SP Standards					PSET-RC and PSET-RP Standards		
	Unit Width "W"	Side Slope			Unit Width "W"	Side Slope		
		3:1	4:1	6:1		3:1	4:1	6:1
12"	23.0"	0.1	0.2	0.2	16.0"	0.1	0.1	0.2
15"	26.5"	0.2	0.2	0.3	19.5"	0.1	0.2	0.2
18"	30.0"	0.2	0.2	0.3	23.0"	0.2	0.2	0.3
24"	37.0"	0.3	0.3	0.5	30.0"	0.2	0.3	0.4
30"	44.5"	0.3	0.4	0.6	37.0"	0.3	0.3	0.5
36"	51.5"	0.4	0.5	0.7	44.0"	0.3	0.4	0.6
42"	58.5"	0.5	0.6	0.8	51.0"	0.4	0.5	0.7

- ① Riprap placed beyond the limits shown will be paid as concrete riprap in accordance with Item 432, "Riprap." When riprap is cast integrally with the precast safety end treatment, this dimension is 1'-0" minimum.
- ② 1#2" Dia ASTM A307 Gr A threaded anchor rod with 2 nuts and 2 washers. Galvanize all components in accordance with Item 445, "Galvanizing." Repair galvanizing that is damaged during transport or construction in accordance with the specifications.
- ③ 3#4" through holes in walls of safety end treatment for riprap anchor rods may be drilled with rotary (coring or masonry) type drilling equipment or may be formed. Do not use percussive (star) type drilling equipment. If holes are drilled, patch spalls in the inside face of the wall exceeding 1#2" from the holes.
- ④ Provide riprap toe wall when dimension is shown elsewhere in the plans or when field conditions require a toe wall.
- ⑤ Quantities shown are for one end of one reinforced concrete pipe culvert. For multiple pipe culverts, quantities will need to be adjusted. Riprap quantities are for Contractor's information only. Quantities are based on the minimum unit lengths shown on the Precast Safety End Treatment (SET) standard sheets.

**MATERIAL NOTES:**

Provide Class "B" riprap in accordance with Item 432, "Riprap." Synthetic fibers listed on the "Fibers for Concrete" Material Producer List (MPL) may be used in lieu of steel reinforcing in riprap concrete unless noted otherwise. The anchor rods shown are always required.

**GENERAL NOTES:**

Precast safety end treatment for reinforced concrete pipe may be used for TYPE II end treatment as specified in Item 467, "Safety End Treatment." Refer to PSET-SC or PSET-SP standard sheets for details of square safety end treatments not shown. Refer to PSET-RC or PSET-RP standard sheets for details of round safety end treatments not shown. For precast units with integrally cast riprap, substitute reinforcing steel in the amount on 0.26 in./ft. minimum for the threaded anchor rods shown. When requested, submit sealed engineering drawings for approval prior to construction. Shop drawings will not be required. Note that a proprietary precast unit with integral riprap is available from L&R Precast Concrete Works, Inc. (956) 583-6293 or www.lrpccast.com. Payment for riprap and toewalls is included in the price bid for each safety end treatment.

These riprap details are only applicable when notes that require placement of riprap with precast safety end treatments are shown elsewhere in the plans.

Precast units with integrally cast riprap are permitted unless noted otherwise on the plans.

				<b>Bridge Division Standard</b>	
<b>PRECAST SAFETY END TREATMENT</b> <b>TYPE II</b> <b>RIPRAP DETAILS</b> <b>PSET-RR</b>					
FILE: CD-PSET-RR-20.dgn	DN: GAF	CK: TxDOT	DW: JRP	CK: GAF	
©TxDOT February 2020	CONT	SECT	JOB	HIGHWAY	
REVISIONS					
	DIST	COUNTY		SHEET NO.	