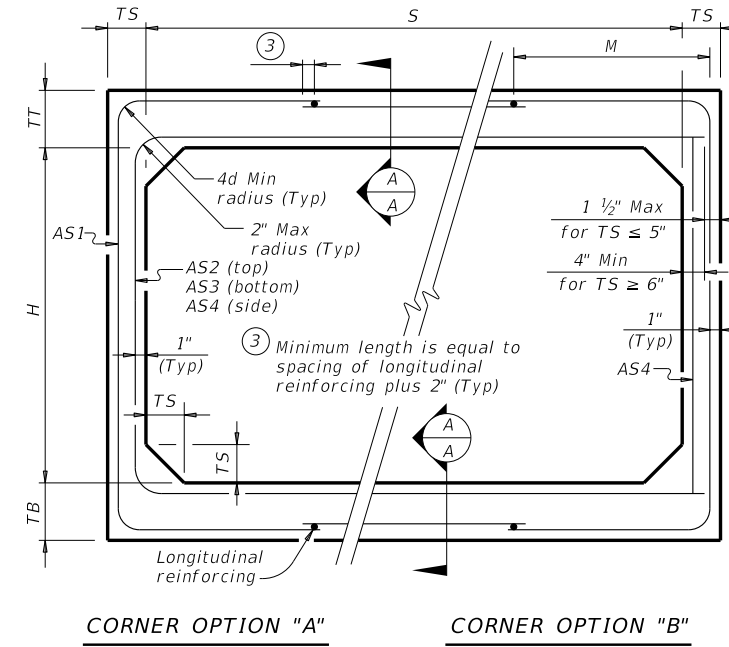


DISCLAIMER: This standard is governed by the "Texas Engineering Practice Act." No warranty of any kind is made by TxDOT for any purpose whatsoever. TxDOT assumes no responsibility for the conversion of this standard to other formats or for incorrect results or damages resulting from its use.

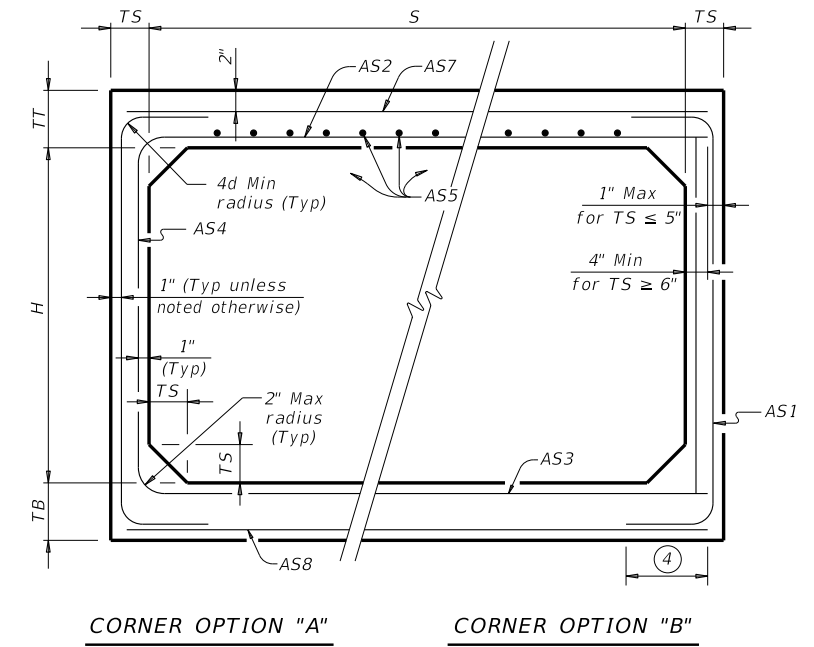
DATE:
FILE:

BOX DATA

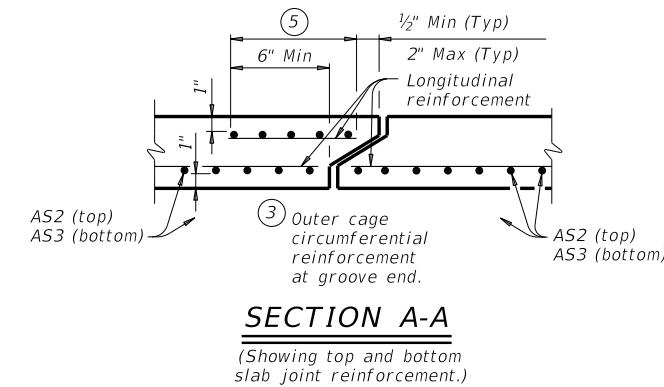
SECTION DIMENSIONS					Fill Height (ft.)	M (Min) (in.)	REINFORCING (sq. in. / ft.) ^②							① Lift Weight (tons)
S (ft.)	H (ft.)	TT (in.)	TB (in.)	TS (in.)			AS1	AS2	AS3	AS4	AS5	AS7	AS8	
7	3	8	8	8	< 2	-	0.23	0.31	0.22	0.19	0.19	0.19	0.19	9.6
7	3	8	8	8	2 < 3	47	0.27	0.25	0.24	0.19	-	-	-	9.6
7	3	8	8	8	3 - 5	43	0.19	0.19	0.19	0.19	-	-	-	9.6
7	3	8	8	8	10	43	0.21	0.20	0.21	0.19	-	-	-	9.6
7	3	8	8	8	15	43	0.28	0.26	0.27	0.19	-	-	-	9.6
7	3	8	8	8	20	43	0.36	0.34	0.35	0.19	-	-	-	9.6
7	3	8	8	8	25	43	0.45	0.42	0.43	0.19	-	-	-	9.6
7	3	8	8	8	30	43	0.54	0.50	0.51	0.19	-	-	-	9.6
7	4	8	8	8	< 2	-	0.21	0.34	0.25	0.19	0.19	0.19	0.19	10.4
7	4	8	8	8	2 < 3	43	0.23	0.28	0.28	0.19	-	-	-	10.4
7	4	8	8	8	3 - 5	43	0.19	0.22	0.19	0.19	-	-	-	10.4
7	4	8	8	8	10	43	0.19	0.23	0.23	0.19	-	-	-	10.4
7	4	8	8	8	15	41	0.24	0.30	0.30	0.19	-	-	-	10.4
7	4	8	8	8	20	41	0.31	0.38	0.39	0.19	-	-	-	10.4
7	4	8	8	8	25	41	0.38	0.47	0.48	0.19	-	-	-	10.4
7	4	8	8	8	30	41	0.46	0.57	0.57	0.19	-	-	-	10.4
7	5	8	8	8	< 2	-	0.19	0.36	0.27	0.19	0.19	0.19	0.19	11.2
7	5	8	8	8	2 < 3	47	0.21	0.31	0.31	0.19	-	-	-	11.2
7	5	8	8	8	3 - 5	43	0.19	0.24	0.21	0.19	-	-	-	11.2
7	5	8	8	8	10	43	0.19	0.25	0.26	0.19	-	-	-	11.2
7	5	8	8	8	15	41	0.21	0.32	0.33	0.19	-	-	-	11.2
7	5	8	8	8	20	41	0.27	0.41	0.42	0.19	-	-	-	11.2
7	5	8	8	8	25	41	0.33	0.51	0.52	0.19	-	-	-	11.2
7	5	8	8	8	30	41	0.40	0.61	0.62	0.19	-	-	-	11.2
7	6	8	8	8	< 2	-	0.19	0.38	0.30	0.19	0.19	0.19	0.19	12.0
7	6	8	8	8	2 < 3	59	0.19	0.33	0.34	0.19	-	-	-	12.0
7	6	8	8	8	3 - 5	47	0.19	0.25	0.23	0.19	-	-	-	12.0
7	6	8	8	8	10	43	0.19	0.26	0.27	0.19	-	-	-	12.0
7	6	8	8	8	15	41	0.19	0.34	0.35	0.19	-	-	-	12.0
7	6	8	8	8	20	41	0.24	0.43	0.45	0.19	-	-	-	12.0
7	6	8	8	8	25	41	0.29	0.53	0.55	0.19	-	-	-	12.0
7	6	8	8	8	30	41	0.35	0.64	0.65	0.19	-	-	-	12.0
7	7	8	8	8	< 2	-	0.19	0.40	0.33	0.19	0.19	0.19	0.19	12.8
7	7	8	8	8	2 < 3	59	0.19	0.36	0.37	0.19	-	-	-	12.8
7	7	8	8	8	3 - 5	59	0.19	0.27	0.25	0.19	-	-	-	12.8
7	7	8	8	8	10	47	0.19	0.27	0.29	0.19	-	-	-	12.8
7	7	8	8	8	15	43	0.19	0.35	0.37	0.19	-	-	-	12.8
7	7	8	8	8	20	43	0.22	0.44	0.46	0.19	-	-	-	12.8
7	7	8	8	8	25	43	0.27	0.54	0.57	0.19	-	-	-	12.8
7	7	8	8	8	30	41	0.32	0.65	0.67	0.19	-	-	-	12.8



FILL HEIGHT 2 FT AND GREATER



FILL HEIGHT LESS THAN 2 FT



④ Length is equal to spacing of longitudinal reinforcing plus 2". (10" Min) (Typ)

MATERIAL NOTES:

Provide 0.03 sq. in./ft. minimum longitudinal reinforcing at each face in slabs and walls. This minimum requirement may be met by the transverse wires when wire mesh reinforcement is used.
Provide Class H concrete (f'c = 5,000 psi).

GENERAL NOTES:

Designs shown conform to ASTM C1577. Refer to ASTM C1577 for information or details not shown.
See Box Culverts Precast Miscellaneous Details (SCP-MD) standard sheet for details and notes not shown.
In lieu of furnishing the designs shown on this sheet, the contractor may furnish an alternate design that is equal to or exceeds the box design for the design fill height in the table. Submit shop plans for alternate designs in accordance with Item "Precast Concrete Structural Members (Fabrication)."

HL93 LOADING

		Bridge Division Standard	
SINGLE BOX CULVERTS PRECAST 7'-0" SPAN SCP-7			
FILE: CD-SCP07-20.dgn	DN: TxDOT	CK: TxDOT	DW: TxDOT
©TxDOT February 2020	CONT	SECT	JOB
REVISIONS			
DIST	COUNTY		SHEET NO.

① For box length = 8'-0"

② AS1 thru AS4, AS7 and AS8 are minimum required areas of reinforcing per linear foot of box length. AS5 is minimum required area of reinforcing per linear foot of box width.