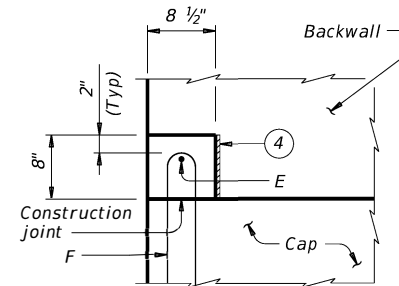
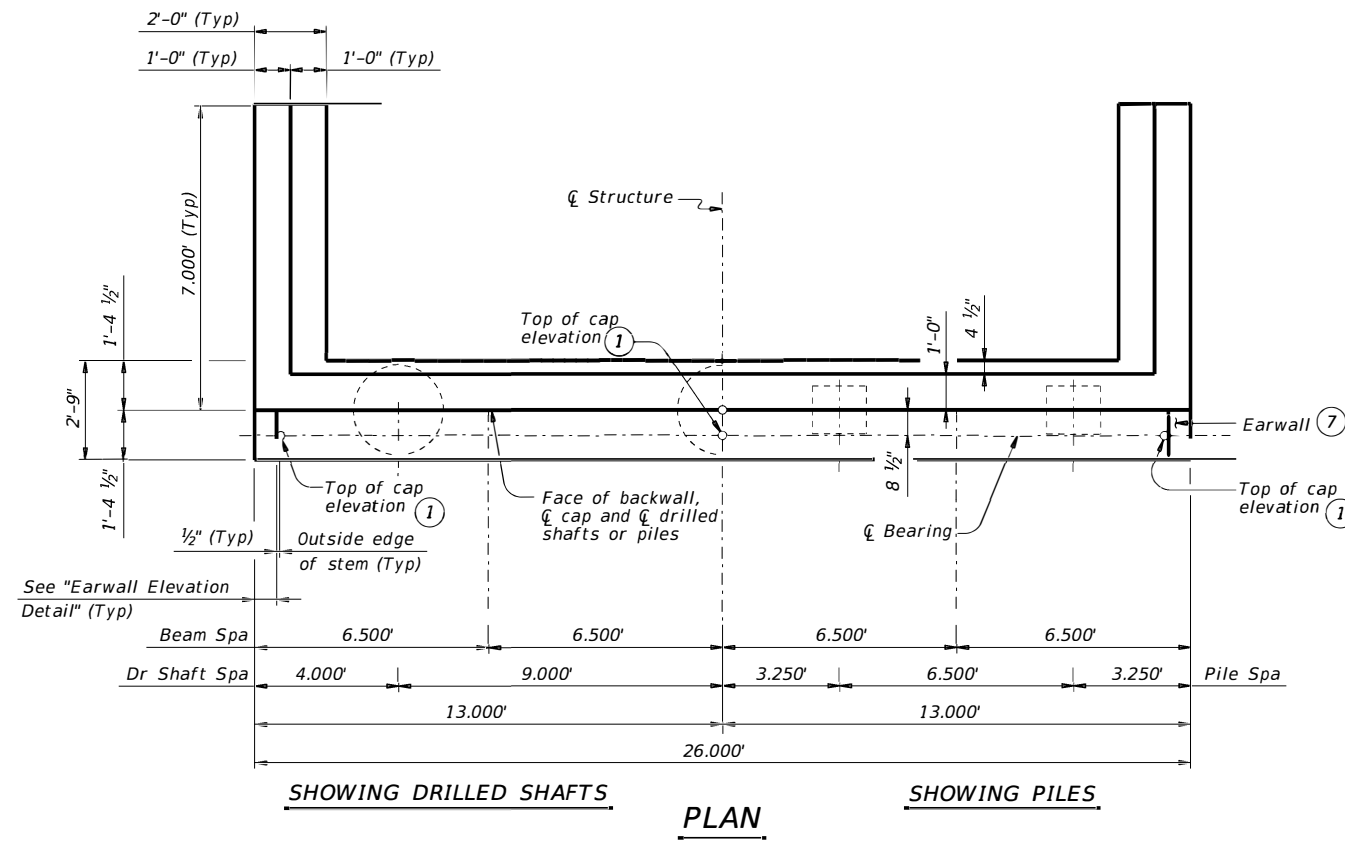


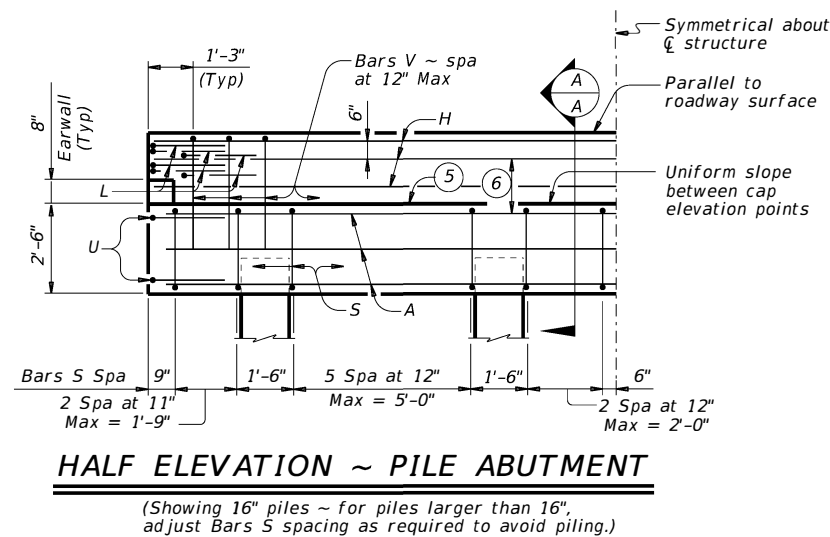
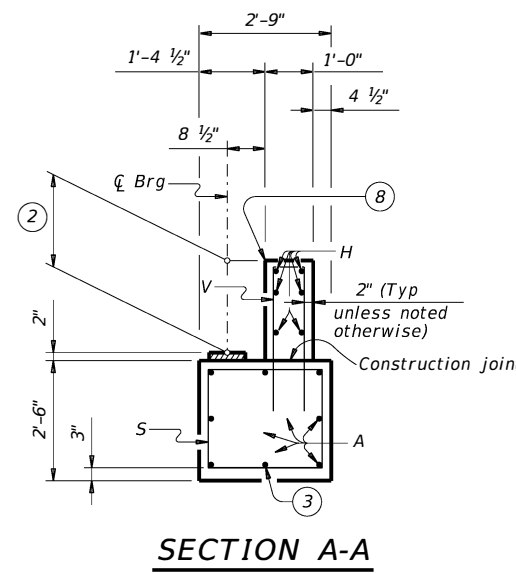
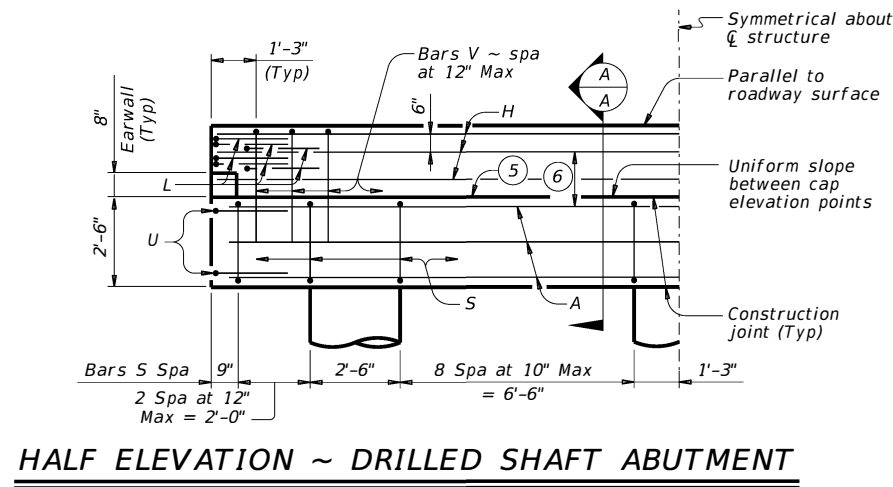
DISCLAIMER: This standard is governed by the "Texas Engineering Practice Act". No warranty of any kind is made by TxDOT for any purpose whatsoever. TxDOT assumes no responsibility for the conversion of this standard to other formats or for incorrect results or damages resulting from its use.



- ① Top of cap elevations are based on section depths shown on span details.
- ② 1'-8" for 6DS20 beams, 1'-11" for 6DS23 beams.
- ③ With pile foundations, replace Bar A, located at bottom centerline of cap with 3 ~ #11 x 5'-0" bars placed between piles. Deduct 53 Lbs from reinforcing steel total.
- ④ 1/2" preformed bituminous fiber material between beam stem and earwall. Bond to beam with an approved adhesive. Cast inside face of earwall with face of beam stem.
- ⑤ Surface finish top of cap with a textured, wood float. Level surface in the direction of the centerline of beams. Provide bearing surface clean and free of all loose material before placing bearing pads.
- ⑥ 2 spaces at 12" Max.
- ⑦ Do not cast earwalls until beams are erected in their final position.
- ⑧ Top of backwall elevation is equal to top of beam elevation.

TABLE OF FOUNDATION LOADS

Average Span Length	Drilled Shaft Loads	Vertical Pile Loads
Ft	Tons/DS	Tons/Pile
30	45	34
35	49	37
40	53	40
45	57	43
50	60	45
55	64	48
60	67	51



MATERIAL NOTES:
 Provide Class C concrete ($f'_c = 3,600$ psi).
 Provide Class C (HPC) concrete if shown elsewhere in the plans.
 Provide Grade 60 reinforcing steel.

GENERAL NOTES:
 Designed according to AASHTO LRFD Bridge Design Specifications.
 Designed for normal embankment header slope of 3:1 or 2:1.
 See Bridge Layout for header slope, beam type, and foundation type, size and length.
 See Common Foundation Details (FD) standard sheet for all foundation details and notes.
 See Concrete Riprap (CRR) standard sheet or Stone Riprap (SRR) standard sheet for riprap attachment details, if applicable.
 See applicable rail details for rail anchorage in wingwalls.
 This abutment does not accommodate an approach slab. These abutment details may be used with standard SDSB-24 only.

Cover dimensions are clear dimensions, unless noted otherwise.
 Reinforcing bar dimensions shown are out-to-out of bar.



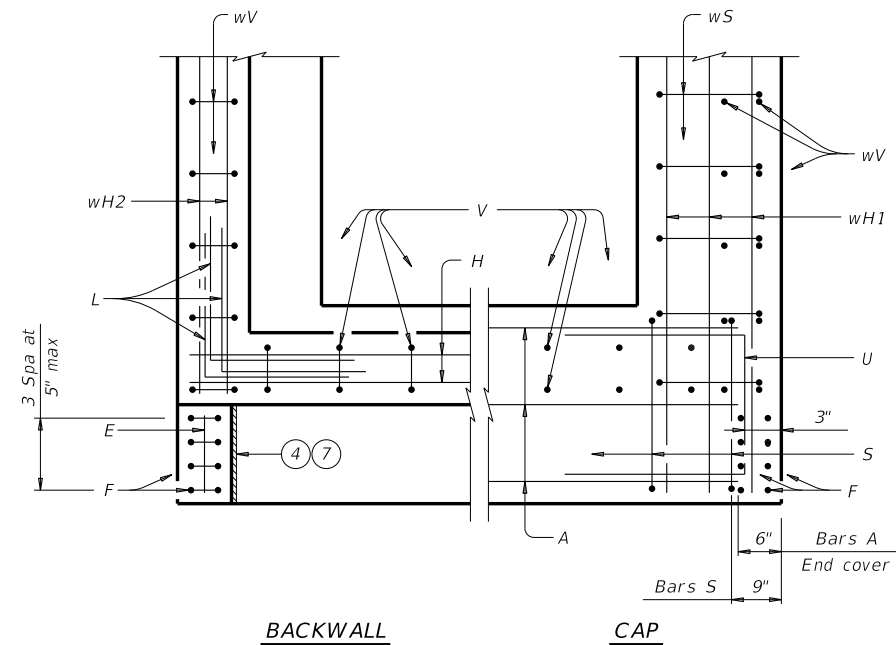
**ABUTMENTS
 PRESTRESSED CONCRETE
 DECKED SLAB BEAMS
 24' ROADWAY**

ADSB-24

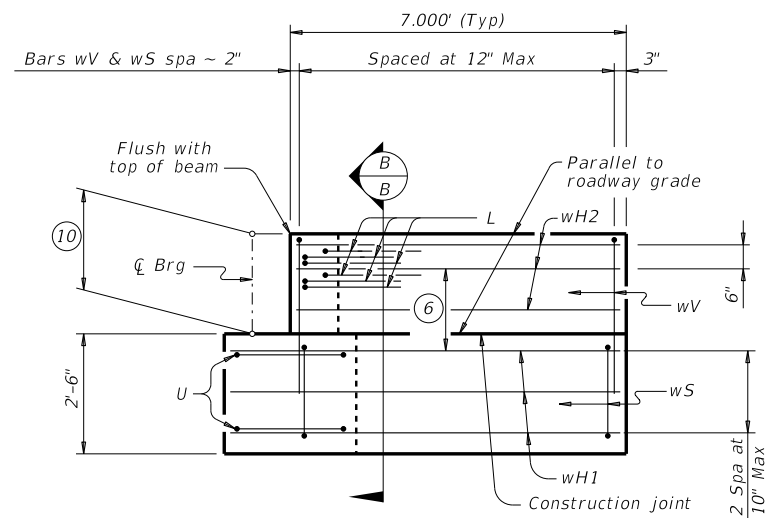
FILE: DSB-ADSB2400-20.dgn	DN: JLR	CK: SDC	DW: TxDOT	CK: TAR
©TxDOT August 2020	CONT	SECT	JOB	HIGHWAY
REVISIONS				
DIST	COUNTY		SHEET NO.	

DATE:
FILE:

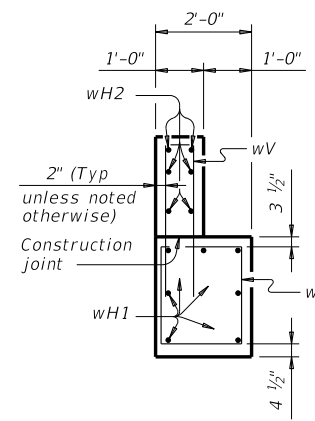
DISCLAIMER: This standard is governed by the "Texas Engineering Practice Act". No warranty of any kind is made by TxDOT for any purpose whatsoever. TxDOT assumes no responsibility for the conversion of this standard to other formats or for incorrect results or damages resulting from its use.



CORNER DETAILS



WINGWALL ELEVATION
(Earwall omitted for clarity)



SECTION B-B

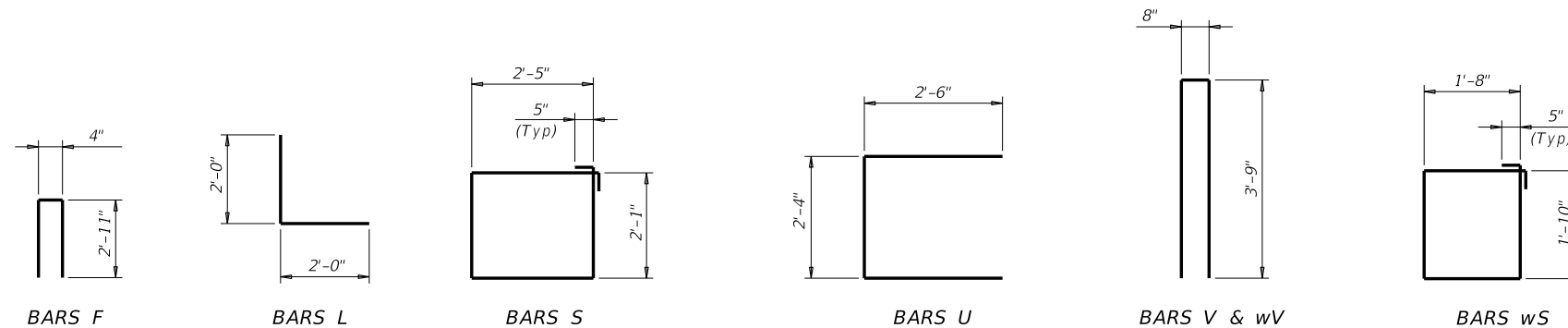


TABLE OF ESTIMATED QUANTITIES (TYPE 6DS20 BEAMS) ⑨

Bar	No.	Size	Length	Weight
A(3)	8	#11	25'-0"	1,063
E	2	#5	1'-1"	2
F	8	#4	6'-2"	33
H	6	#6	25'-8"	231
L	12	#6	4'-0"	72
S	24	#4	9'-10"	158
U	4	#6	7'-4"	44
V	25	#5	8'-2"	213
wH1	14	#6	8'-0"	168
wH2	12	#6	6'-8"	120
wS	16	#4	7'-10"	84
wV	16	#5	8'-2"	136

Reinforcing Steel	Lb	2,324
Class "C" Concrete (Abut)	CY	11.3

TABLE OF ESTIMATED QUANTITIES (TYPE 6DS23 BEAMS) ⑨

Bar	No.	Size	Length	Weight
A(3)	8	#11	25'-0"	1,063
E	2	#5	1'-1"	2
F	8	#4	6'-2"	33
H	6	#6	25'-8"	231
L	12	#6	4'-0"	72
S	24	#4	9'-10"	158
U	4	#6	7'-4"	44
V	25	#5	8'-2"	213
wH1	14	#6	8'-0"	168
wH2	12	#6	6'-8"	120
wS	16	#4	7'-10"	84
wV	16	#5	8'-2"	136

Reinforcing Steel	Lb	2,324
Class "C" Concrete (Abut)	CY	11.7

- ③ With pile foundations, replace Bar A, located at bottom centerline of cap with 3 ~ #11 x 5'-0" bars placed between piles. Deduct 53 Lbs from reinforcing steel total.
- ④ 1/2" preformed bituminous fiber material between beam stem and earwall. Bond to beam with an approved adhesive. Cast inside face of earwall with face of beam stem.
- ⑥ 2 spaces at 12" Max.
- ⑦ Do not cast earwalls until beams are erected in their final position.
- ⑨ Quantities shown are for one abutment only.
- ⑩ 1'-10" for 6DS20 beams, 2'-1" for 6DS23 beams.

HL93 LOADING SHEET 2 OF 2



**ABUTMENTS
PRESTRESSED CONCRETE
DECKED SLAB BEAMS
24' ROADWAY**

ADSB-24

FILE: DSB-ADSB2400-20.dgn	DN: JLR	CK: SDC	DW: TxDOT	CK: TAR
©TxDOT August 2020	CONT	SECT	JOB	HIGHWAY
REVISIONS				
	DIST	COUNTY		SHEET NO.

DATE:
FILE: