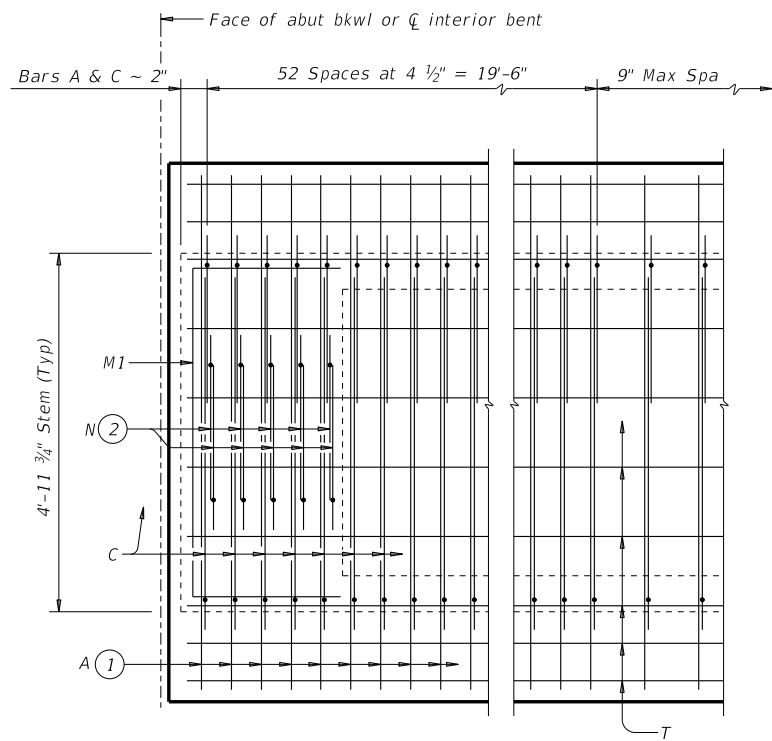
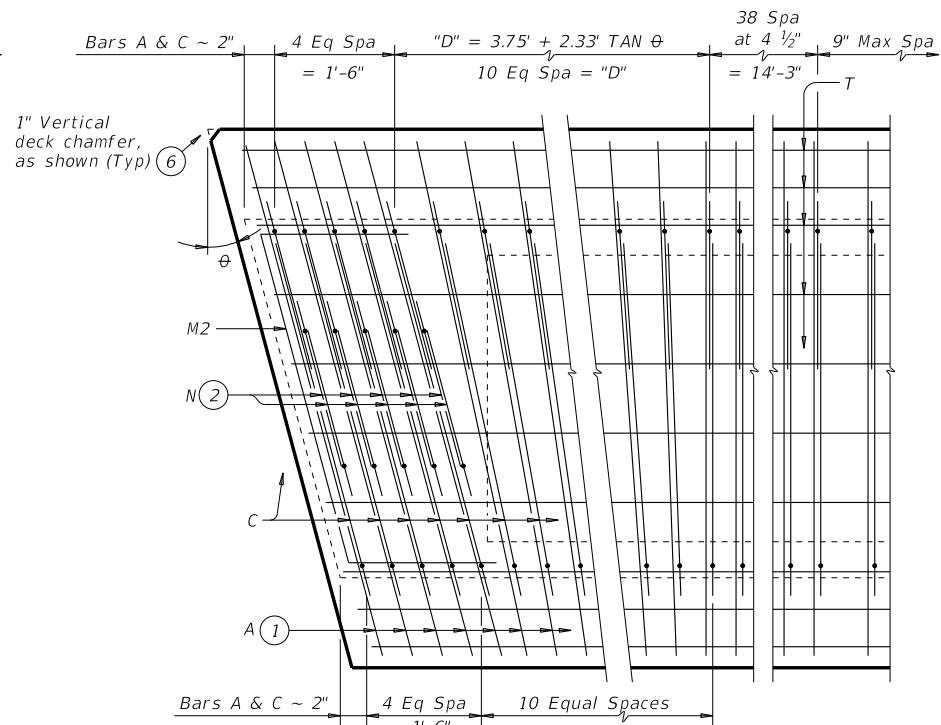


DISCLAIMER: This standard is governed by the "Texas Engineering Practice Act". No warranty of any kind is made by TxDOT for any purpose whatsoever. TxDOT assumes no responsibility for the conversion of this standard to other formats or for incorrect results or damages resulting from its use.



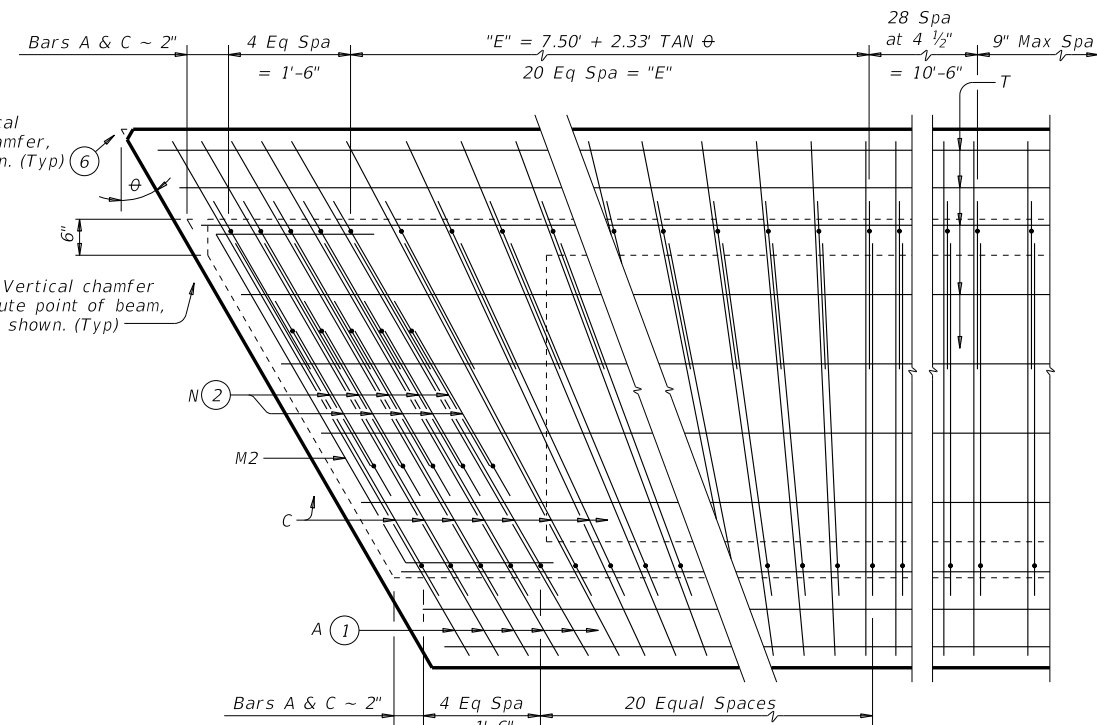
PART PLAN

(Bars D not shown for clarity.)



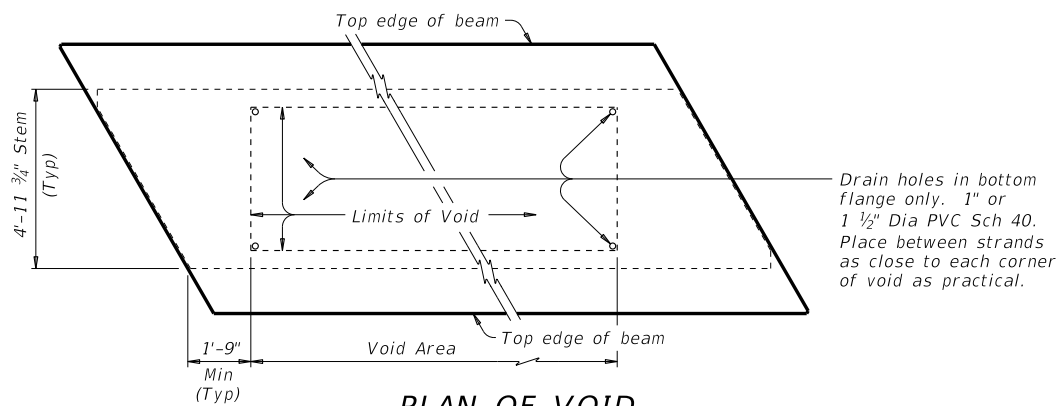
PART SKEW PLAN

(Bars D not shown for clarity.)
(Showing θ over 0° to 15° skew.)

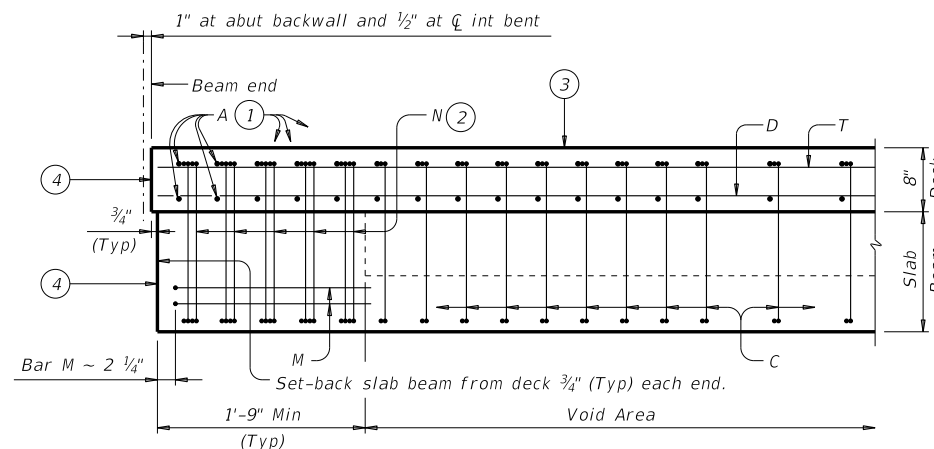


PART SKEW PLAN

(Bars D not shown for clarity.)
(Showing θ over 15° to 30° skew.)

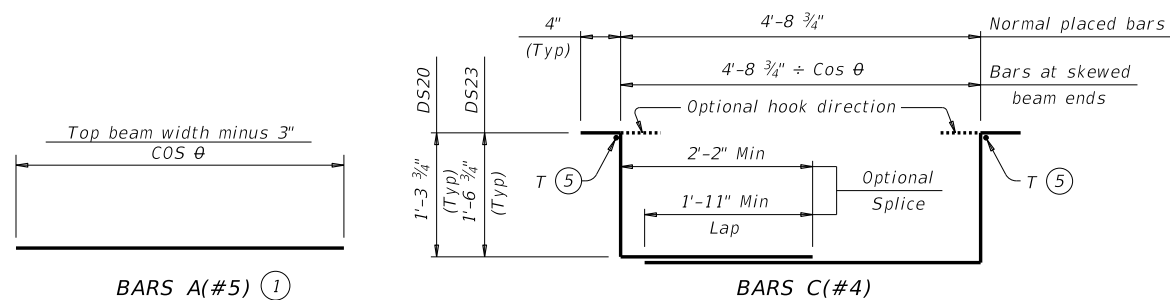


PLAN OF VOID



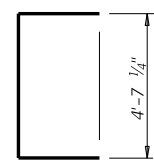
PART TYPICAL ELEVATION

- ① Bottom Bar A may be bent to clear lateral connector deformed bar anchors.
- ② Place Bars N with Bars C as shown.
- ③ Provide tine finish or stiff broom finish in accordance with Item 424, "Precast Concrete Structural Members (Fabrication)".
- ④ Beam ends must be vertical in the finished structure.
- ⑤ Place Bar T in each hook.
- ⑥ At the Fabricator's option, 1/2" foam strip may be placed on bottom of deck to reduce corner loading at release.
- ⑦ No portion of bar less than 10 ft.

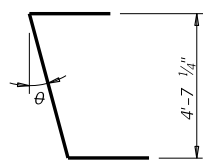


BARS A (#5) ①

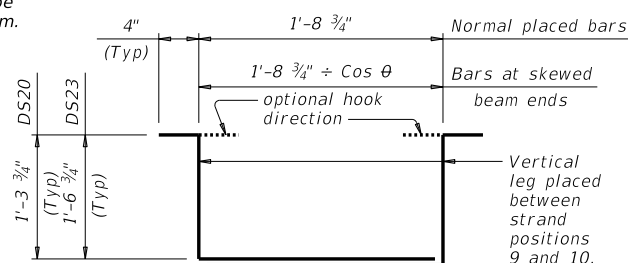
BARS C (#4)
Optional splice may be on either side of beam.



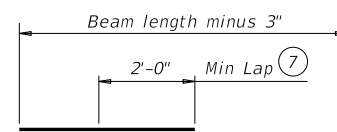
BARS M1 (#4)



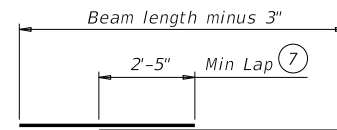
BARS M2 (#4)



BARS N (#4)



BARS D (#5)



BARS T (#6)

HL93 LOADING SHEET 1 OF 2



**PRESTRESSED CONCRETE
DECKED SLAB BEAM
DETAILS**

DSBD

FILE: DSB-DSBD-20.dgn	DN: AEE	CK: JMH	DW: JTR	CK: TxDOT
©TxDOT August 2020	CONT	SECT	JOB	HIGHWAY
REVISIONS				
DIST	COUNTY			SHEET NO.

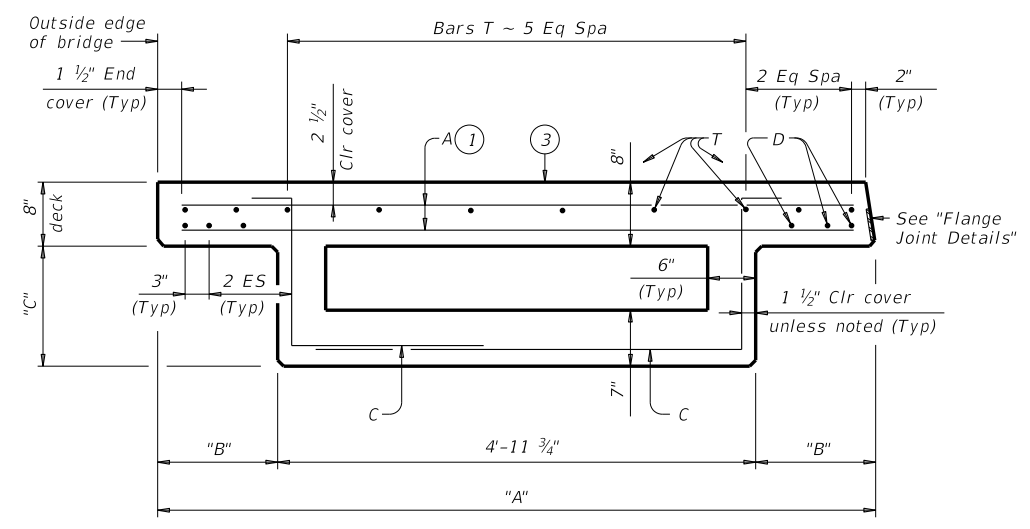
DATE: FILE:

BEAM SECTION PROPERTIES

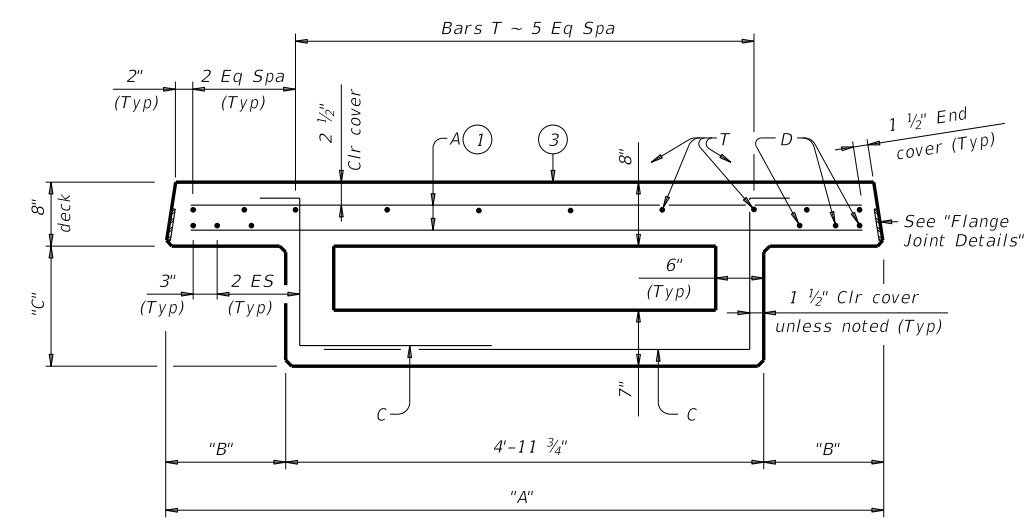
Beam Type	Y _t (in)	Y _b (in)	Area (in ²)	I (in ⁴)	Weight (plf)
6DS20	9.18	10.82	1,087	43,704	1,170
7DS20	8.76	11.24	1,183	46,580	1,273
8DS20	8.57	11.43	1,231	47,879	1,325
6DS23	10.46	12.54	1,123	64,997	1,209
7DS23	9.95	13.05	1,219	69,202	1,312
8DS23	9.73	13.27	1,267	71,095	1,364

BEAM DIMENSIONS

Beam Type	"A"	"B"	"C"
6DS20	6'-5 3/4"	9"	1'-0"
7DS20	7'-5 3/4"	1'-3"	1'-0"
8DS20	7'-11 3/4"	1'-6"	1'-0"
6DS23	6'-5 3/4"	9"	1'-3"
7DS23	7'-5 3/4"	1'-3"	1'-3"
8DS23	7'-11 3/4"	1'-6"	1'-3"

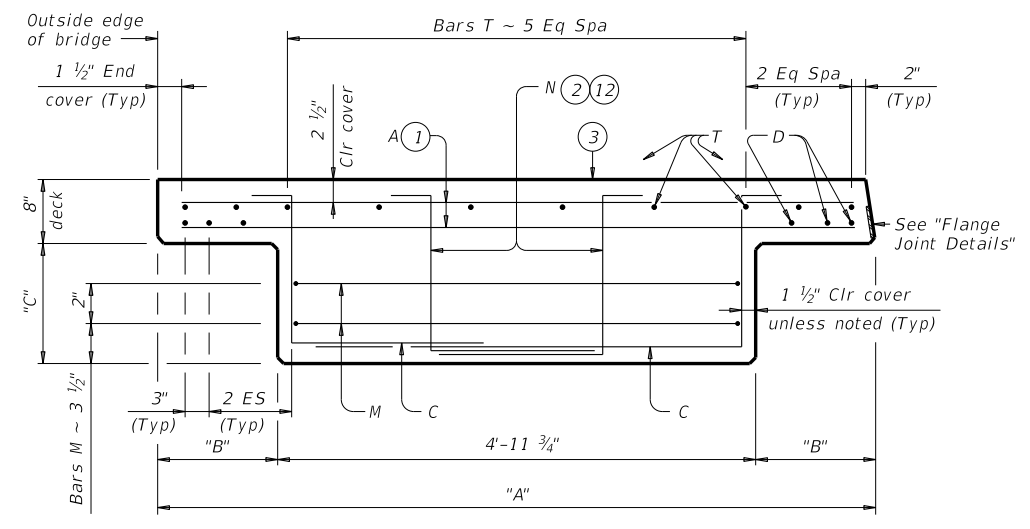


EXTERIOR BEAM

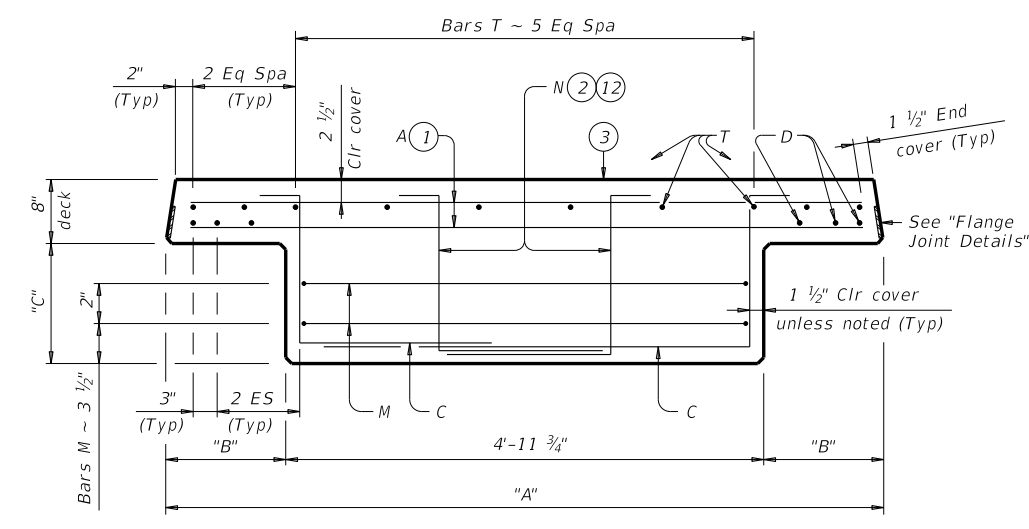


INTERIOR BEAM

TYPICAL SECTIONS



EXTERIOR BEAM



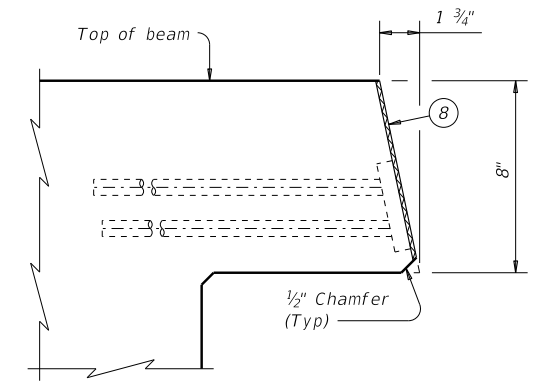
INTERIOR BEAM

END SECTIONS

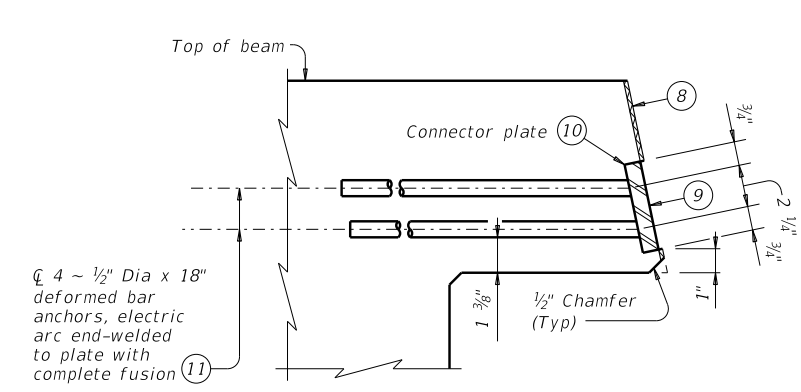
- ①
- ②
- ③
- ⑧
- ⑨
- ⑩
- ⑪
- ⑫
- ⑬ Assum

GENERAL NOTES:

Cover dimensions are clear dimensions, unless noted otherwise. Reinforcing bar dimensions shown are out-to-out of bar.



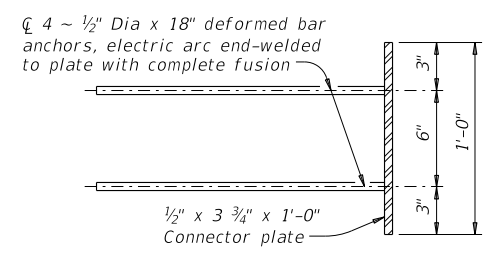
SECTION BETWEEN LATERAL CONNECTORS



SECTION AT LATERAL CONNECTOR

FLANGE JOINT DETAILS

Showing lateral connector.



LATERAL CONNECTOR PLAN



FILE:	DN: AEE	CK: JMH	DW: JTR	CK: TXDOT
©TXDOT August 2020 REVISIONS	CONT	SECT	JOB	HIGHWAY
	DIST	COUNTY	SHEET NO.	

DATE:
FILE: