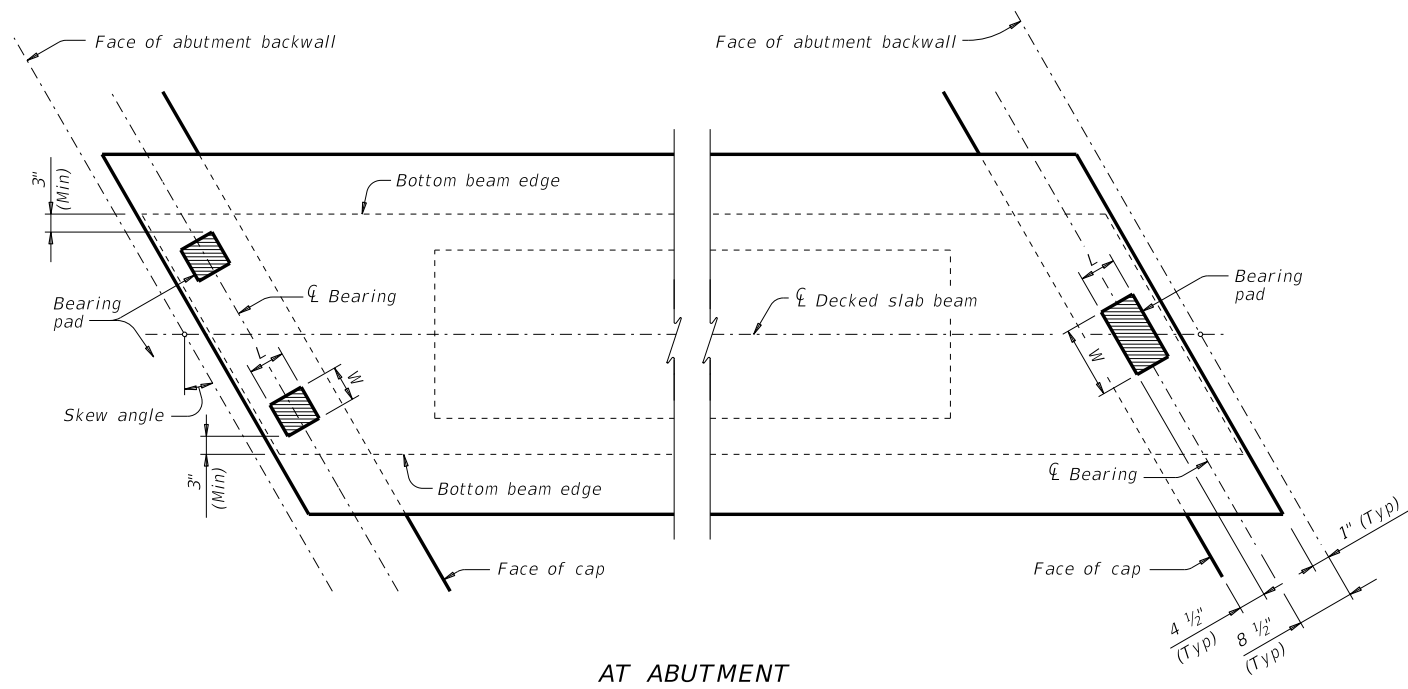
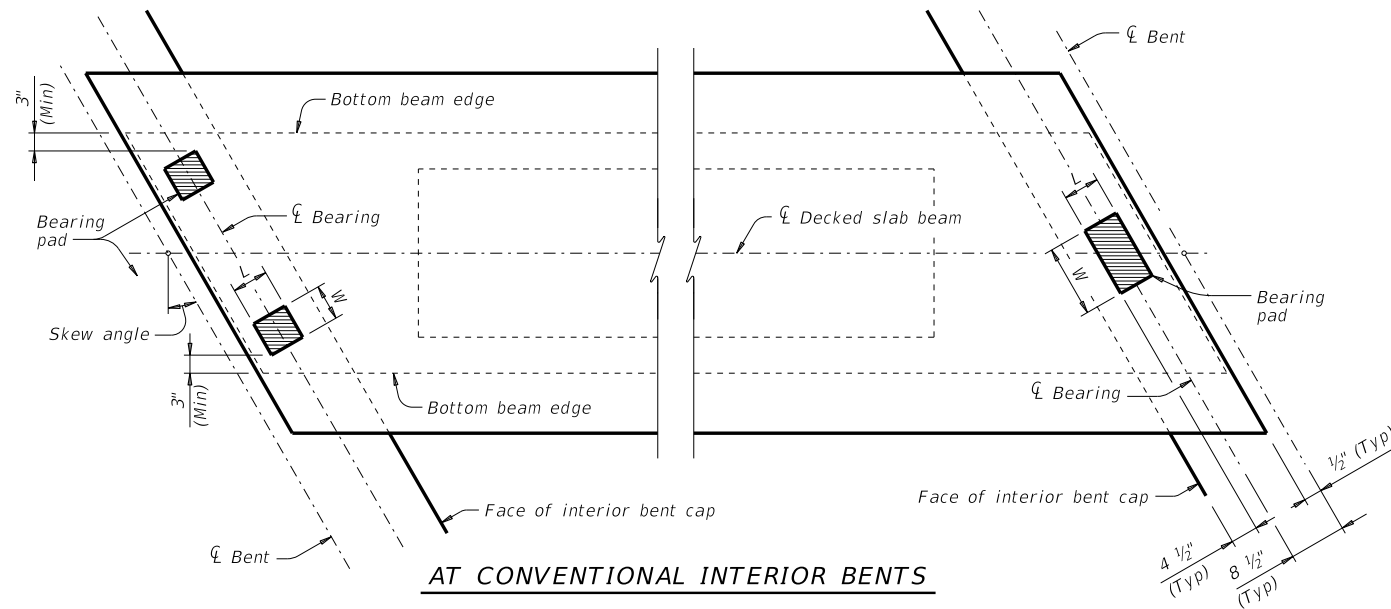


DISCLAIMER: This standard is governed by the "Texas Engineering Practice Act". No warranty of any kind is made by TxDOT for any purpose whatsoever. TxDOT assumes no responsibility for the conversion of this standard to other formats or for incorrect results or damages resulting from its use.

DATE:
FILE:



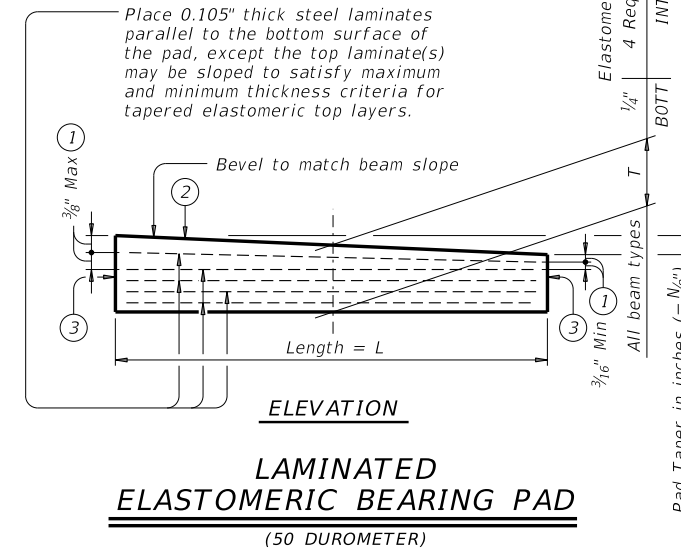
AT ABUTMENT



AT CONVENTIONAL INTERIOR BENTS

BEARING PAD PLACEMENT AND BEAM END DIAGRAMS

Place one bearing pad at forward station beam end.
Place two bearing pads at back station beam end.



LAMINATED ELASTOMERIC BEARING PAD
(50 DUROMETER)

TABLE OF BEARING PAD DIMENSIONS

One-Pad (Type DSB1-"N")			Two-Pad (Type DSB2-"N")		
W	L	T	W	L	T
14"	7"	2"	8"	7"	2"

- Maximum and minimum layer thicknesses shown are for elastomer only, on tapered layers.
- Indicate BEARING TYPE on all pads. For tapered pads, locate BEARING TYPE on the high side. The Fabricator must include the value of "N" (amount of taper in 1/8" increments) in this mark. Examples: N=0, (for 0" taper)
N=1, (for 1/8" taper)
N=2, (for 1/4" taper) (etc.)
Fabricated pad top surface slope must not vary from plan beam slope by more than (0.0625" / Length) IN/IN.
- Locate permanent mark here.

GENERAL NOTES:

Constant thickness bearings may be used for moderate beam slopes up to 0.01 ft/ft.
For skewed supports, Bearings beveled for beam slope may not provide uniform contact. However, predicted contact is considered within allowable tolerances.
Shop drawings for approval are required.
A bearing layout which identifies location and orientation of all bearings must be developed by the bearing fabricator. Permanently mark each bearing in accordance with the bearing layout. A copy of the bearing layout is to be provided to the Engineer.
Cost of furnishing and installing elastomeric bearings is to be included in unit price bid for "Prestressed Concrete Decked Slab Beams".
Details are drawn showing right forward skew. See Bridge Layout for actual direction.
These details are applicable for skews up to 30 degrees only.

HL93 LOADING



ELASTOMERIC BEARING AND BEAM END DETAILS PRESTRESSED CONCRETE DECKED SLAB BEAMS DSBE

FILE: DSB-DSBEB-20.dgn	DN: AEE	CK: JMH	DW: TxDOT	CK: TxDOT
©TxDOT August 2020	CONT	SECT	JOB	HIGHWAY
REVISIONS				
	DIST	COUNTY		SHEET NO.