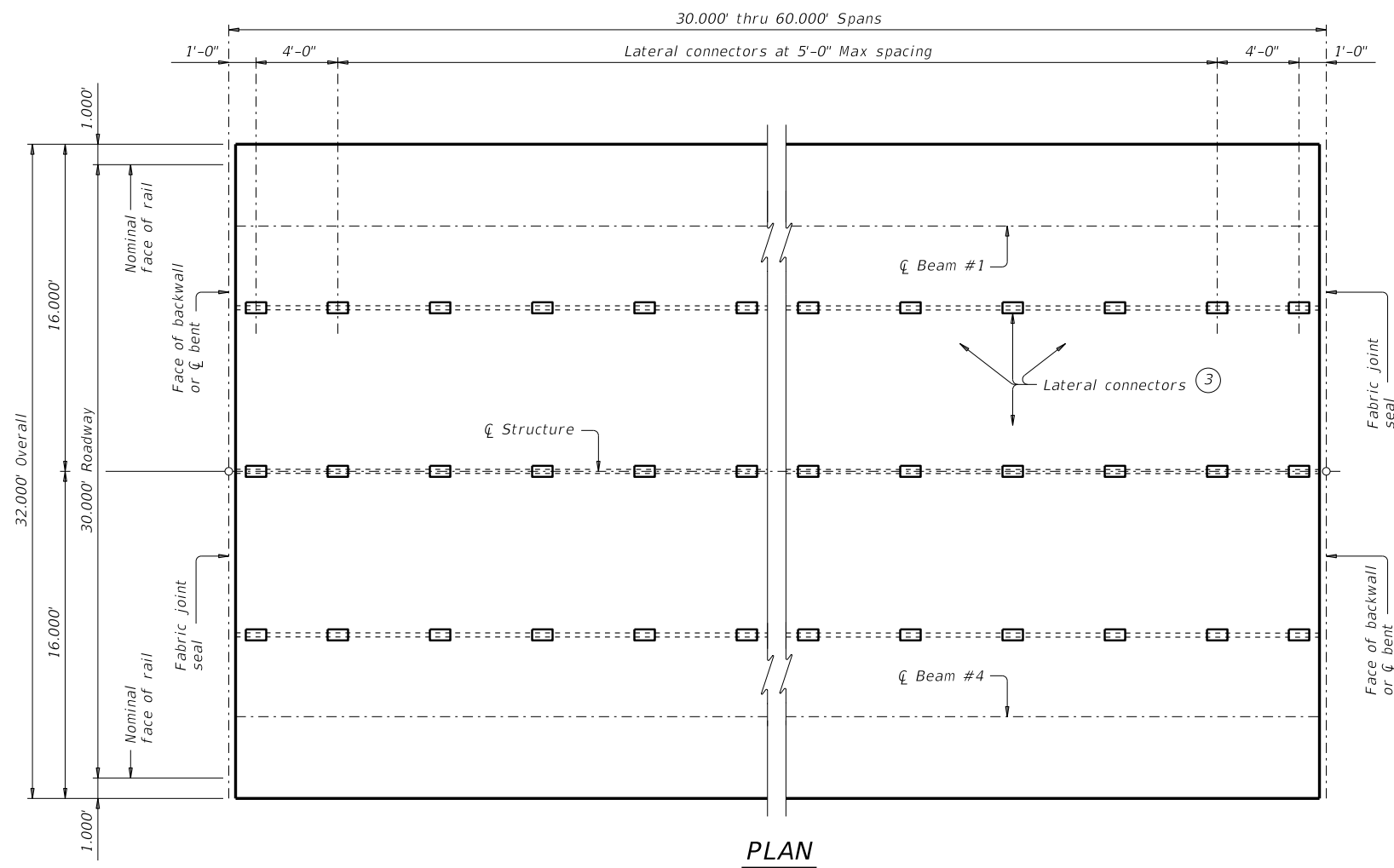
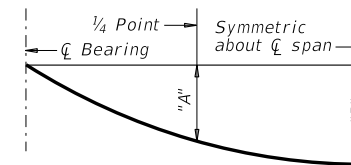


DISCLAIMER: The use of this standard is governed by the "Texas Engineering Practice Act". No warranty of any kind is made by TxDOT for any purpose whatsoever. TxDOT assumes no responsibility for the conversion of this standard to other formats or for incorrect results or damages resulting from its use.

DATE: FILE:

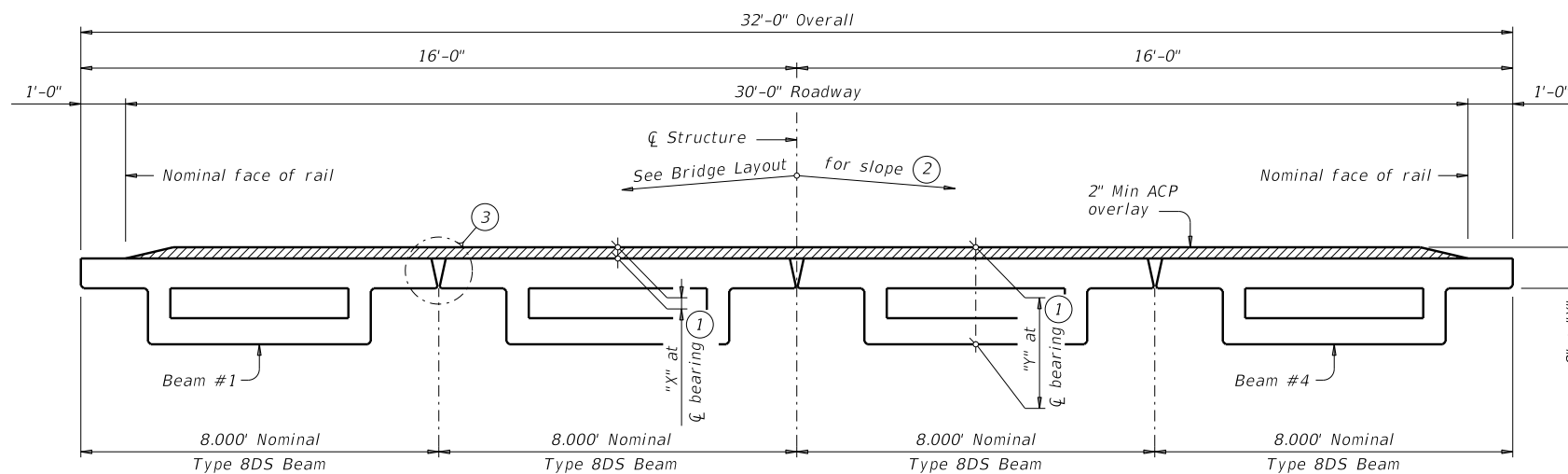


- Based on theoretical beam camber, dead load deflections of two-course surface treatment and 2" ACP overlay, and a constant grade.
- This standard does not provide for changes in roadway cross-slopes within the structure.
- See Lateral Connector Details.



Deflections shown are due to two-course surface treatment and 2" ACP overlay only, ($E_c = 5000$ ksi). Calculated deflections shown are theoretical and actual dimension may be less. Adjust based on field verifications.

DEAD LOAD DEFLECTION DIAGRAM



TYPICAL TRANSVERSE SECTION

TABLE OF VARIABLE VALUES

SPAN LENGTH	BEAM TYPE	DEAD LOAD DEFLECTIONS		SECTION DEPTHS (1)	
		"A"	"B"	"X" AT ϕ BEARING	"Y" AT ϕ BEARING
Ft		Ft	Ft	In	Ft/In
30	8DS20	0.001	0.001	2 1/2"	1'-10 1/2"
35	8DS20	0.001	0.002	2 3/4"	1'-10 3/4"
40	8DS20	0.002	0.003	3"	1'-11"
45	8DS20	0.004	0.005	3 1/2"	1'-11 1/2"
50	8DS20	0.006	0.008	4 1/2"	2'-0 1/2"
30	8DS23	0.001	0.001	2 1/2"	2'-1 1/4"
35	8DS23	0.001	0.001	2 1/2"	2'-1 1/2"
40	8DS23	0.002	0.002	2 3/4"	2'-1 3/4"
45	8DS23	0.003	0.004	3"	2'-2"
50	8DS23	0.004	0.006	3 1/2"	2'-2 1/2"
55	8DS23	0.006	0.008	4"	2'-3"
60	8DS23	0.008	0.012	4 3/4"	2'-3 3/4"

MATERIAL NOTES:

Provide Grade 36 or 50 Lateral Connector Rods (LCR).

GENERAL NOTES:

Designed according to AASHTO LRFD Bridge Design Specifications.

See applicable railing details and standard Prestressed Concrete Decked Slab Beams Rail Anchorage Details (DSBRA) for rail anchorage.

This standard does not support the use of transition bents.

It is recommended, with crown cross-slope, to erect beams adjacent to crown point first. For structures without a crown point, it is recommended to erect beams on the high side of cross-slope first and progress to the low side.

Payment for the following is considered subsidiary to the other bid items: packaged non-metallic, non-shrink cementitious grout; corrosion inhibiting bonding agent; fabric underseal; work performed; materials furnished; and curing time.

Payment for fabric joint seal is considered subsidiary to other bid items.

HL93 LOADING

SHEET 1 OF 2

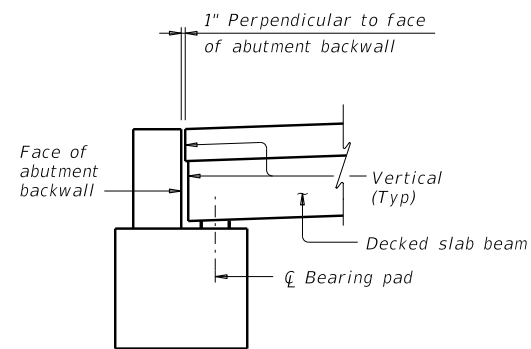


PRESTRESSED CONCRETE DECKED SLAB BEAM SPANS (TYPE 8DS20 OR 8DS23) 30' ROADWAY SDSB-30

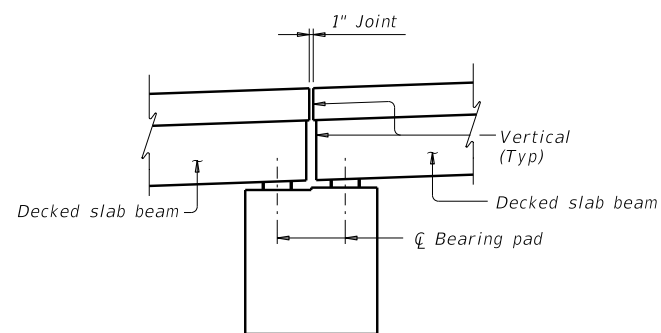
FILE: DSB-SDSB3000-20.dgn	DN: JLR	CK: SDC	DW: SFS	CK: JLR
©TxDOT August 2020	CONT	SECT	JOB	HIGHWAY
REVISIONS				
	DIST	COUNTY		SHEET NO.

TABLE OF ESTIMATED QUANTITIES

SPAN LENGTH	BEAM TYPE	PRESTRESSED CONCRETE DECKED SLAB BEAMS (4)		
		ABUTMENT TO INTERIOR BENT	INTERIOR BENT TO INTERIOR BENT	ABUTMENT TO ABUTMENT
Ft		LF	LF	LF
30	8DS20	119.50	119.67	119.33
35	8DS20	139.50	139.67	139.33
40	8DS20	159.50	159.67	159.33
45	8DS20	179.50	179.67	179.33
50	8DS20	199.50	199.67	199.33
30	8DS23	119.50	119.67	119.33
35	8DS23	139.50	139.67	139.33
40	8DS23	159.50	159.67	159.33
45	8DS23	179.50	179.67	179.33
50	8DS23	199.50	199.67	19



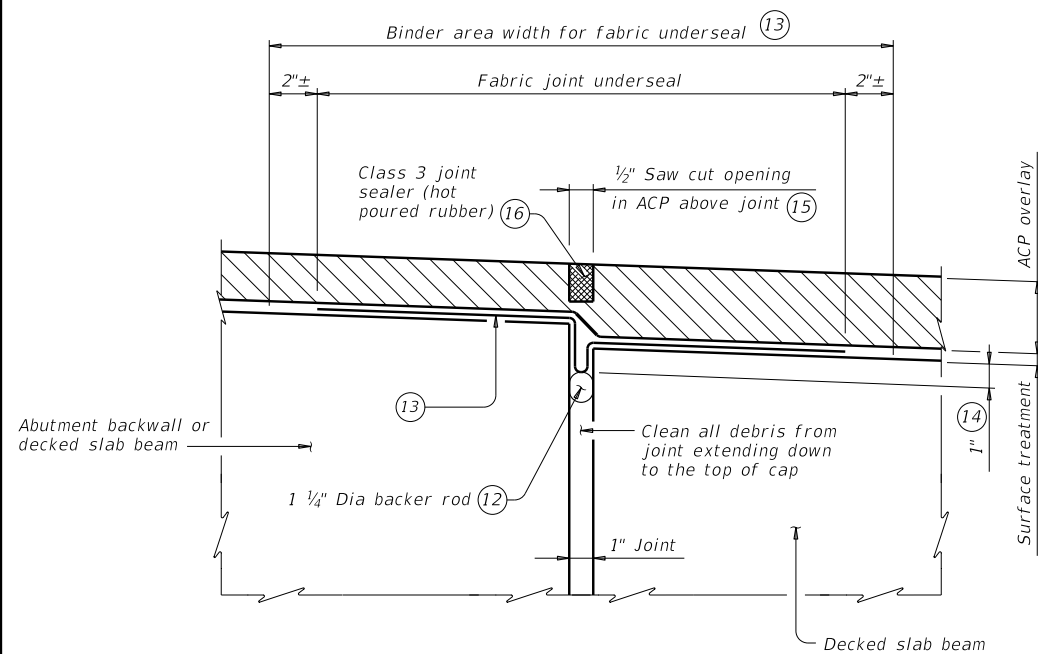
AT ABUTMENT



AT INTERIOR BENT

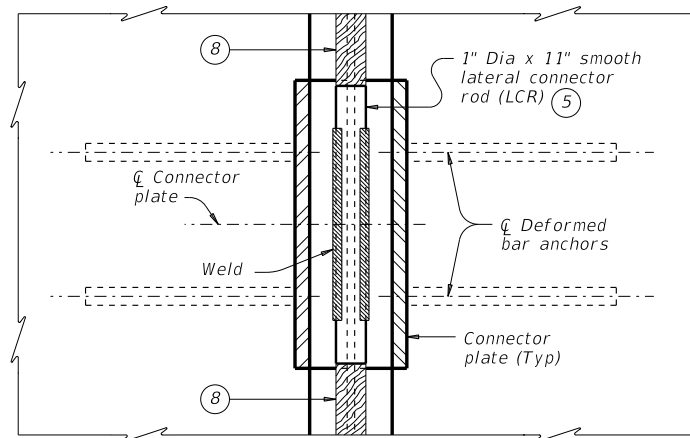
STANDARD BEAM END ELEVATIONS

(ACP overlay not shown for clarity.)

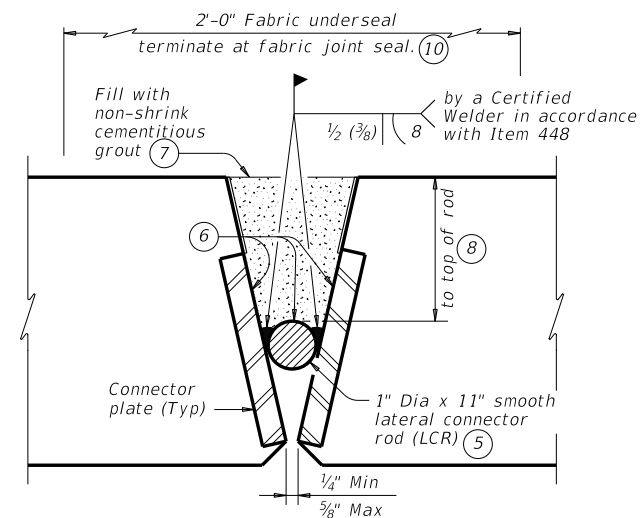


FABRIC JOINT SEAL (11)

(Showing expansion joint with ACP overlay.)



PLAN



SECTION

LATERAL CONNECTOR DETAILS (9)

Do not apply load to beams while welding lateral connector rods.
No vehicles are allowed on the span until shear key grout has cured 72 hours.

HL93 LOADING

SHEET 2 OF 2

Texas Department of Transportation Bridge Division Standard

FILE:	DN:	CK:	DW:	CK:
©TxDOT August 2020	CONT	SECT	JOB	HIGHWAY
REVISIONS	DIST	COUNTY	SHEET NO.	

DATE:
FILE: