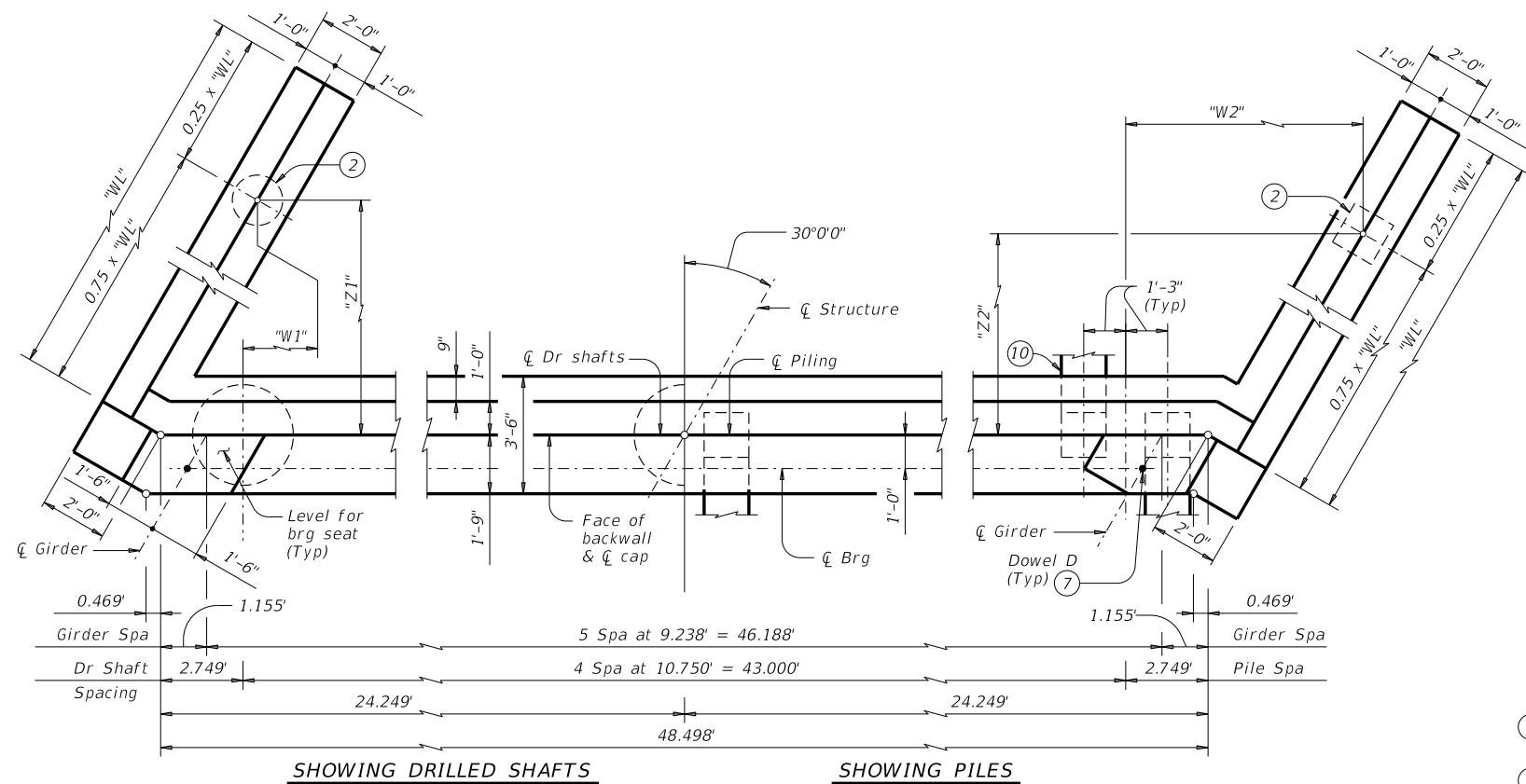


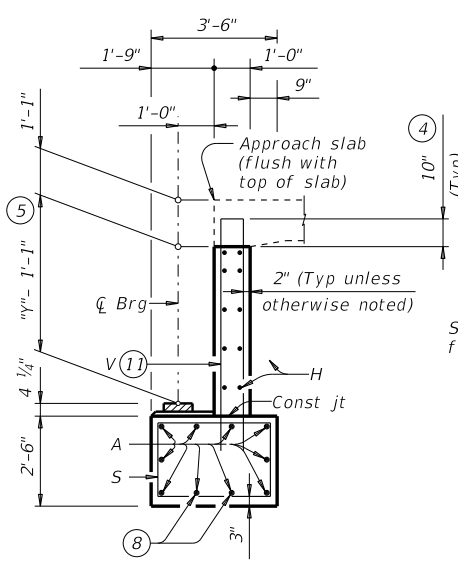
DISCLAIMER: The use of this standard is governed by the "Texas Engineering Practice Act". No warranty of any kind is made by TxDOT for any purpose whatsoever. TxDOT assumes no responsibility for the conversion of this standard to other formats or for incorrect results or damages resulting from its use.



SHOWING DRILLED SHAFTS

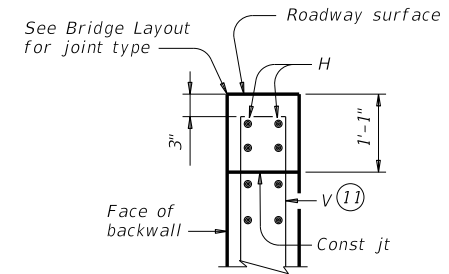
SHOWING PILES

PLAN 1



SECTION A-A

(With approach slab) 6



BACKWALL DETAIL

(Without approach slab) 6

- 1 See Table A for variable dimensions based on header slope and girder type.
- 2 See Table A to determine if wingwall foundations are required.
- 3 For piling larger than 16" adjust Bars S spacing as required to avoid piling.
- 4 Increase as required to maintain 3" from finished grade.
- 5 See Span details for "Y" value.
- 6 See Bridge Layout to determine if approach slab is present.
- 7 Omit Dowels D at end of multi-span unit. Adjust reinforcing steel total accordingly.
- 8 With pile foundations, move Bars A shown to clear piles.
- 9 Spacing based on girder type:
Tx28 ~ 3 spaces at 1'-0" Max
Tx34 ~ 3 spaces at 1'-0" Max
Tx40 ~ 4 spaces at 1'-0" Max
Tx46 ~ 4 spaces at 1'-0" Max
Tx54 ~ 5 spaces at 1'-0" Max
- 10 See Detail A on FD standard.
- 11 Field bend as needed to clear piles.

GENERAL NOTES:
 Designed according to AASHTO LRFD Bridge Design Specifications.
 See Bridge Layout for header slope and foundation type, size and length.
 See Common Foundation Details (FD) standard sheet for all foundation details and notes.
 See Concrete Riprap (CRR) standard sheet or Stone Riprap (SRR) standard sheet for riprap attachment details, if applicable.
 See applicable rail details for rail anchorage in wingwalls.
 Details are drawn showing right forward skew. See Bridge Layout for actual skew direction.
 These abutment details may be used with standard SIG-44-30 only.

Cover dimensions are clear dimensions, unless noted otherwise.
 Reinforcing bar dimensions shown are out-to-out of bar.

MATERIAL NOTES:
 Provide Class C concrete ($f'_c = 3,600$ psi).
 Provide Class C (HPC) concrete if shown elsewhere in the plans.
 Provide Grade 60 reinforcing steel.
 Galvanize dowel bars D.

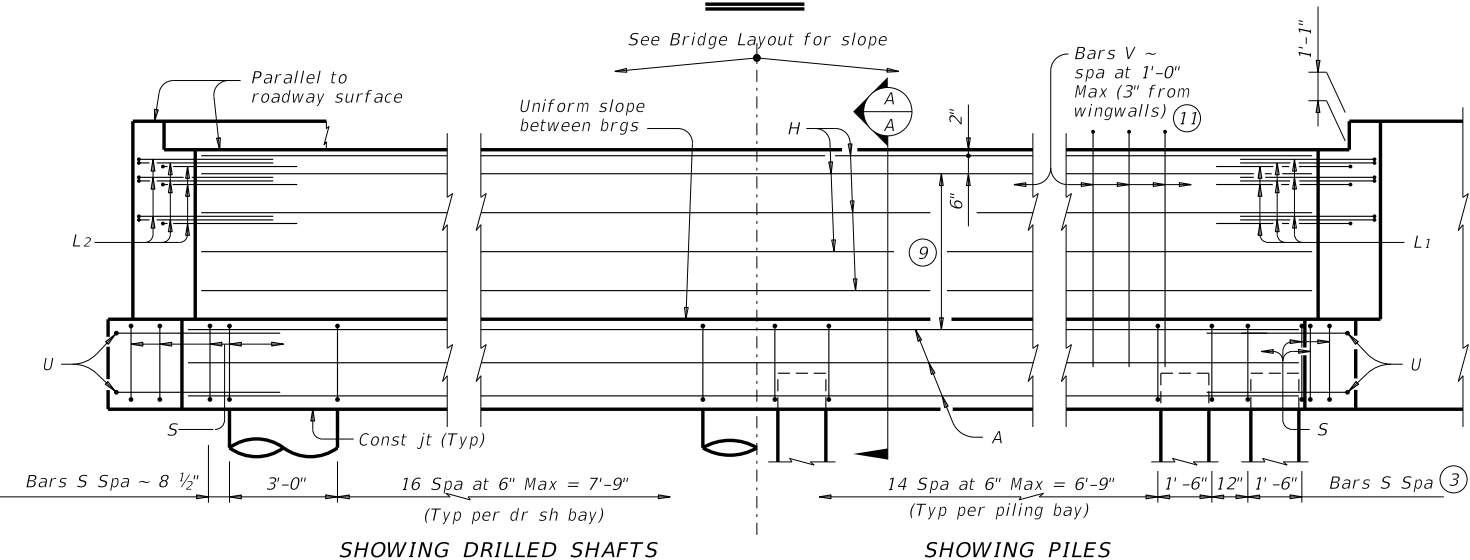
HL93 LOADING SHEET 1 OF 3



ABUTMENTS
 TYPE TX28 THRU TX54
 PRESTR CONC I-GIRDERS
 44' ROADWAY 30° SKEW

AIG-44-30

FILE: IG-AIG4430-23.dgn	DN: TAR	CK: KCM	DW: JTR	CK: TAR
©TxDOT August 2017	CONT	SECT	JOB	HIGHWAY
10-2023 ~ Stirrup Spa	DIST	COUNTY	SHEET NO.	

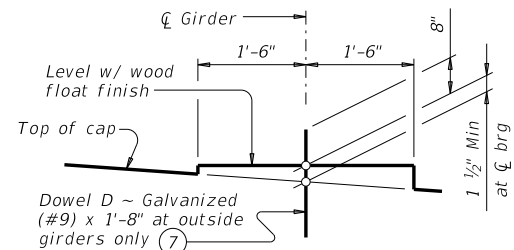


SHOWING DRILLED SHAFTS

SHOWING PILES

ELEVATION

Header Slope	Girder Type	Wingwall Type	Wingwall Lgth "WL"	"W1"	"Z1"	"W2"	"Z2"
2:1	Tx28	Cantilevered	10.000'	Not Applicable			
	Tx34	Cantilevered	11.000'	Not Applicable			
	Tx40	Cantilevered	12.000'	Not Applicable			
	Tx46	Founded	14.000'	1.635'	9.593'	8.865'	8.593'
	Tx54	Founded	15.000'	2.010'	10.243'	9.240'	9.243'
3:1	Tx28	Founded	14.000'	1.635'	9.593'	8.865'	8.593'
	Tx34	Founded	16.000'	2.385'	10.892'	9.615'	9.892'
	Tx40	Founded	18.000'	3.135'	12.191'	10.365'	11.191'
	Tx46	Founded	20.000'	3.885'	13.490'	11.115'	12.490'
	Tx54	Founded	22.000'	4.635'	14.789'	11.865'	13.789'



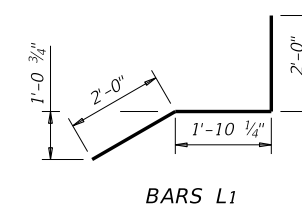
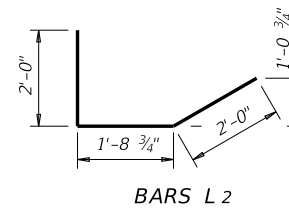
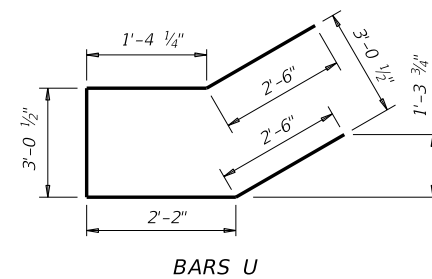
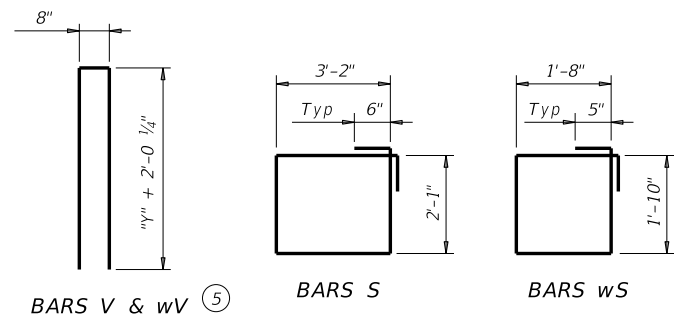
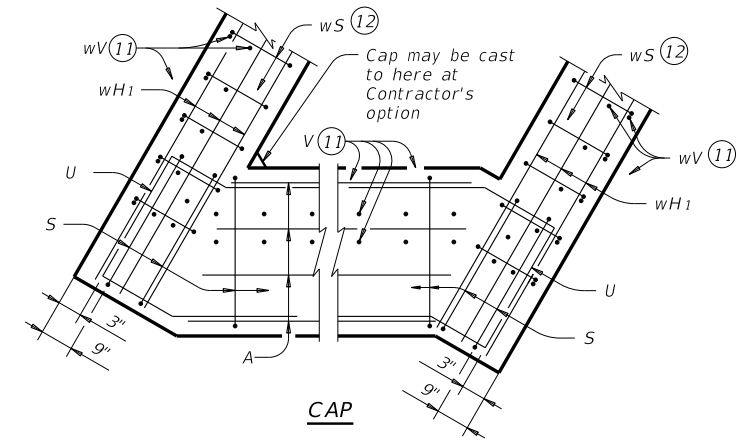
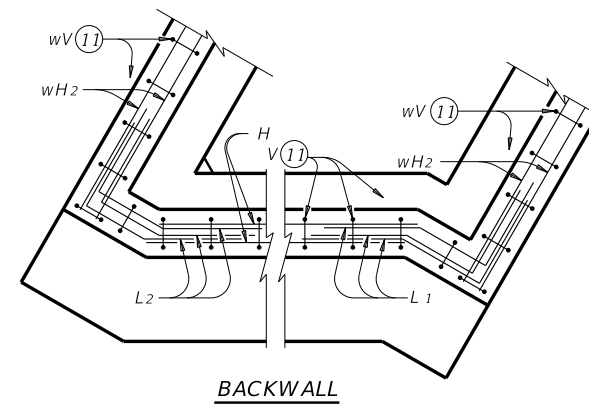
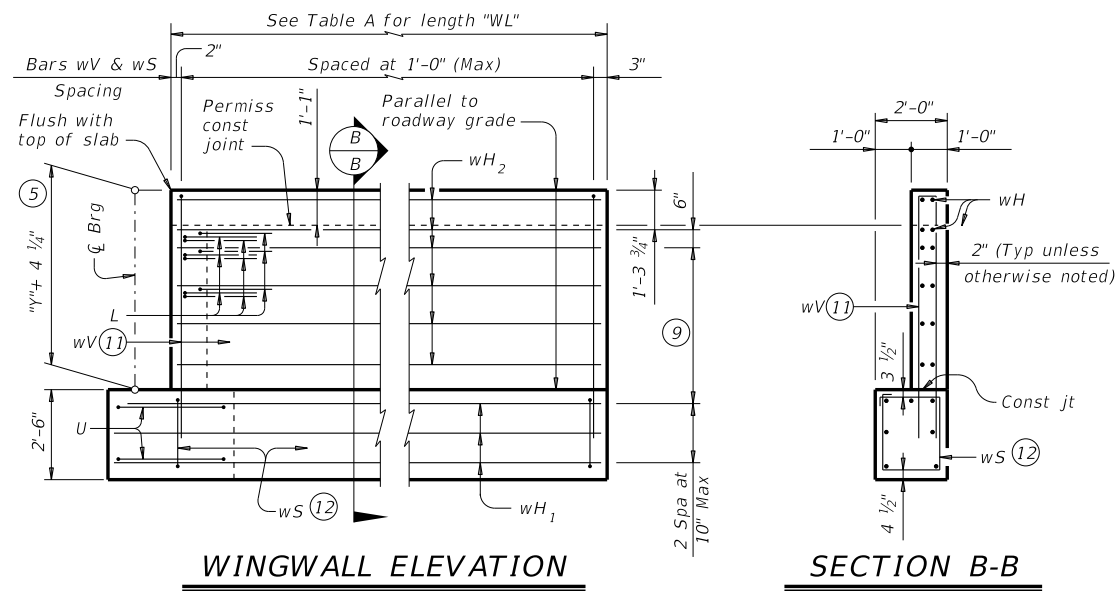
BEARING SEAT DETAIL

(Bearing surface must be clean and free of all loose material before placing bearing pad.)

DATE: FILE:

DISCLAIMER: This standard is governed by the "Texas Engineering Practice Act". No warranty of any kind is made by TxDOT for any purpose whatsoever. TxDOT assumes no responsibility for the conversion of this standard to other formats or for incorrect results or damages resulting from its use.

DATE:
FILE:



- ⑤ See Span details for "y" value.
- ⑨ Spacing based on girder type:
Tx28 ~ 3 spaces at 1'-0" Max
Tx34 ~ 3 spaces at 1'-0" Max
Tx40 ~ 4 spaces at 1'-0" Max
Tx46 ~ 4 spaces at 1'-0" Max
Tx54 ~ 5 spaces at 1'-0" Max
- ⑪ Field bend as needed to clear piles.
- ⑫ Adjust as required to avoid piling.

HL93 LOADING SHEET 2 OF 3

		Bridge Division Standard	
ABUTMENTS TYPE TX28 THRU TX54 PRESTR CONC I-GIRDERS 44' ROADWAY 30° SKEW AIG-44-30			
FILE: IG-AIG4430-23.dgn	DN: TAR	CK: KCM	DW: JTR
©TxDOT August 2017	CONT	SECT	JOB
10-2023 - Stirrup Spa	DIST	COUNTY	SHEET NO.

DISCLAIMER: The use of this standard is governed by the "Texas Engineering Practice Act". No warranty of any kind is made by TxDOT for any purpose whatsoever. TxDOT assumes no responsibility for the conversion of this standard to other formats or for incorrect results or damages resulting from its use.

TABLES OF ESTIMATED QUANTITIES WITH 2:1 HEADER SLOPE ⁽¹³⁾

TYPE Tx28 Girders					TYPE Tx34 Girders					TYPE Tx40 Girders					TYPE Tx46 Girders					TYPE Tx54 Girders									
Bar	No.	Size	Length	Weight	Bar	No.	Size	Length	Weight	Bar	No.	Size	Length	Weight	Bar	No.	Size	Length	Weight	Bar	No.	Size	Length	Weight					
A	10	#11	48'-6"	2,577	A	10	#11	48'-6"	2,577	A	10	#11	48'-6"	2,577	A	10	#11	48'-6"	2,577	A	10	#11	48'-6"	2,577					
D ⁽⁷⁾	2	#9	1'-8"	11	D ⁽⁷⁾	2	#9	1'-8"	11	D ⁽⁷⁾	2	#9	1'-8"	11	D ⁽⁷⁾	2	#9	1'-8"	11	D ⁽⁷⁾	2	#9	1'-8"	11					
H	8	#6	48'-6"	583	H	8	#6	48'-6"	583	H	10	#6	48'-6"	728	H	10	#6	48'-6"	728	H	12	#6	48'-6"	874					
L1	9	#6	5'-11"	80	L1	9	#6	5'-11"	80	L1	9	#6	5'-11"	80	L1	9	#6	5'-11"	80	L1	9	#6	5'-11"	80					
L2	9	#6	5'-9"	78	L2	9	#6	5'-9"	78	L2	9	#6	5'-9"	78	L2	9	#6	5'-9"	78	L2	9	#6	5'-9"	78					
S	76	#5	11'-6"	912	S	76	#5	11'-6"	912	S	76	#5	11'-6"	912	S	76	#5	11'-6"	912	S	76	#5	11'-6"	912					
U	4	#6	11'-7"	70	U	4	#6	11'-7"	70	U	4	#6	11'-7"	70	U	4	#6	11'-7"	70	U	4	#6	11'-7"	70					
V	51	#5	11'-4"	603	V	51	#5	12'-4"	656	V	51	#5	13'-4"	709	V	51	#5	14'-4"	762	V	51	#5	15'-8"	833					
wH1	14	#6	11'-5"	240	wH1	14	#6	12'-5"	261	wH1	14	#6	13'-5"	282	wH1	14	#6	15'-5"	324	wH1	14	#6	16'-5"	345					
wH2	20	#6	9'-8"	290	wH2	20	#6	10'-8"	320	wH2	24	#6	11'-8"	421	wH2	24	#6	13'-8"	493	wH2	28	#6	14'-8"	617					
wS	22	#4	7'-10"	115	wS	24	#4	7'-10"	126	wS	26	#4	7'-10"	136	wS	30	#4	7'-10"	157	wS	32	#4	7'-10"	167					
wV	22	#5	11'-4"	260	wV	24	#5	12'-4"	309	wV	26	#5	13'-4"	362	wV	30	#5	14'-4"	448	wV	32	#5	15'-8"	523					
Reinforcing Steel				Lb	5,819	Reinforcing Steel				Lb	5,983	Reinforcing Steel				Lb	6,366	Reinforcing Steel				Lb	6,640	Reinforcing Steel				Lb	7,087
Class "C" Concrete				CY	27.7	Class "C" Concrete				CY	29.6	Class "C" Concrete				CY	31.7	Class "C" Concrete				CY	34.6	Class "C" Concrete				CY	37.3

TABLES OF ESTIMATED QUANTITIES WITH 3:1 HEADER SLOPE ⁽¹³⁾

TYPE Tx28 Girders					TYPE Tx34 Girders					TYPE Tx40 Girders					TYPE Tx46 Girders					TYPE Tx54 Girders									
Bar	No.	Size	Length	Weight	Bar	No.	Size	Length	Weight	Bar	No.	Size	Length	Weight	Bar	No.	Size	Length	Weight	Bar	No.	Size	Length	Weight					
A	10	#11	48'-6"	2,577	A	10	#11	48'-6"	2,577	A	10	#11	48'-6"	2,577	A	10	#11	48'-6"	2,577	A	10	#11	48'-6"	2,577					
D ⁽⁷⁾	2	#9	1'-8"	11	D ⁽⁷⁾	2	#9	1'-8"	11	D ⁽⁷⁾	2	#9	1'-8"	11	D ⁽⁷⁾	2	#9	1'-8"	11	D ⁽⁷⁾	2	#9	1'-8"	11					
H	8	#6	48'-6"	583	H	8	#6	48'-6"	583	H	10	#6	48'-6"	728	H	10	#6	48'-6"	728	H	12	#6	48'-6"	874					
L1	9	#6	5'-11"	80	L1	9	#6	5'-11"	80	L1	9	#6	5'-11"	80	L1	9	#6	5'-11"	80	L1	9	#6	5'-11"	80					
L2	9	#6	5'-9"	78	L2	9	#6	5'-9"	78	L2	9	#6	5'-9"	78	L2	9	#6	5'-9"	78	L2	9	#6	5'-9"	78					
S	76	#5	11'-6"	912	S	76	#5	11'-6"	912	S	76	#5	11'-6"	912	S	76	#5	11'-6"	912	S	76	#5	11'-6"	912					
U	4	#6	11'-7"	70	U	4	#6	11'-7"	70	U	4	#6	11'-7"	70	U	4	#6	11'-7"	70	U	4	#6	11'-7"	70					
V	51	#5	11'-4"	603	V	51	#5	12'-4"	656	V	51	#5	13'-4"	709	V	51	#5	14'-4"	762	V	51	#5	15'-8"	833					
wH1	14	#6	15'-5"	324	wH1	14	#6	17'-5"	366	wH1	14	#6	19'-5"	408	wH1	14	#6	21'-5"	450	wH1	14	#6	23'-5"	492					
wH2	20	#6	13'-8"	411	wH2	20	#6	15'-8"	471	wH2	24	#6	17'-8"	637	wH2	24	#6	19'-8"	709	wH2	28	#6	21'-8"	911					
wS	30	#4	7'-10"	157	wS	34	#4	7'-10"	178	wS	38	#4	7'-10"	199	wS	42	#4	7'-10"	220	wS	46	#4	7'-10"	241					
wV	30	#5	11'-4"	355	wV	34	#5	12'-4"	437	wV	38	#5	13'-4"	528	wV	42	#5	14'-4"	628	wV	46	#5	15'-8"	752					
Reinforcing Steel				Lb	6,161	Reinforcing Steel				Lb	6,419	Reinforcing Steel				Lb	6,937	Reinforcing Steel				Lb	7,225	Reinforcing Steel				Lb	7,831
Class "C" Concrete				CY	30.2	Class "C" Concrete				CY	33.0	Class "C" Concrete				CY	36.0	Class "C" Concrete				CY	39.1	Class "C" Concrete				CY	42.9

⁽⁷⁾ Omit Dowels D at end of multi-span unit. Adjust reinforcing steel total accordingly.

⁽¹³⁾ Quantities shown are for one abutment only (with approach slab). With no approach slab, add 2.0 CY Class "C" concrete and 291 lbs reinforcing steel for 4 additional Bars H.



ABUTMENTS TYPE TX28 THRU TX54 PRESTR CONC I-GIRDERS 44' ROADWAY 30° SKEW

AIG-44-30

FILE: IG-AIG4430-23.dgn	DN: TAR	CK: KCM	DW: JTR	CK: TAR
©TxDOT August 2017	CONT	SECT	JOB	HIGHWAY
10-2023 - Stirrup Spa	DIST	COUNTY	SHEET NO.	