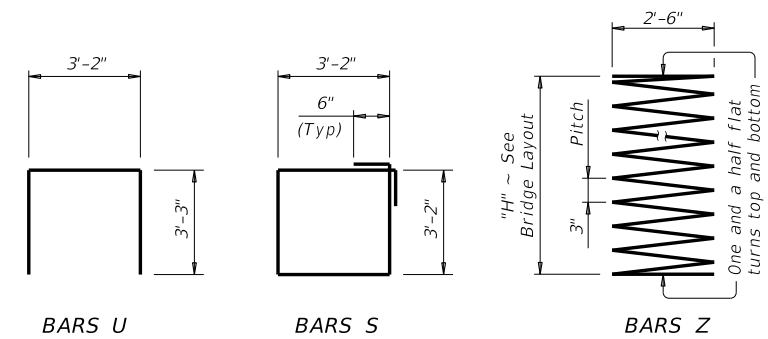
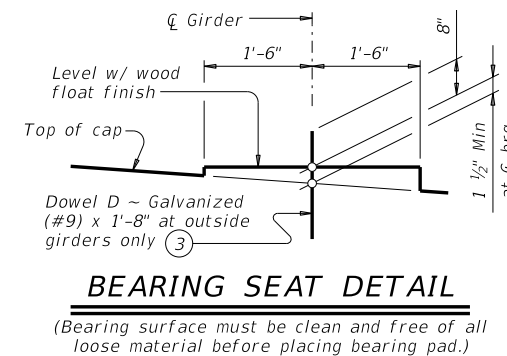
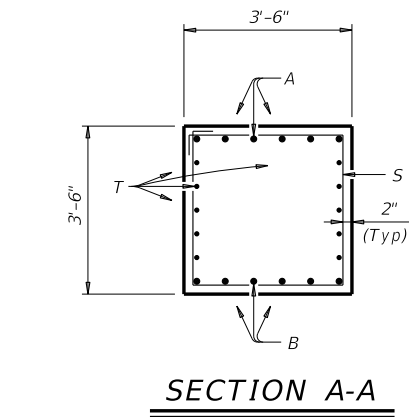
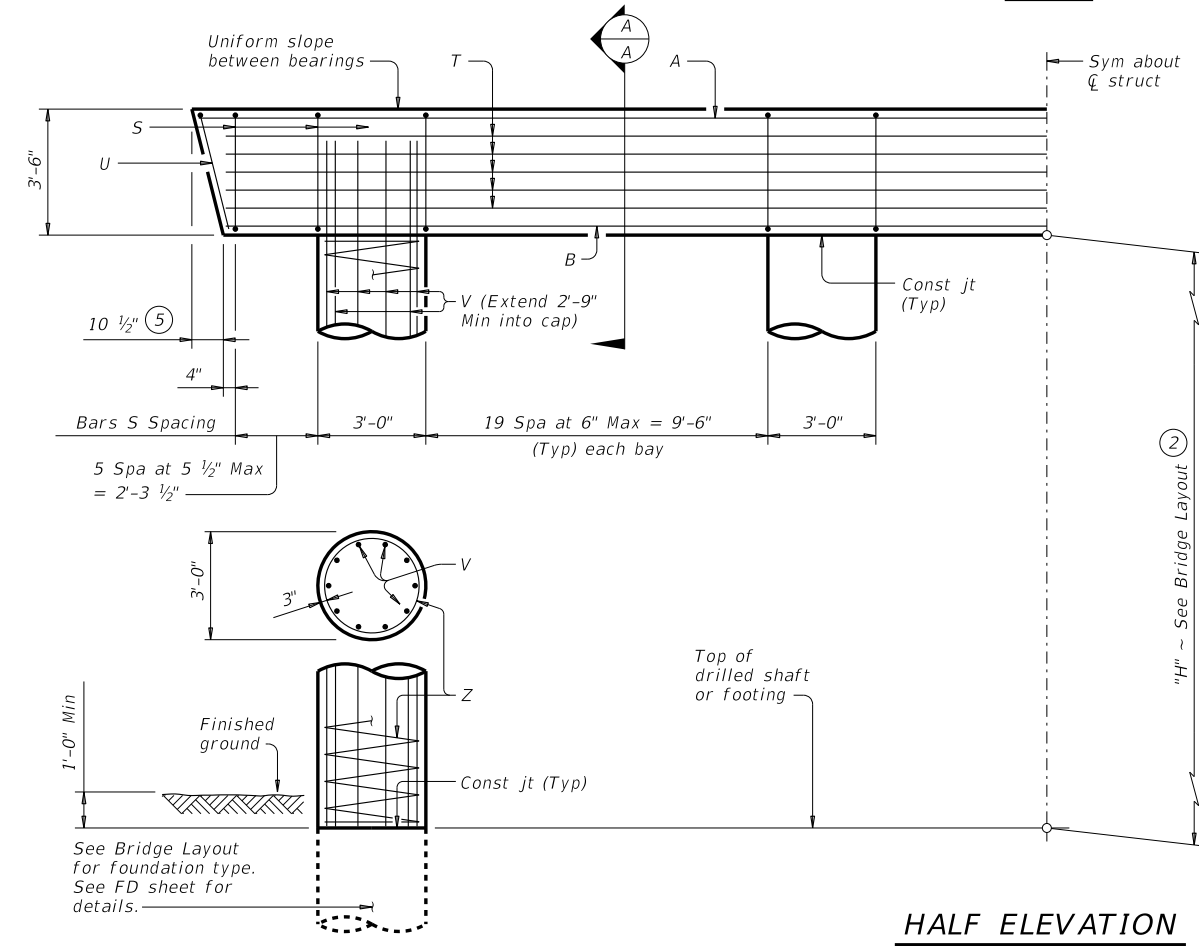
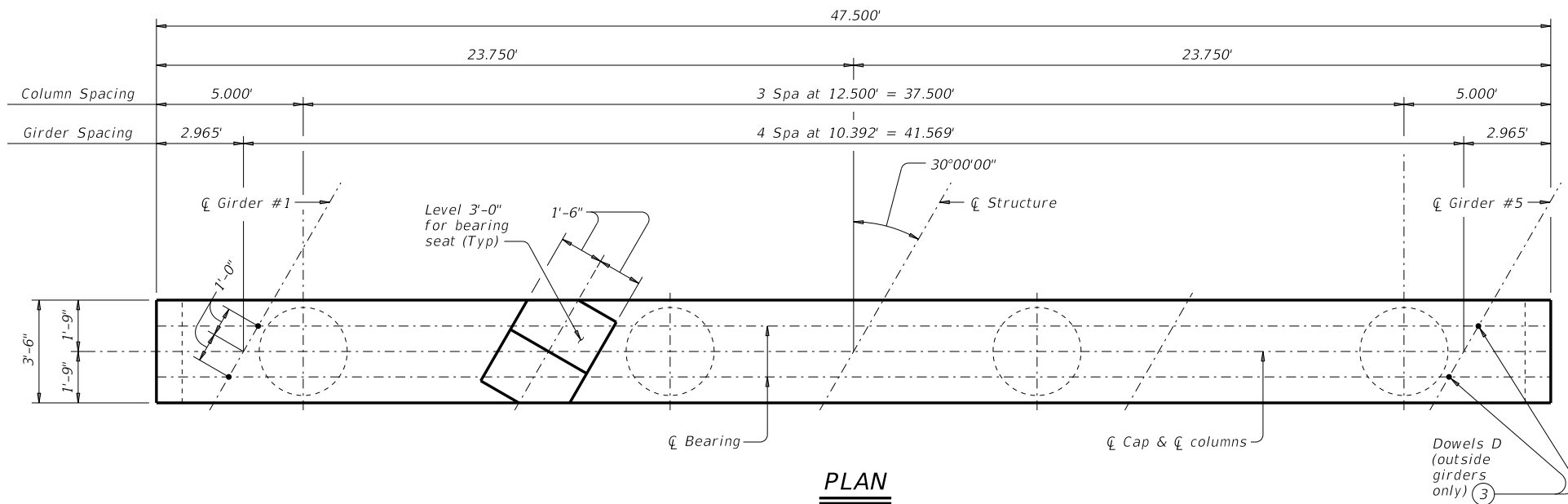


DISCLAIMER: This standard is governed by the "Texas Engineering Practice Act". No warranty of any kind is made by TxDOT for any purpose whatsoever. TxDOT assumes no responsibility for the conversion of this standard to other formats or for incorrect results or damages resulting from its use.

DATE: FILE:



- Quantities shown are based on an "H" value of 36'. For each linear foot variation in "H" value, make the following adjustments:  
 Bars V length, 1'-0"  
 Bars Z length, 31'-5"  
 Reinforcing steel, 220 Lb  
 Class "C" conc (col), 1.05 CY
- This standard may not be used for "H" heights exceeding 36'. In areas of very soft soil or where scour is anticipated, allowable "H" heights must be evaluated by the Engineer prior to the use of this standard.
- Omit Dowels D at end of multi-span units. Adjust reinforcing steel total accordingly.
- Foundation Loads based on "H" = 36'.
- Measured parallel to top of cap cross-slope.

TABLE OF ESTIMATED QUANTITIES (1)				
Bar	No.	Size	Length	Weight
A	6	#11	47'- 0"	1,498
B	6	#11	45'- 6"	1,450
D (3)	4	#9	1'-8"	23
S	72	#5	13'- 8"	1,026
T	10	#5	45'- 6"	475
U	2	#5	9'- 8"	20
V	40	#9	38'- 9"	5,270
Z	4	#4	1,154'- 7"	3,085
Reinforcing Steel			Lb	12,847
Class "C" Concrete (Cap)			CY	21.4
Class "C" Concrete (Col)			CY	37.7

FOUNDATION LOADS (4)				
Span Average	Drilled Shaft Loads	Pile Load (Tons/Pile)		
		3 Pile Ftg	4 Pile Ftg	5 Pile Ftg
Ft	Tons/Shaft			
40	108	39	30	25
45	116	42	32	26
50	124	45	34	28
55	131	47	36	29
60	139	50	38	31
65	147	52	40	33
70	154	55	42	34
75	162	57	44	36
80	170	60	46	37
85	177	62	47	39
90	185	65	49	40
95	192	67	51	42
100	200	70	53	43
105	208	73	55	45
110	215	75	57	46
115	223	78	59	48
120	230	80	61	49

**GENERAL NOTES:**  
 Designed according to AASHTO LRFD Bridge Design Specifications.  
 See Bridge Layout for foundation type, size and length.  
 See Common Foundation Details (FD) standard sheet for all foundation details and notes.  
 See Shear Key (IGSK) standard sheet for all shear key details and notes, if applicable.  
 Bent selected must be based on the average span length rounded up to the next 5 ft. increment.  
 Details are drawn showing right forward skew. See Bridge Layout for actual skew direction.  
 These bent details may be used with standard SIG-40-30 only.  
 Cover dimensions are clear dimensions, unless noted otherwise.  
 Reinforcing bar dimensions shown are out-to-out of bar.

**MATERIAL NOTES:**  
 Provide Class C concrete (f'c = 3,600 psi).  
 Provide Class C (HPC) concrete if shown elsewhere in the plan.  
 Provide Grade 60 reinforcing steel.  
 Galvanize dowel bars D. HL93 LOADING

**Texas Department of Transportation** Bridge Division Standard

**INTERIOR BENTS**  
 TYPE TX28 THRU TX54  
 PRESTR CONC I-GIRDERS  
 40' ROADWAY 30° SKEW

**BIG-40-30**

FILE: IG-BIG4030-17.dgn	DN: TAR	CK: SDB	DW: JTR	CK: TAR
©TxDOT August 2017	CONT	SECT	JOB	HIGHWAY
REVISIONS	DIST	COUNTY	SHEET NO.	