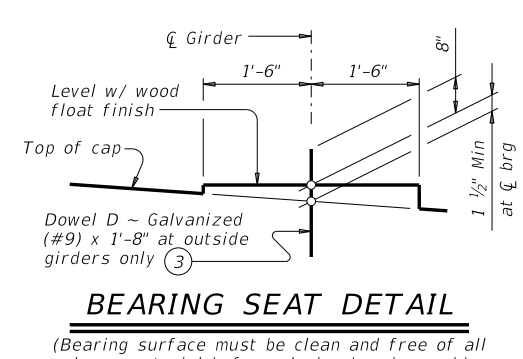
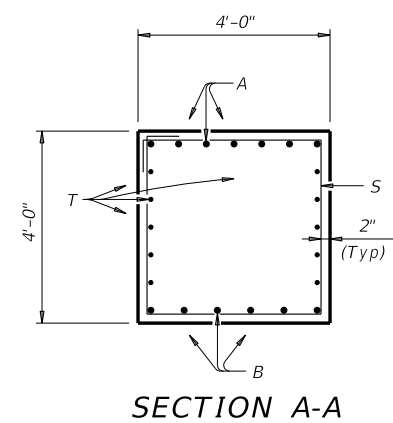
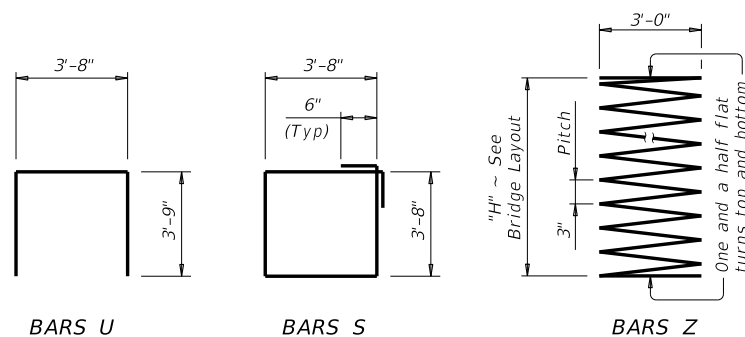
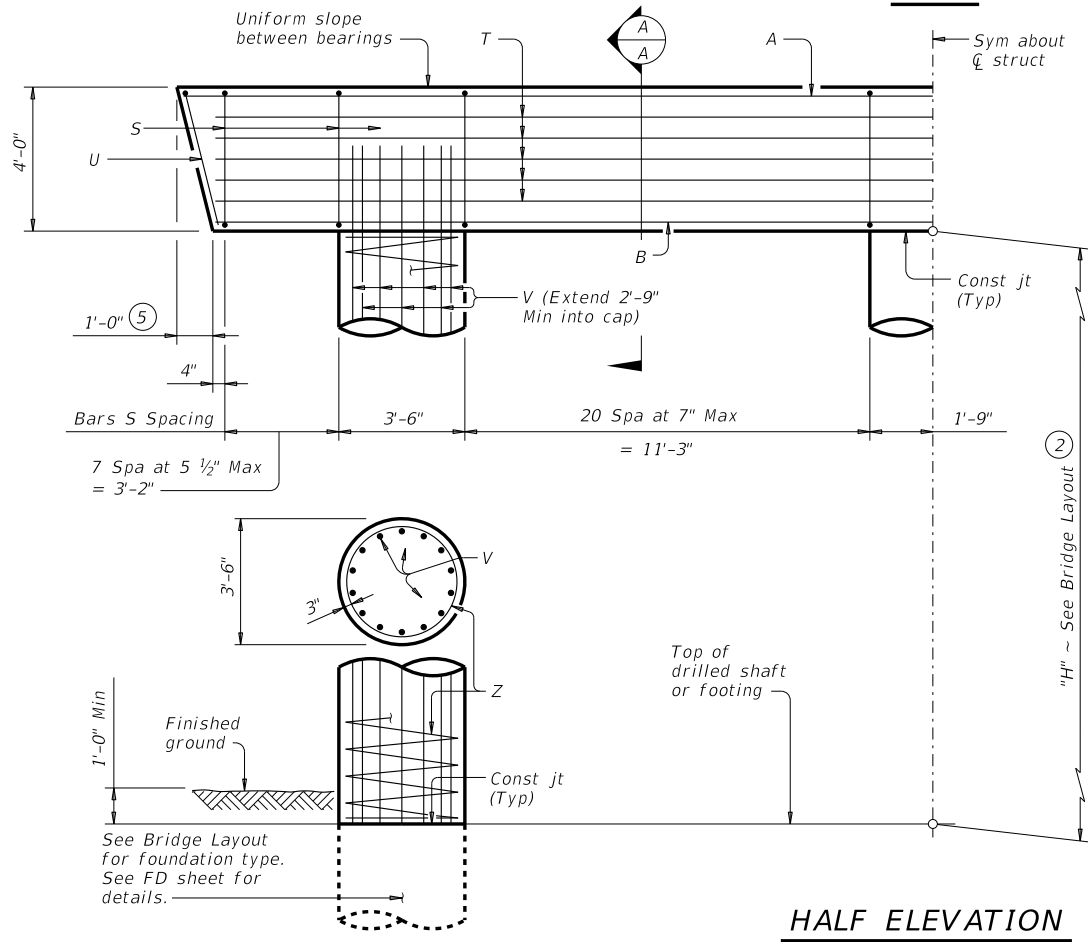
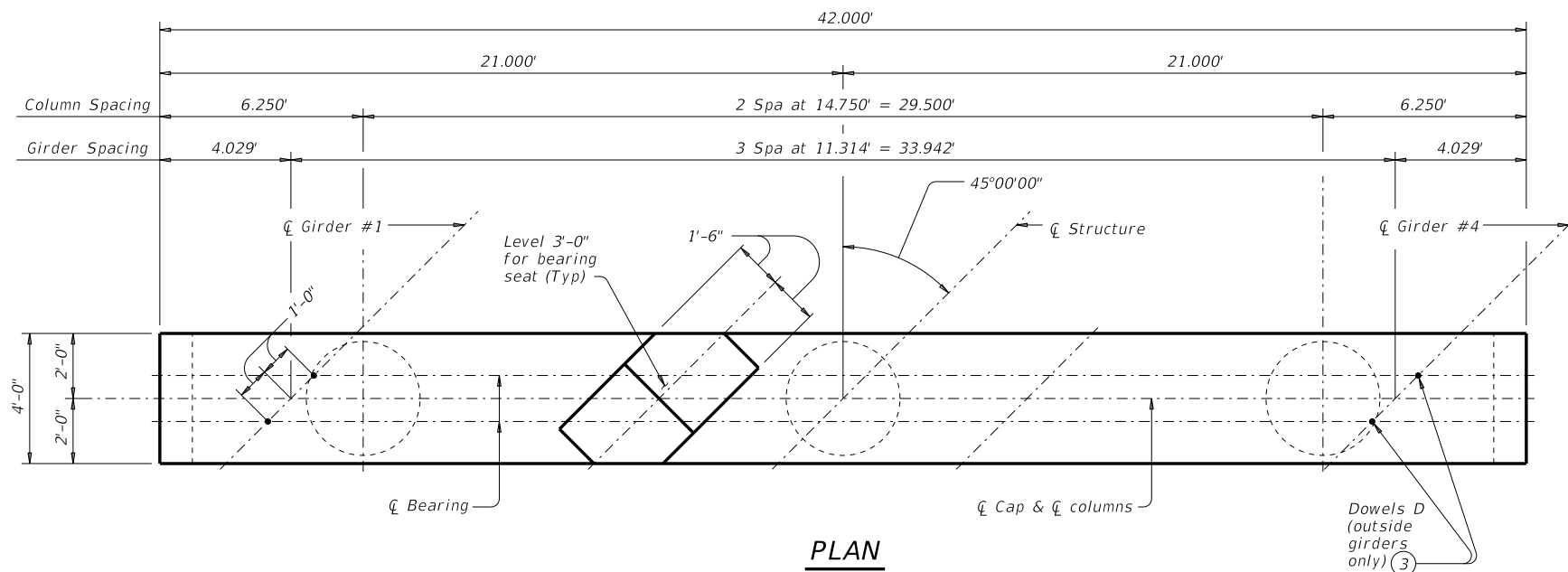


DISCLAIMER: This standard is governed by the "Texas Engineering Practice Act". No warranty of any kind is made by TxDOT for any purpose whatsoever. TxDOT assumes no responsibility for the conversion of this standard to other formats or for incorrect results or damages resulting from its use.

DATE:
FILE:



- Quantities shown are based on an "H" value of 36'. For each linear foot variation in "H" value, make the following adjustments:
Bars V length, 1'-0"
Bars Z length, 37'-9"
Reinforcing Steel, 219 Lb
Class "C" Conc (Col), 1.07 CY
- This standard may not be used for "H" heights exceeding 36'. In areas of very soft soil or where scour is anticipated, allowable "H" heights must be evaluated by the Engineer prior to the use of this standard.
- Omit Dowels D at end of multi-span units. Adjust reinforcing steel total accordingly.
- Foundation Loads based on "H" = 36'.
- Measured parallel to top of cap cross-slope.

Bar	No.	Size	Length	Weight
A	7	#11	41'- 6"	1,543
B	6	#11	39'- 9"	1,267
D ③	4	#9	1'- 8"	23
S	58	#5	15'- 8"	948
T	10	#5	39'- 9"	415
U	2	#5	11'- 2"	23
V	42	#9	38'- 9"	5,534
Z	3	#4	1,387'- 3"	2,780
Reinforcing Steel			Lb	12,533
Class "C" Concrete (Cap)			CY	24.6
Class "C" Concrete (Col)			CY	38.5

Span Average	Drilled Shaft Loads	Pile Load (Tons/Pile)	
		4 Pile Ftg	5 Pile Ftg
Ft	Tons/Shaft		
60	160	43	35
65	168	45	37
70	176	47	38
75	184	49	40
80	193	51	42
85	201	53	43
90	209	55	45
95	217	57	47
100	225	59	48
105	233	61	50
110	241	63	51
115	249	65	53
120	257	67	55
125	266	70	56
130	274	72	58
135	282	74	60

GENERAL NOTES:
 Designed according to AASHTO LRFD Bridge Design Specifications. See Bridge Layout for foundation type, size and length. See Common Foundation Details (FD) standard sheet for all foundation details and notes. See Shear Key Details (IGSK) standard sheet for all shear key details and notes, if applicable. Bent selected must be based on the average span length rounded up to the next 5 ft increment. Details are drawn showing right forward skew. See Bridge Layout for actual skew direction. These bent details may be used with standard SIG-62-28-45 only.

Cover dimensions are clear dimensions, unless noted otherwise. Reinforcing bar dimensions shown are out-to-out of bar.

MATERIAL NOTES:
 Provide Class C concrete (f'c = 3,600 psi). Provide Class C (HPC) concrete if shown elsewhere in the plans. Provide Grade 60 reinforcing steel. Galvanize dowel bars D.

HL93 LOADING

Texas Department of Transportation
 Bridge Division Standard

INTERIOR BENTS
 TYPE TX62
 PRESTR CONC I-GIRDERS
 28' ROADWAY 45° SKEW

BIG-62-28-45

FILE: IG-BIG622845-17.dgn	DN: TAR	CK: SDB	DW: JTR	CK: TAR
©TxDOT August 2017	CONT	SECT	JOB	HIGHWAY
REVISIONS	DIST	COUNTY	SHEET NO.	