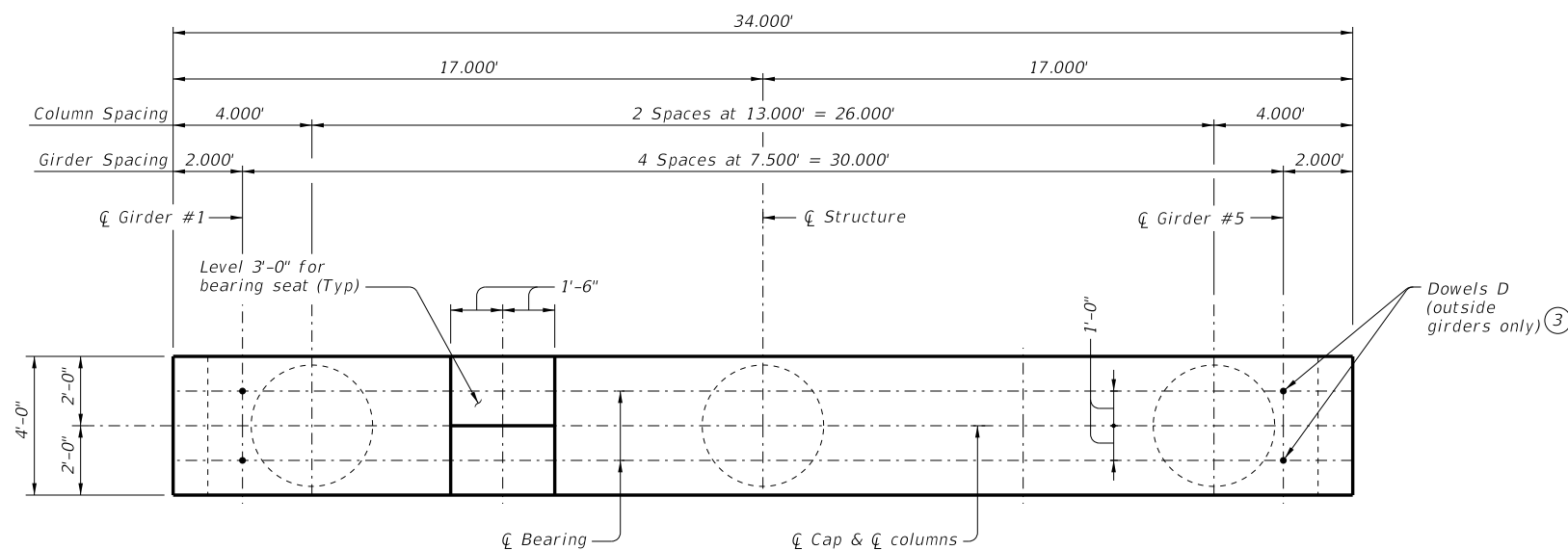
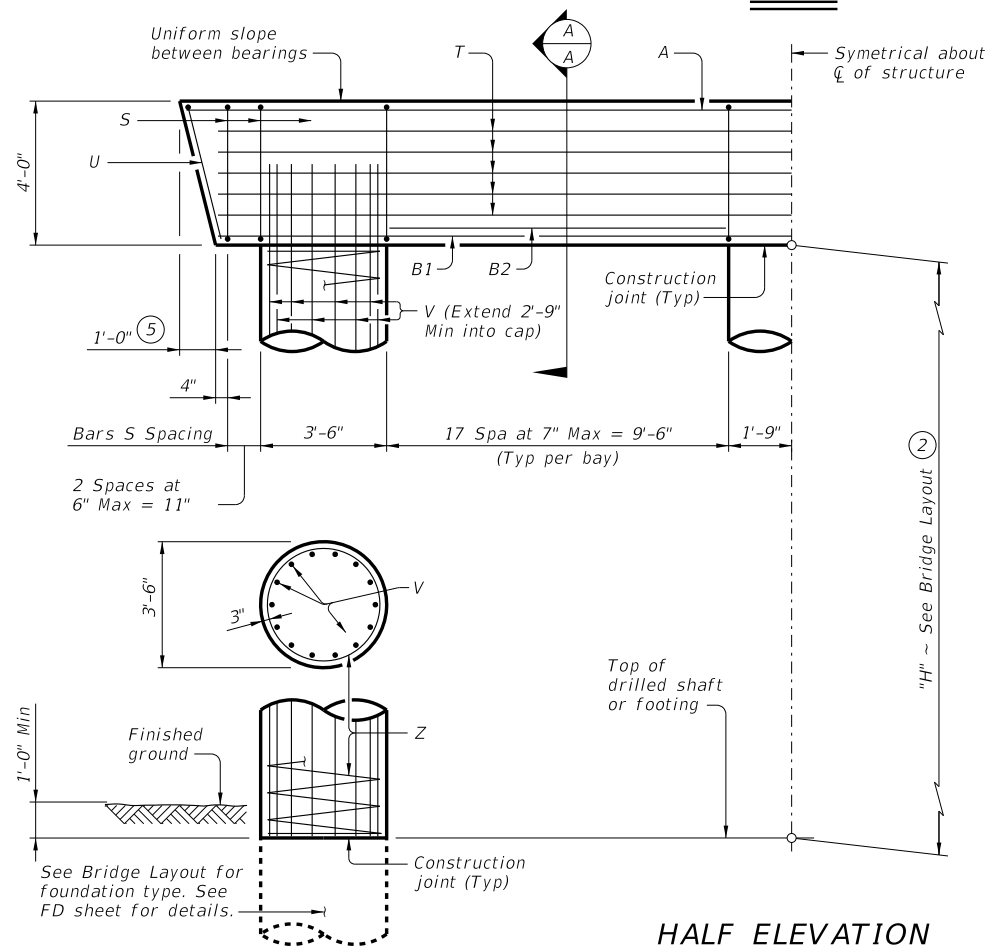


DISCLAIMER: This standard is governed by the "Texas Engineering Practice Act". No warranty of any kind is made by TxDOT for any purpose whatsoever. TxDOT assumes no responsibility for the conversion of this standard to other formats or for incorrect results or damages resulting from its use.

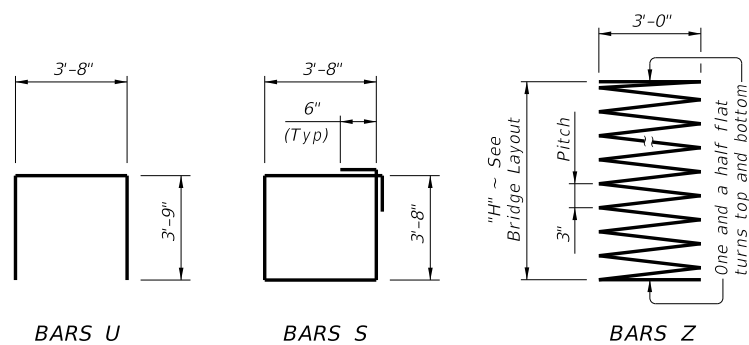
DATE: FILE:



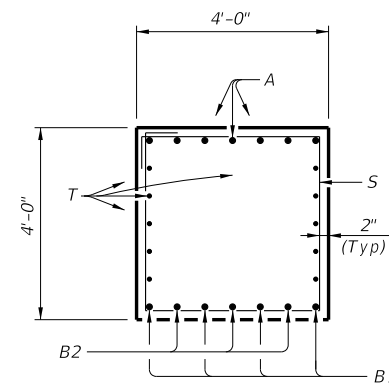
PLAN



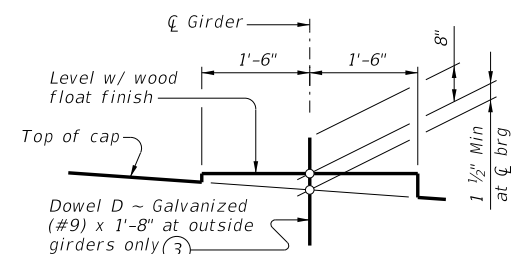
HALF ELEVATION



- ① Quantities shown are based on an "H" value of 36'. For each linear foot variation in "H" value, make the following adjustments:
 Bars V length, 1'-0"
 Bars Z length, 37'-9"
 Reinforcing steel, 291 Lb
 Class "C" conc (col), 1.43 CY
- ② This standard may not be used for "H" heights exceeding 36'. In areas of very soft soil or where scour is anticipated, allowable "H" heights must be evaluated by the Engineer prior to the use of this standard.
- ③ Omit Dowels D at end of multi-span units. Adjust reinforcing steel total accordingly.
- ④ Foundation Loads based on "H" = 36'.
- ⑤ Measured parallel to top of cap cross-slope.



SECTION A-A



BEARING SEAT DETAIL

(Bearing surface must be clean and free of all loose material before placing bearing pad.)

TABLE OF ESTIMATED QUANTITIES ①

Bar	No.	Size	Length	Weight	
A	7	#11	33'-6"	1,246	
B1	4	#11	27'-9"	590	
B2	6	#11	11'-6"	367	
D ③	4	#9	1'-8"	23	
S	42	#5	15'-8"	686	
T	10	#5	27'-9"	289	
U	2	#5	11'-2"	23	
V	42	#9	38'-9"	5,534	
Z	3	#4	1387'-3"	2,780	
Reinforcing Steel				Lb	11,538
Class "C" Concrete (Cap)				CY	19.8
Class "C" Concrete (Col)				CY	38.5

FOUNDATION LOADS ④

Span Average	Drilled Shaft Loads	Pile Load (Tons/Pile)	
		4 Pile Ftg	5 Pile Ftg
Ft	Tons/Shaft		
60	176	47	38
65	185	49	40
70	195	52	42
75	205	54	44
80	214	57	46
85	224	59	48
90	234	62	50
95	243	64	52
100	253	66	54
105	263	69	56
110	272	71	58
115	282	74	60
120	291	76	61
125	301	78	63
130	310	81	65
135	320	83	67

MATERIAL NOTES:

Provide Class C concrete (f'c = 3,600 psi).
 Provide Class C (HPC) concrete if shown elsewhere in the plans.
 Provide Grade 60 reinforcing steel.
 Galvanize dowel bars D.

GENERAL NOTES:

Designed according to AASHTO LRFD Bridge Design Specifications.
 See Bridge Layout for foundation type, size and length.
 See Common Foundation Details (FD) standard sheet for all foundation details and notes.
 See Shear Key (IGSK) standard sheet for all shear key details and notes, if applicable.
 Bent selected must be based on the average span length rounded up to the next 5 ft increment.
 These bent details may be used with standard SIG-62-34 only.

Cover dimensions are clear dimensions, unless noted otherwise.
 Reinforcing bar dimensions shown are out-to-out of bar.

HL93 LOADING

		Bridge Division Standard	
INTERIOR BENTS TYPE TX62 PRESTR CONC I-GIRDERS 34' ROADWAY BIG-62-34			
FILE: IG-BIG623400-23.dgn	DN: TAR	CK: VC	DW: SFS
©TxDOT	January 2023	CONT SECT	JOB HIGHWAY
REVISIONS		DIST	COUNTY SHEET NO.