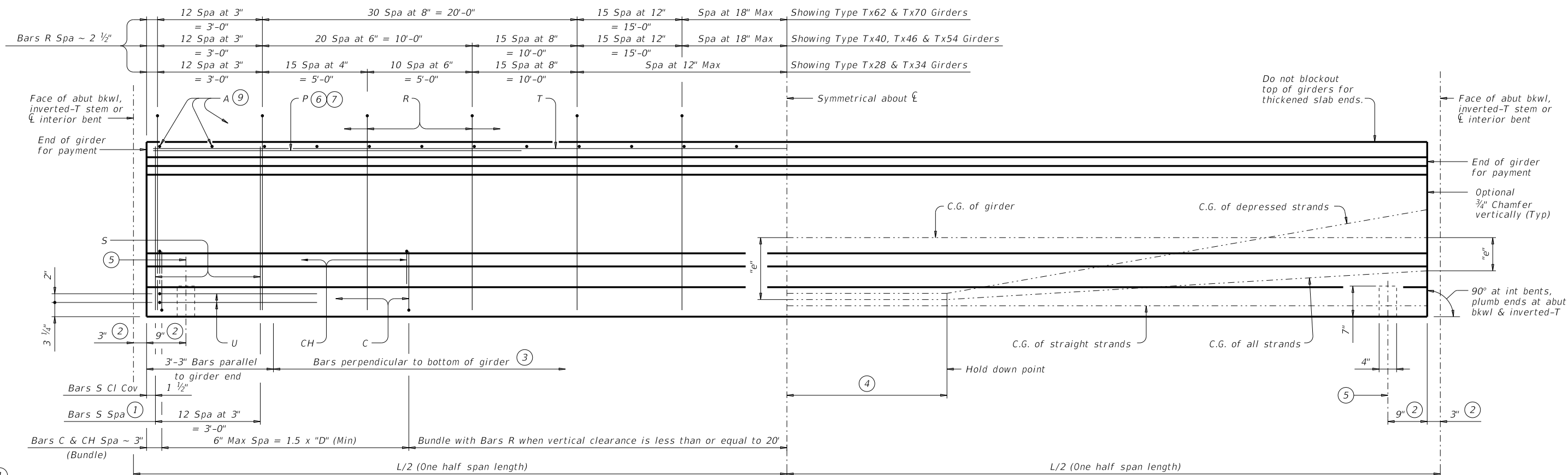


DISCLAIMER: This standard is governed by the "Texas Engineering Practice Act". No warranty of any kind is made by TxDOT for any purpose whatsoever. TxDOT assumes no responsibility for the conversion of this standard to other formats or for incorrect results or damages resulting from its use.

DATE: 7/24/2023 3:28:41 PM
FILE: DOCUMENT NAME

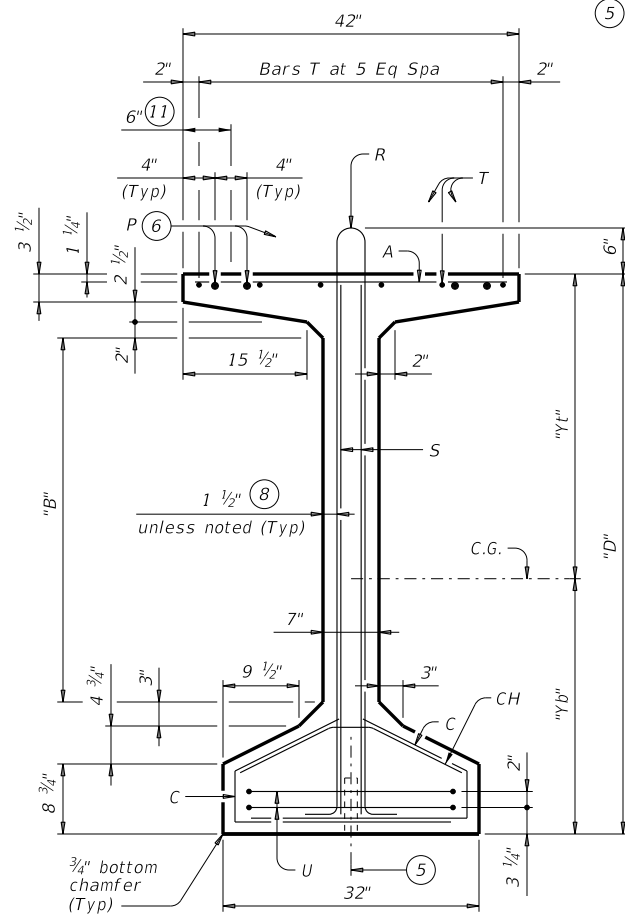


- ① Bundle with Bars R.
- ② Measured along \bar{C} Girder at interior bents; perpendicular to abutment bkwl or inverted-T stem.
- ③ The average of the top and bottom spacing of Bars R cannot exceed the required spacing.
- ④ L/20, but not less than 5'-0" (-0,+2).

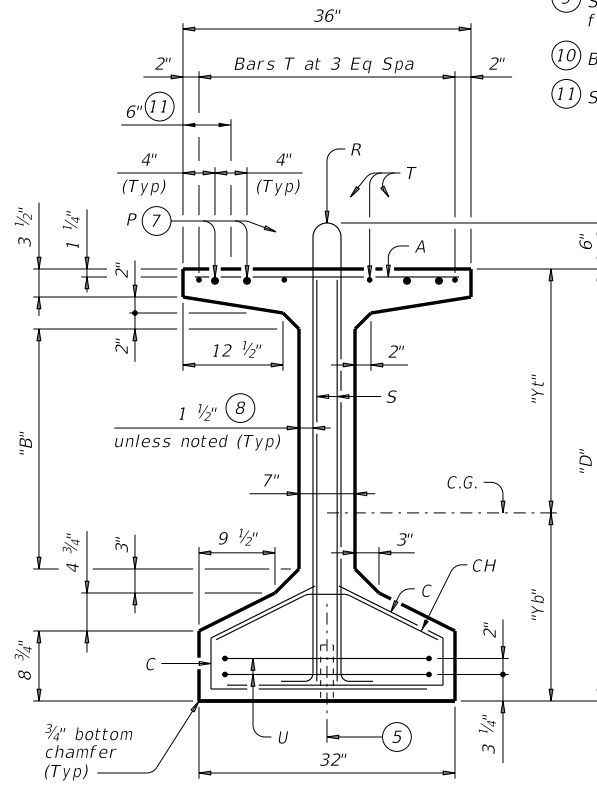
GIRDER ELEVATION

- ⑥ Bars P (#6 x 15'-0") required in Tx62 and Tx70 girders. At the fabricator's option bars larger than #6 may be used. When L is less than 50 ft, Bars P are to be the same length as Bars T.
- ⑦ Bars P (#6 x 15'-0") are only required in Tx28, Tx34, Tx40, Tx46, and Tx54 girders when "e" at girder ends exceeds 0.25 x "D". At the fabricator's option bars larger than #6 may be used. When L is less than 50 ft, Bars P are to be the same length as Bars T.
- ⑧ 1 3/8" Clear Cover to Bars S.
- ⑨ Space Bars A at 6" Max for girders requiring overhang bracket hangers. Space at 12" Max for all other girders. Tie to Bars R as necessary. See standard IGMS for "Deck Forming Notes".
- ⑩ Based on 155 pcf total weight of concrete and reinforcing steel.
- ⑪ Smooth trowel finish on the slab overhang side of exterior girder.

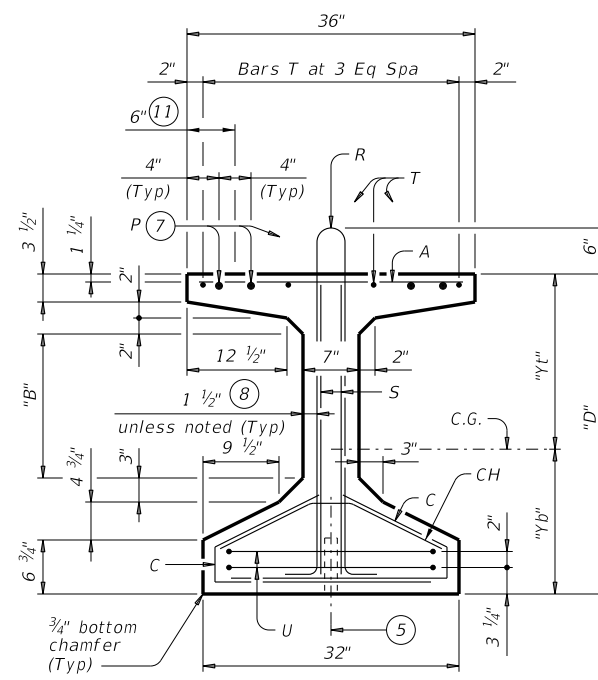
⑤ 4" x 1 1/2" Vertical Slotted Hole at doweled girder end [labeled (D) on Bridge Layout]. Required for outside girder only or as shown on substructure details. Anchorage holes may be tapered (4 3/4" x 1 3/8") at base. If holes are formed with sheet metal, forms may be left in place.



TYPE Tx62 & Tx70



TYPE Tx46 & Tx54



TYPE Tx28, Tx34 & Tx40

GIRDER DIMENSIONS AND SECTION PROPERTIES

Girder Type	"D" (in.)	"B" (in.)	"Yt" (in.)	"Yb" (in.)	Area (in. ²)	"Ix" (in. ⁴)	"Iy" (in. ⁴)	Weight (plf)
Tx28	28	6	15.02	12.98	585	52,772	40,559	630
Tx34	34	12	18.49	15.51	627	88,355	40,731	675
Tx40	40	18	21.90	18.10	669	134,990	40,902	720
Tx46	46	22	25.90	20.10	761	198,089	46,478	819
Tx54	54	30	30.49	23.51	817	299,740	46,707	880
Tx62	62	37 1/2	33.72	28.28	910	463,072	57,351	980
Tx70	70	45 1/2	38.09	31.91	966	628,747	57,579	1,040

GENERAL NOTES:

Designed according to AASHTO LRFD Bridge Design Specifications. Provide Class H concrete. Provide Grade 60 reinforcing steel. An equal area of deformed Welded Wire Reinforcement (WWR) (ASTM A1064) may be substituted for Bars A, C, R or T unless otherwise noted. It is permissible for bars or strands to come in contact with materials used in forming anchor holes. When vertical clearance of the span is less than or equal to 20', provide additional Bars C and CH in every girder of that span.

Cover dimensions are clear dimensions, unless noted otherwise. Reinforcing bar dimensions shown are out-to-out of bar.

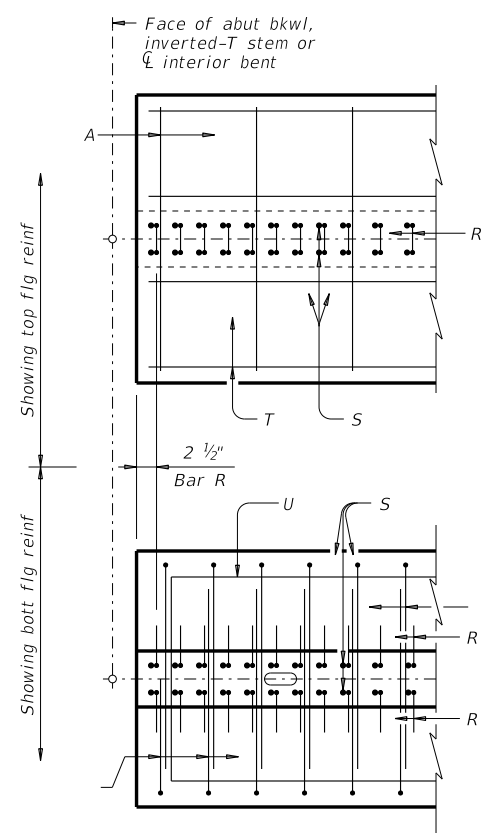
HL93 LOADING SHEET 1 OF 2



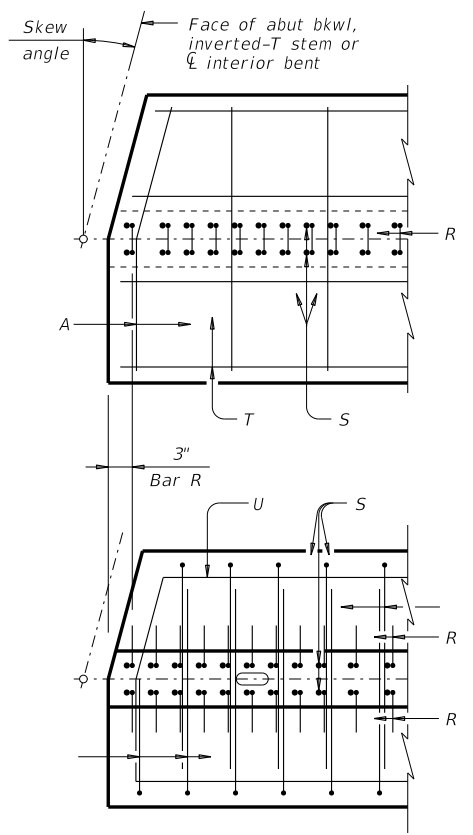
PRESTRESSED CONCRETE I-GIRDER DETAILS

IGD

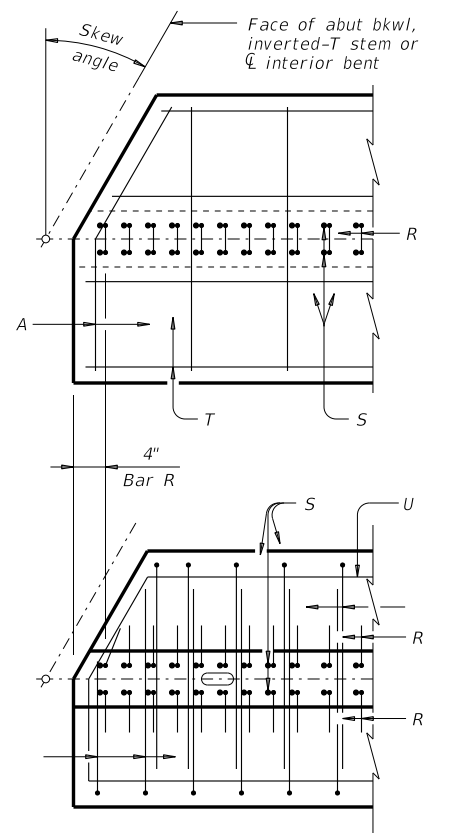
FILE: IG-IGD-23.dgn	DN: TxDOT	CK: JMH	DW: JTR	CK: TAR
©TxDOT August 2017	CONT	SECT	JOB	HIGHWAY
REVISIONS				
10-19: Added Bars C and CH full length for VC < 20'				
3-23: Clarified C and CH requirement				
DIST	COUNTY	SHEET NO.		



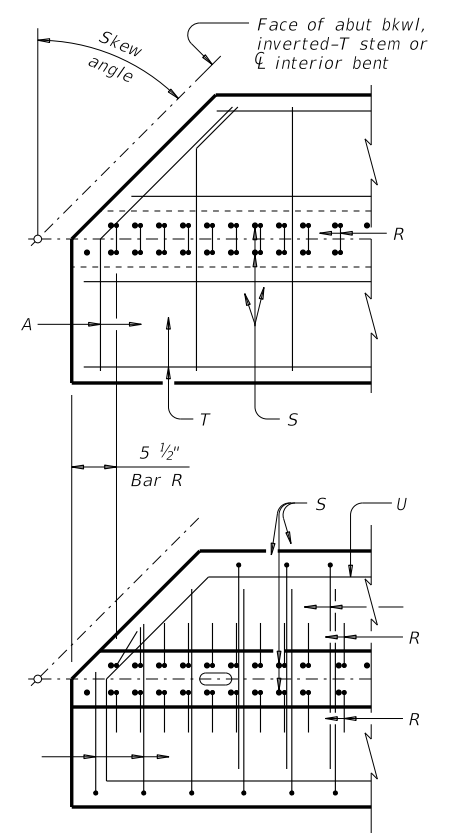
0° SKEW



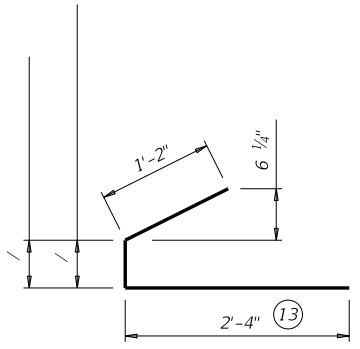
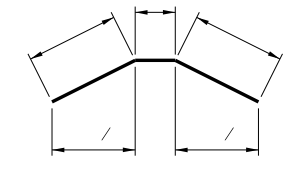
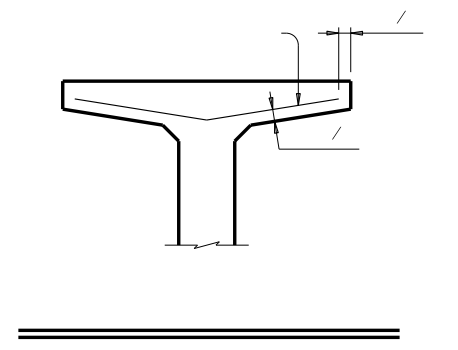
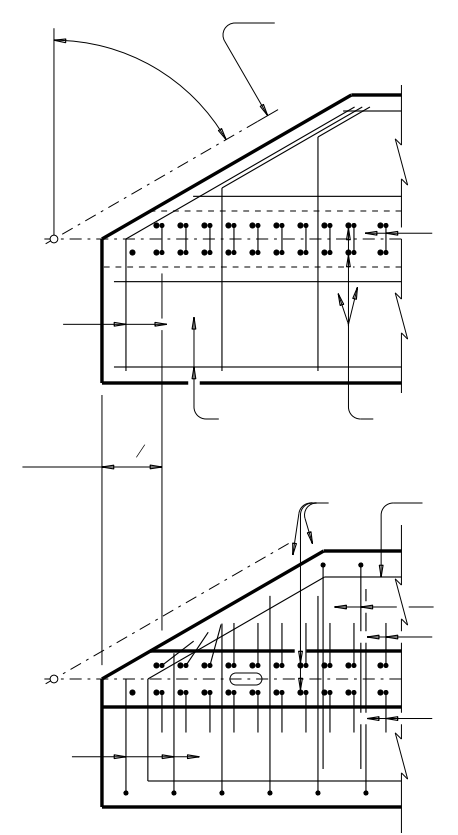
15° SKEW



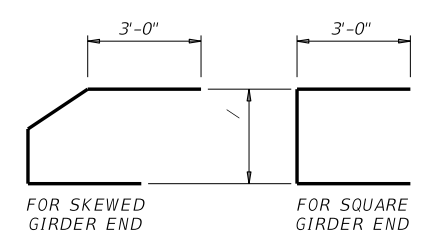
30° SKEW



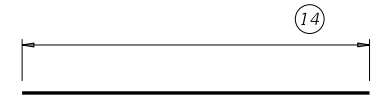
45° SKEW



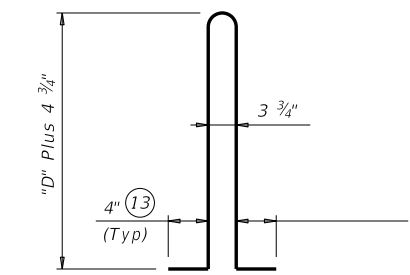
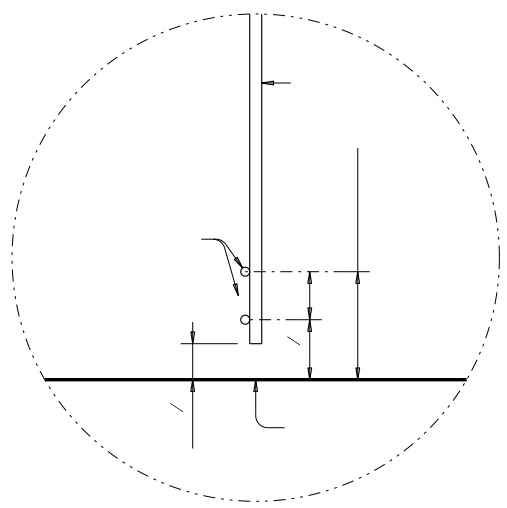
BARS C (#4)



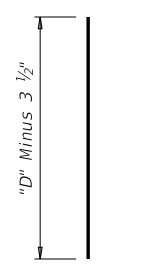
BAR



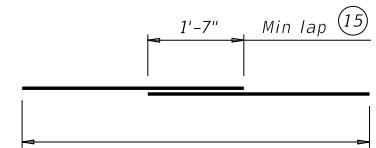
BARS A (#3)



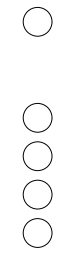
BARS R (#4)



BARS S (#6)



BARS T (#4)



FILE:	DN: TxDOT	CK: JMH	DW: JTR	CK: TAR
©TxDOT	CONT	SECT	JOB	HIGHWAY
REVISIONS				
DIST	COUNTY			SHEET NO.

DATE:
FILE: