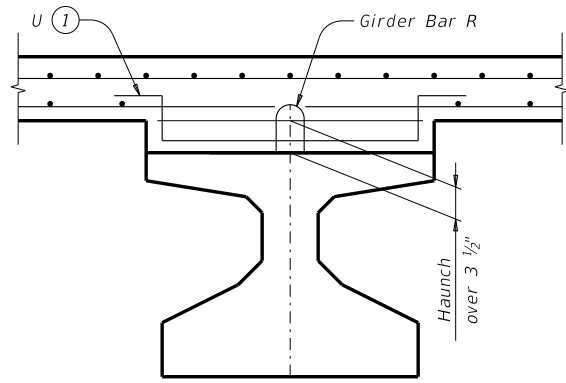
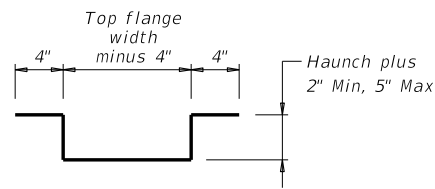


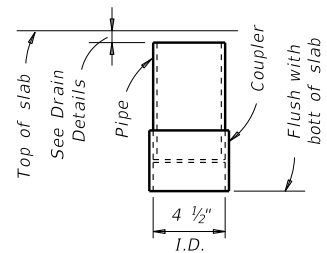
DISCLAIMER: The use of this standard is governed by the "Texas Engineering Practice Act". No warranty of any kind is made by TxDOT for any purpose whatsoever. TxDOT assumes no responsibility for the conversion of this standard to other formats or for incorrect results or damages resulting from its use.



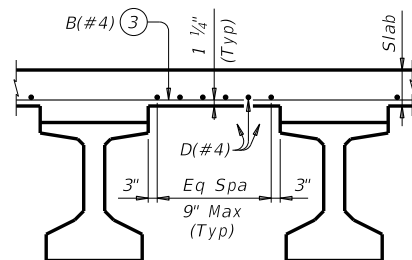
HAUNCH REINFORCING DETAIL



BARS U (#4)

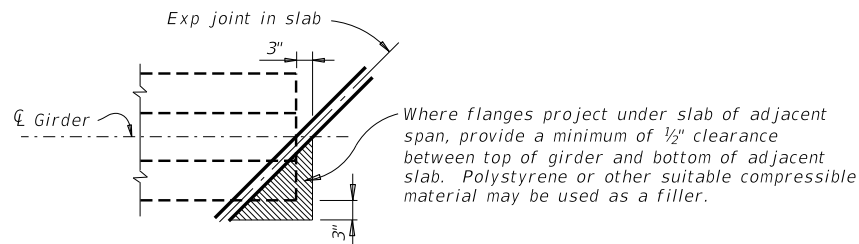


C-I-P DRAIN DETAIL (2)

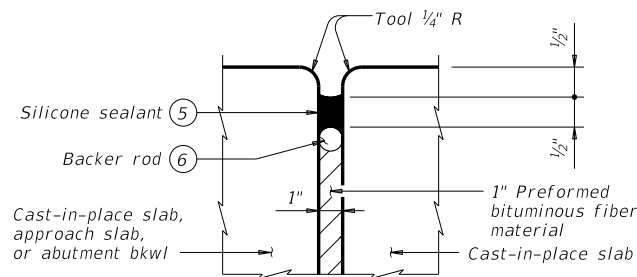


TYPICAL PART TRANSVERSE SLAB SECTION WITHOUT PCP (4)

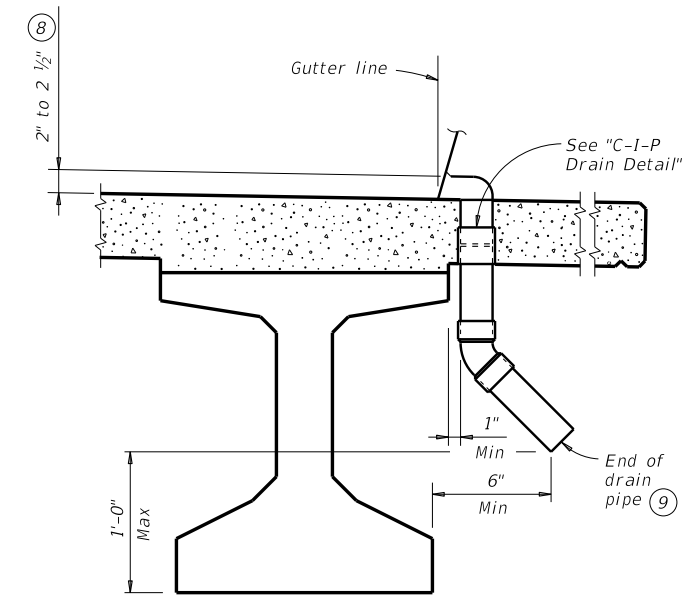
Top reinforcing steel not shown for clarity.



TREATMENT AT GIRDER END FOR SKEWED SPANS



TYPE A JOINT DETAIL (7)



DRAIN DETAIL (10)

GENERAL NOTES:
 Designed according to AASHTO LRFD Bridge Design Specifications.
 Payment for Type A joint will be as per Item 454, "Bridge Expansion Joints."
 All other items (reinforcing steel, drains, etc.) shown on this sheet are subsidiary to other bid items.

Cover dimensions are clear dimensions, unless noted otherwise.
 Reinforcing bar dimensions shown are out-to-out of bar.

DECK FORMWORK NOTES:
 Overhang bracket hangers are limited to a safe working load of 3,600 lbs, applied to and along the axis of a coil rod at 45 degrees from vertical, regardless of higher loads permitted by hanger manufacturers. Do not place a hanger less than 12" from girder end. Space hangers accordingly.

- 1 Space Bars U with girder Bars R in all areas where measured haunch exceeds 3 1/2".
- 2 Roughen outside of PVC with coarse rasp or equal to ensure bond with cast-in-place concrete.
- 3 Bars B(#4) spaced at 9" Max with 2" end cover. Overhang option, Contractor's may end alternating bars B(#4) at centerline outside girder.
- 4 Provide Grade 60 reinforcing steel. Provide bar laps, where required, as follows:
 Uncoated ~ #4 = 1'-7"
 Epoxy coated ~ #4 = 2'-5"
- 5 Class 7 silicone sealant that conforms to DMS-6310. Install when ambient temperature is between 55°F and 85°F and rising. Engineer to determine allowable hours for sealant application.
- 6 1 1/4" backer rod must be compatible with joint sealant. Use of multiple pieces to create a backer rod cross section is not permitted. Top of backer rod must be convex as shown.
- 7 The maximum distance between Type A expansion joints is 100'. See Bridge Layout for location of joints.
- 8 Drain entrance formed in rail or sidewalk.
- 9 Water may not be discharged onto girders.
- 10 All drain pipe and fittings to be 4" diameter (Sch 40) PVC. See Item 481 "Pipe for Drains" for pipe, connections and solvent welding. Bend reinforcing steel to clear PVC 1". Drain length and location is as directed by the Engineer. Drains are not permitted over roadways or railroads, or within 10'-0" of bent caps. Degrease outside of exposed PVC, apply acrylic water base primer, then coat with same surface finishing material as used for outside girder face. Variations of the above designs, as required for the type of rail used and its location on the structure, may be installed with the approval and direction of the Engineer.

SHEET 1 OF 2



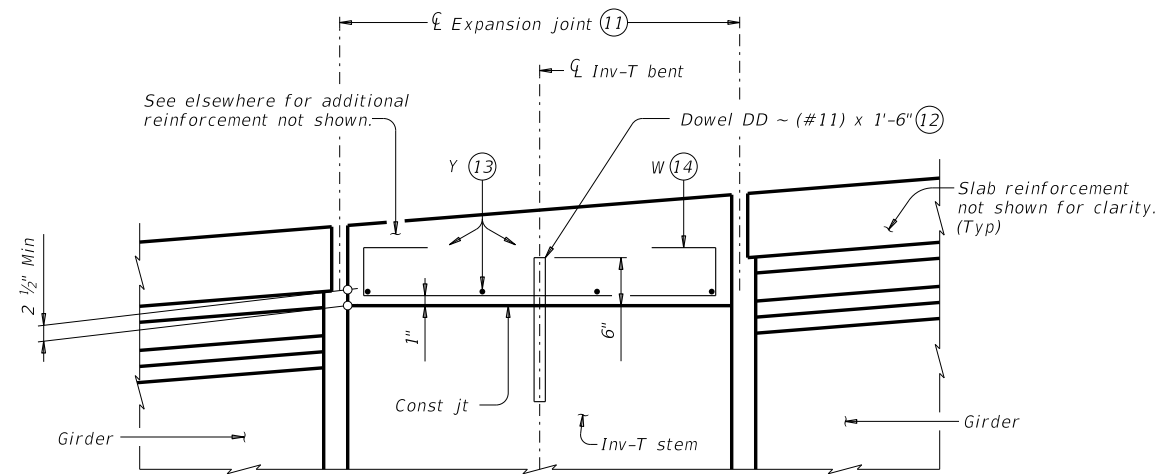
MISCELLANEOUS SLAB DETAILS
PRESTR CONCRETE I-GIRDERS

IGMS

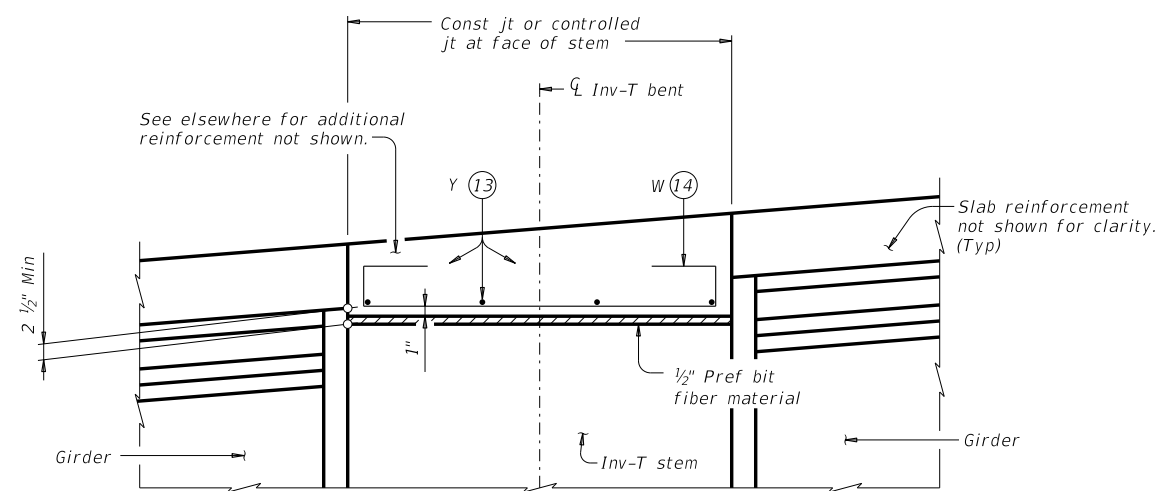
FILE: IG-IGMS-19.dgn	DN: TxDOT	CK: TxDOT	DW: JTR	CK: TxDOT
©TxDOT August 2017	CONT	SECT	JOB	HIGHWAY
REVISIONS				
10-19: Modified Note 7. Type A now a pay item.	DIST	COUNTY	SHEET NO.	

DATE:
FILE:

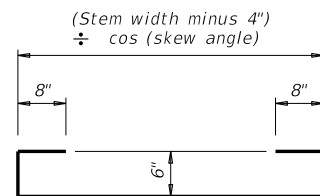
DISCLAIMER: This standard is governed by the "Texas Engineering Practice Act". No warranty of any kind is made by TxDOT for any purpose whatsoever. TxDOT assumes no responsibility for the conversion of this standard to other formats or for incorrect results or damages resulting from its use.



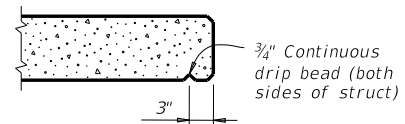
SHOWING EXPANSION JOINTS



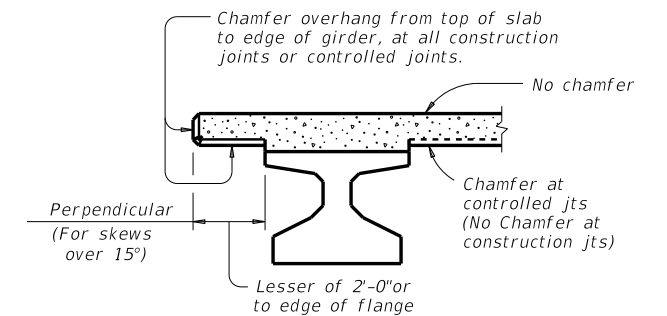
**SHOWING CONST JTS OR CONTROLLED JTS
REINFORCEMENT OVER INV-T BENTS**



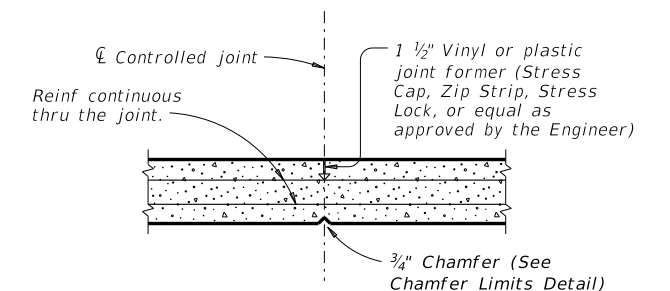
BARS W (#4)



DRIP BEAD DETAIL



CHAMFER LIMITS DETAIL (15)



CONTROLLED JOINT DETAIL

(Saw-cutting is not allowed)

- (11) See Layout for joint type.
- (12) Dowels DD (#11) spaced at 5 Ft Max. See Inv-T bents for quantity and location.
- (13) Space Bars Y (#4) at 12" Max. Use 2" end cover. Number of Bars Y must satisfy spacing limit. Place parallel to bent.
- (14) Space Bars W at 12" Max (3" from end of cap). Tilt if necessary to maintain cover requirements. Place parallel to longitudinal slab reinforcement.
- (15) See Span details for type of joint and joint locations.

DATE:
FILE:

MISCELLANEOUS
SLAB DETAILS
PRESTR CONCRETE I-GIRDERS

IGMS

FILE: IG-IGMS-19.dgn	DN: TxDOT	CK: TxDOT	DW: JTR	CK: TxDOT
©TxDOT August 2017	CONT	SECT	JOB	HIGHWAY
REVISIONS				
10-19: Modified Note 7, Type A now a pay item.	DIST	COUNTY	SHEET NO.	