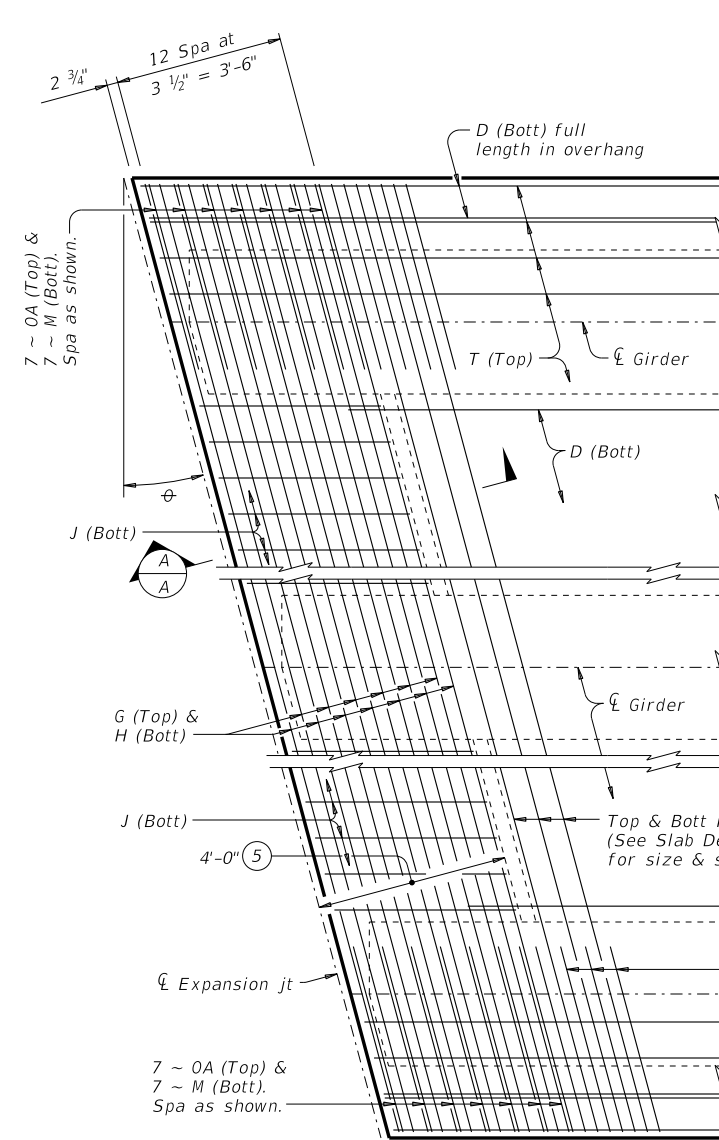
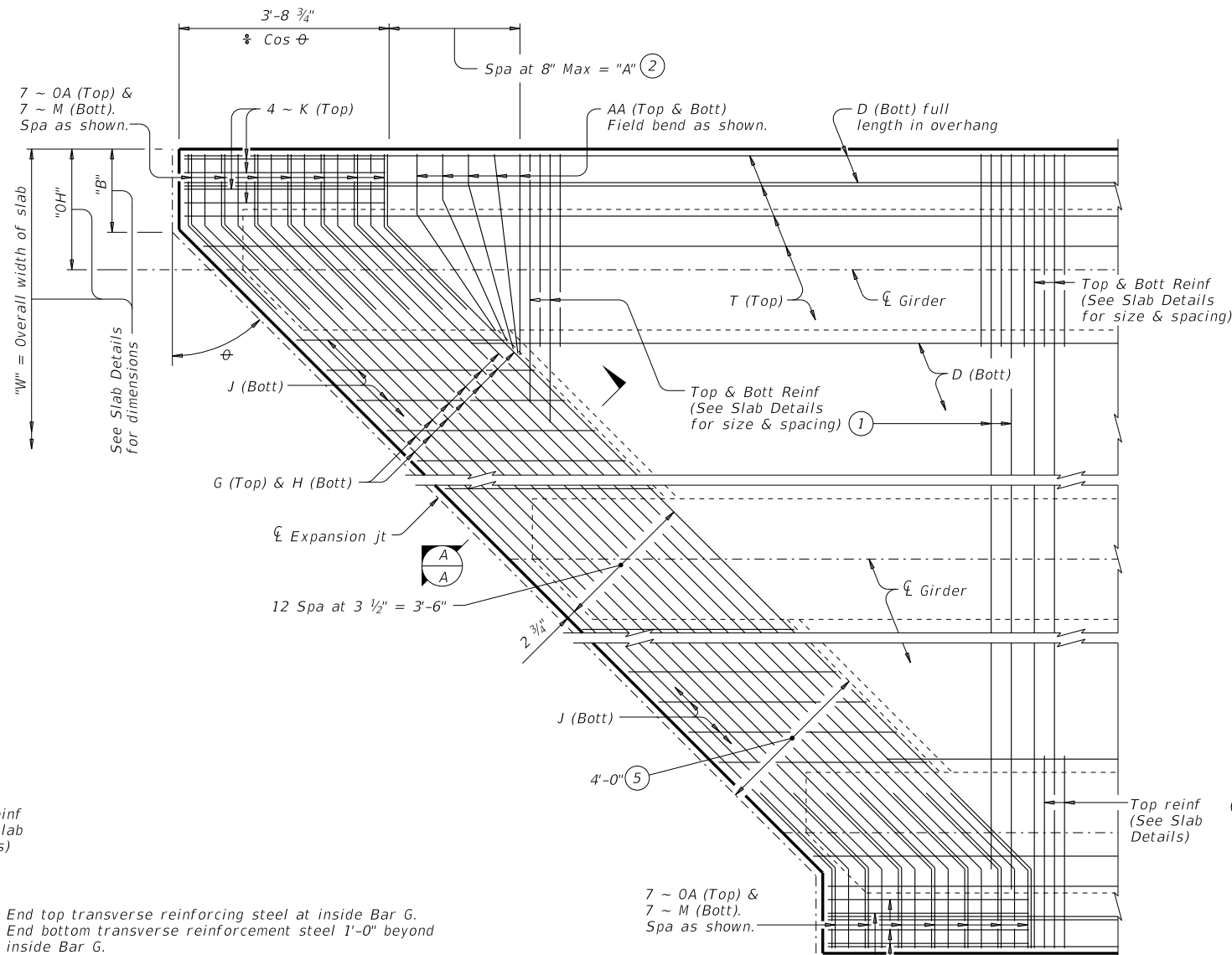


DISCLAIMER: The use of this standard is governed by the "Texas Engineering Practice Act". No warranty of any kind is made by TxDOT for any purpose whatsoever. TxDOT assumes no responsibility for the conversion of this standard to other formats or for incorrect results or damages resulting from its use.

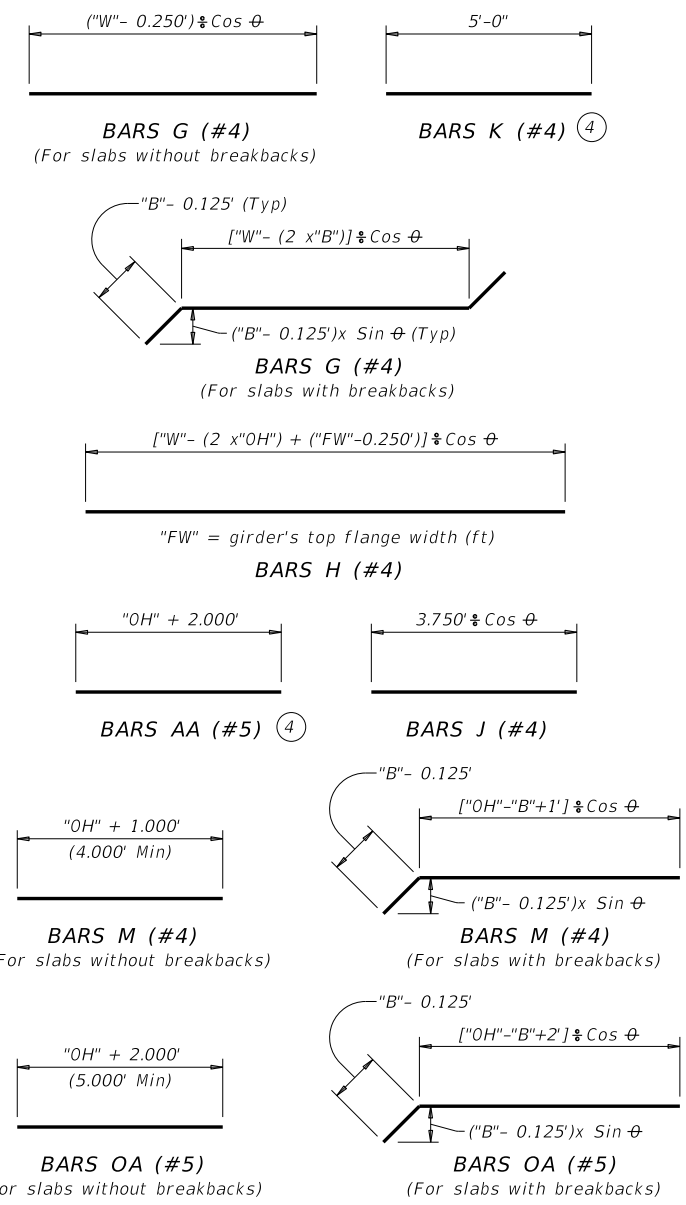


PARTIAL PLAN FOR SLABS WITHOUT BREAKBACK



PARTIAL PLAN FOR SLABS WITH BREAKBACK

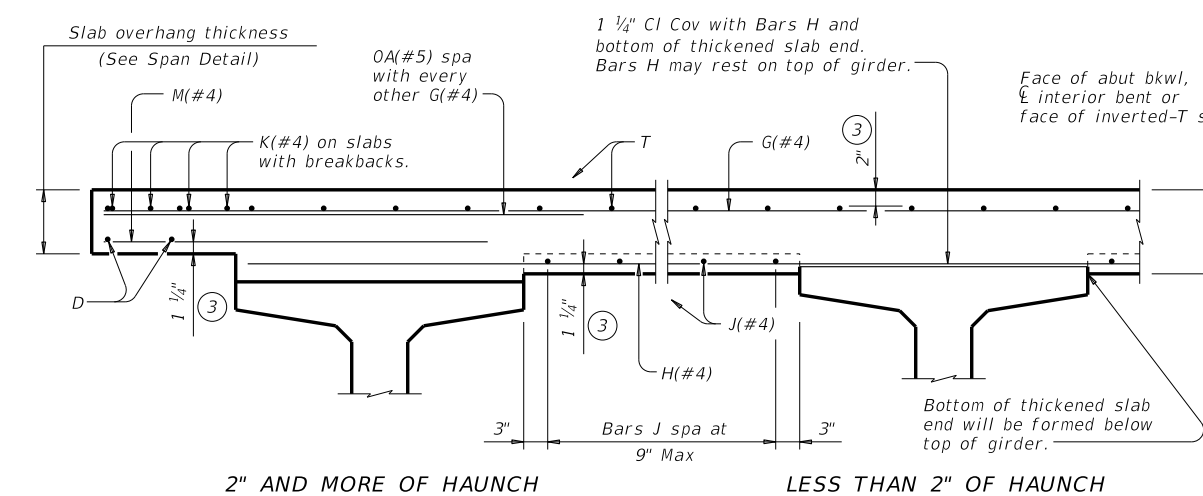
- ① End top transverse reinforcing steel at inside Bar G. End bottom transverse reinforcement steel 1'-0" beyond inside Bar G.
- ② "A" = ("OH" + 2.333 "B") x Tan θ
- ③ Provide clear cover as indicated unless otherwise shown on Span Details.
- ④ Only required on slabs with breakbacks.
- ⑤ Thickened slab end dimensioned perpendicular to face of bkw, centerline interior bent or face of inverted-T stem.



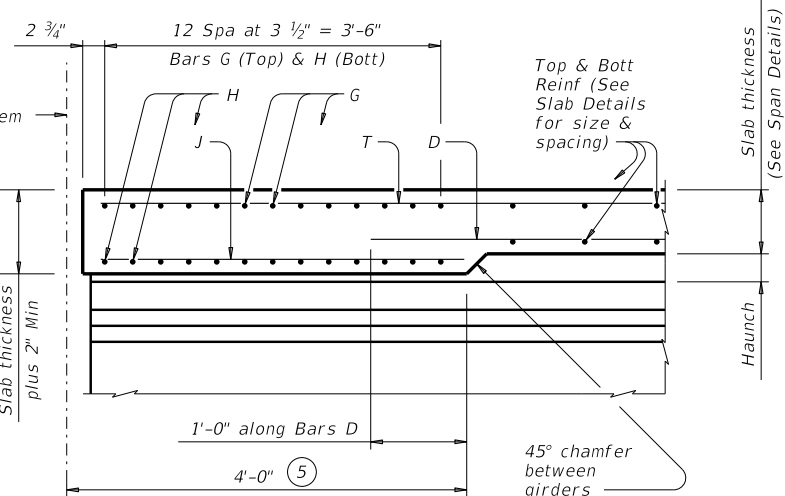
GENERAL NOTES:
 Designed according to AASHTO LRFD Bridge Design Specifications. These details are restricted to Prestressed Concrete I-Girder Spans. These details are to be used in conjunction with the Span Details and PCP standard (if prestressed concrete panels are used). When Option 2 from PCP standard is used, provide Bars AA, G, K and OA in the slab.

MATERIAL NOTES:
 Provide Grade 60 reinforcing steel. If slab reinforcing steel is shown on the Slab Details to be epoxy coated, then Bars AA, G, K, H, J, M and OA must be epoxy coated. Provide bar laps, where required, as follows:
 Uncoated ~ #4 = 1'-7"
 Epoxy Coated ~ #4 = 2'-5"

Cover dimensions are clear dimensions, unless noted otherwise. Reinforcing bar dimensions shown are out-to-out of bar.



TYPICAL TRANSVERSE SECTION
 (Showing Prestressed Conc I-Girders at \perp Brg)



SECTION A-A
 (Showing with 2" and more of haunch)

HL93 LOADING

Texas Department of Transportation		Bridge Division Standard	
THICKENED SLAB END DETAILS			
PRESTRESSED CONCRETE I-GIRDER SPANS			
IGTS			
FILE: IG-IGTS-17.dgn	DN: TxDOT	CK: TxDOT	DW: JTR
©TxDOT August 2017	CONT	SECT	JOB
REVISIONS		HIGHWAY	
DIST	COUNTY	SHEET NO.	

DATE: FILE: