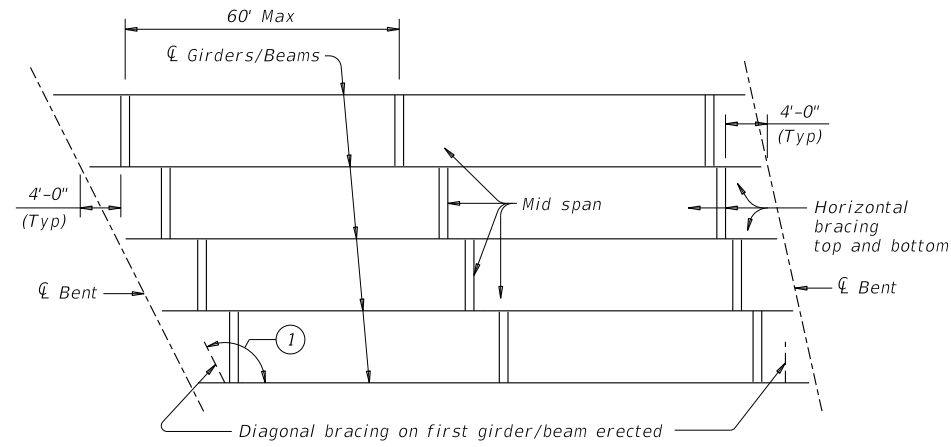
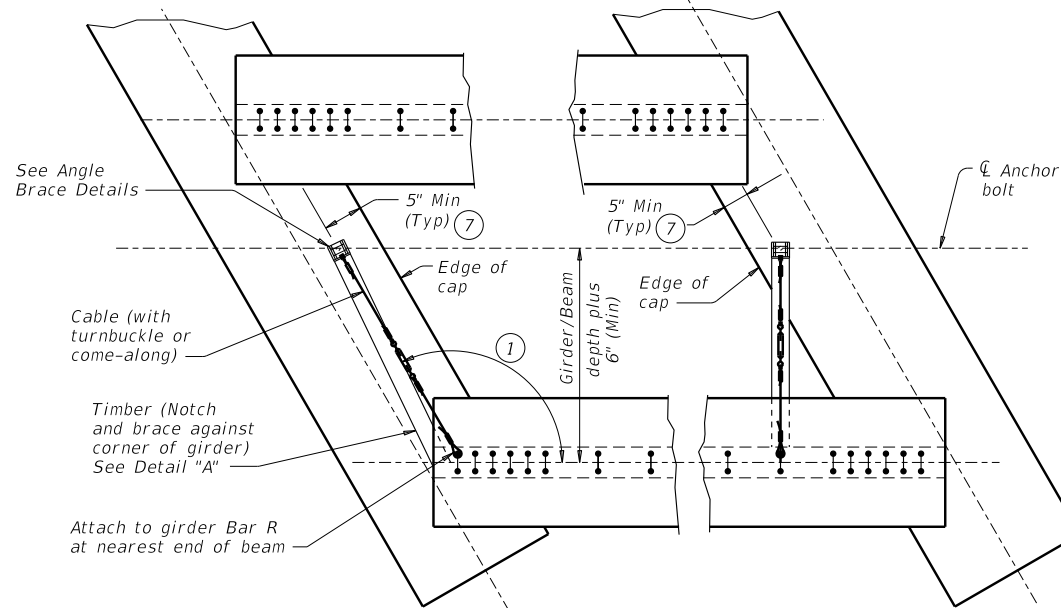


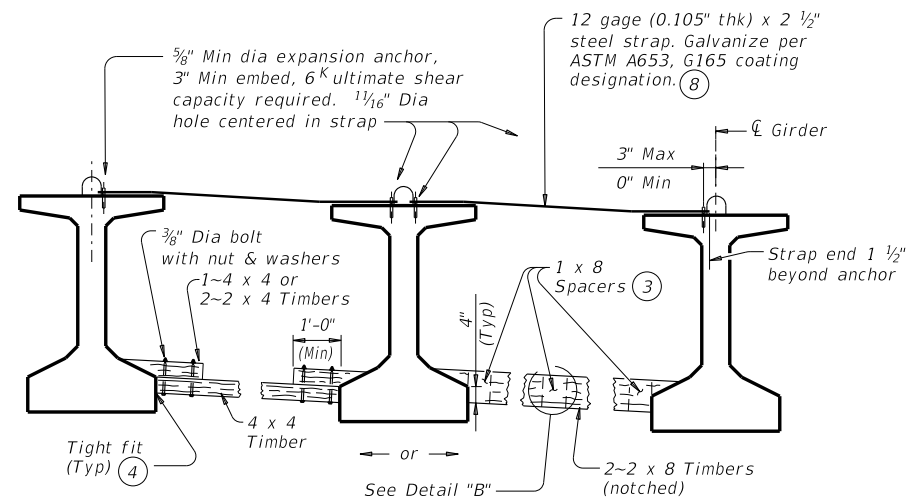
DISCLAIMER: The use of this standard is governed by the "Texas Engineering Practice Act". No warranty of any kind is made by TxDOT for any purpose whatsoever. TxDOT assumes no responsibility for the conversion of this standard to other formats or for incorrect results or damages resulting from its use.



ERECTION BRACING

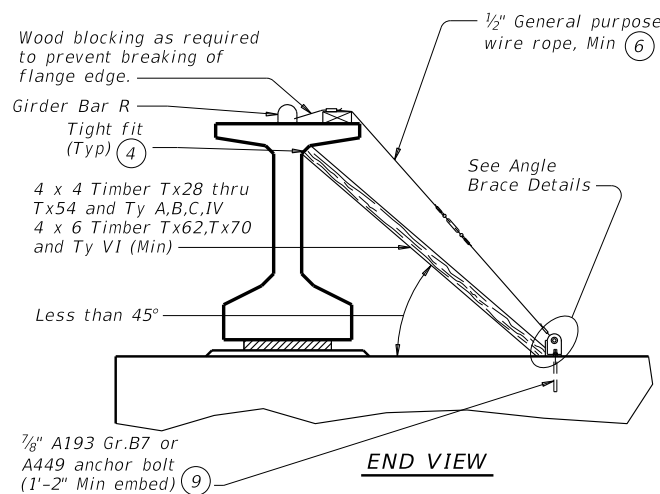


PLAN



FOR ERECTION BRACING, OPTION 1

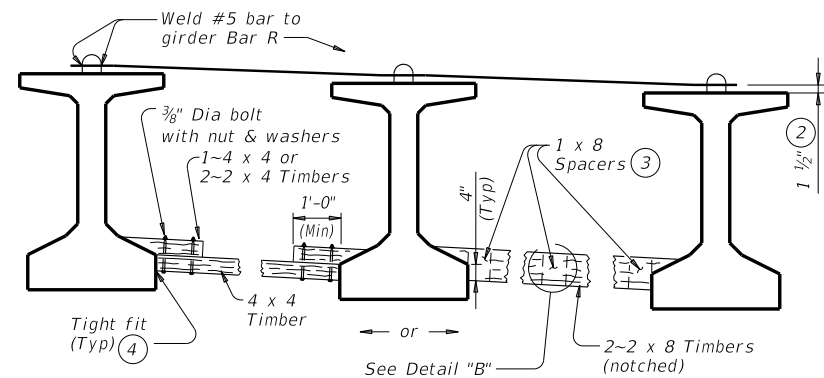
(This option is not allowed when slab is formed with PMDF or plywood.)



END VIEW

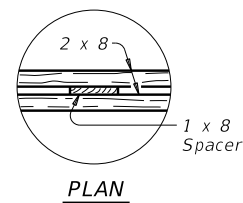
DIAGONAL BRACING DETAILS

(To be used on both ends of the first girder/beam erected in the span in each phase.)

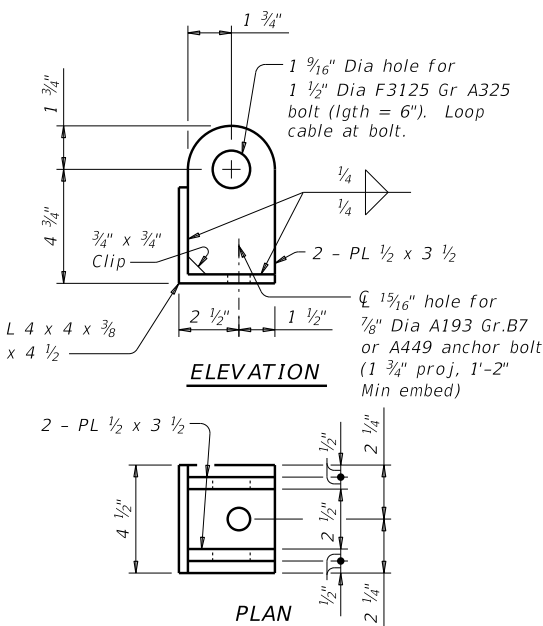


FOR ERECTION BRACING, OPTION 2

HORIZONTAL BRACING DETAILS



DETAIL "B"



ANGLE BRACE DETAILS

HAULING & ERECTION:

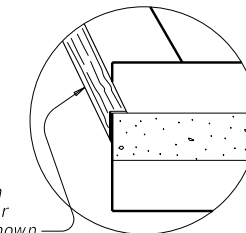
The Contractor's attention is directed to the possible lateral instability of prestressed concrete girders and beams over 130' long, especially during hauling and erection. The use of the following methods to improve stability is encouraged: Locate lifting devices at the maximum practical distance from girder ends; use external lateral stiffening devices during hauling and erection; lift with vertical lines using two machines; and take care in handling to minimize inertial and impact forces.

ERECTION BRACING:

Erection bracing details shown are considered the minimum for fulfilling the bracing requirements of Item 425. Required erection bracing must be placed immediately after erection of each girder and remain in place until additional bracing as required for slab placement is in place. This standard is needed in all cases to meet requirements for Slab Placement Bracing.

PHASED CONSTRUCTION:

Place erection and slab placement bracing for all girders in a phase as shown in these details. For phases after first, also place erection and slab placement bracing between outer girder of completed phase and adjacent girder of current phase. When the phase construction joint is between girders, top bracing can be omitted.



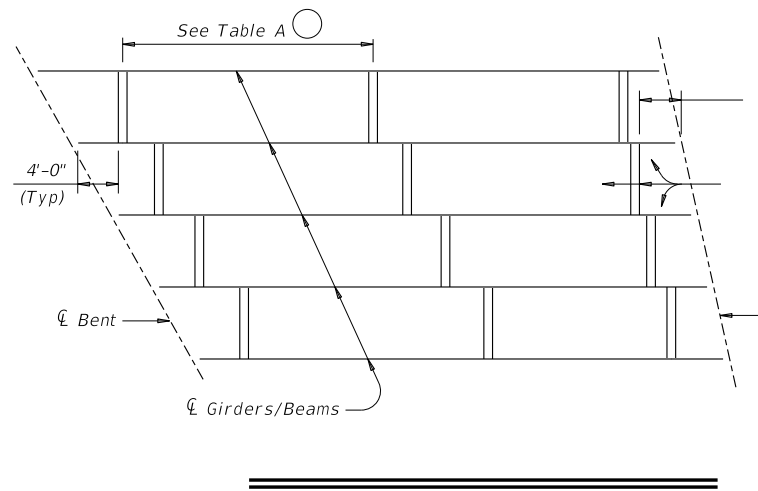
DETAIL "A"

- 1 If angle shown exceeds 120 degrees, move diagonal brace to other side of girder/beam and place square to girder/beam. This may prevent exterior girder from being erected first.
- 2 Place and weld #5 bars as shown during erection. If forming deck with prestressed panels, bars can be temporarily removed, one at a time, during panel erection. Re-install bar prior to additional panel erection. Bars can rest on panels and be bent down and welded to girder Bars R (See Sheet 2 of 2).
- 3 Clear distance between spacers must not exceed 3'. Nail together with 16d nails.
- 4 Use wedges as necessary to obtain tight fit. Nail wedges to timbers.
- 5 Pressure treated landscape timbers can not be used.
- 6 All hardware used with cable must be able to develop a minimum 25 kips breaking strength. Use thimbles at all loops in cable. Install cable clamps with saddles bearing against the live end and U-bolts bearing against the dead end.
- 7 It is acceptable to tie anchor bolts to cap reinforcement.
- 8 Prior to installing, field bend strap to lay flush on both girders' top flange and slope between flange tips.
- 9 Anchor bolt may be drilled and epoxied in place. Provide 25k minimum pullout. Core drill hole.

SHEET 1 OF 2

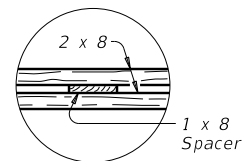
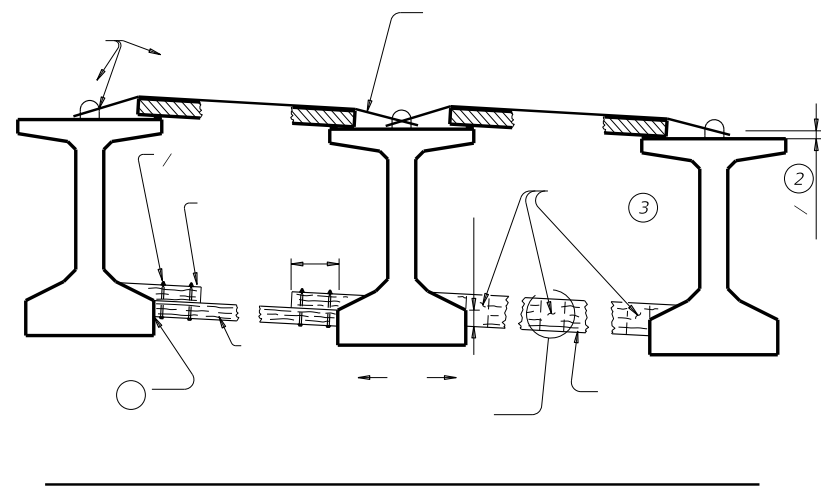
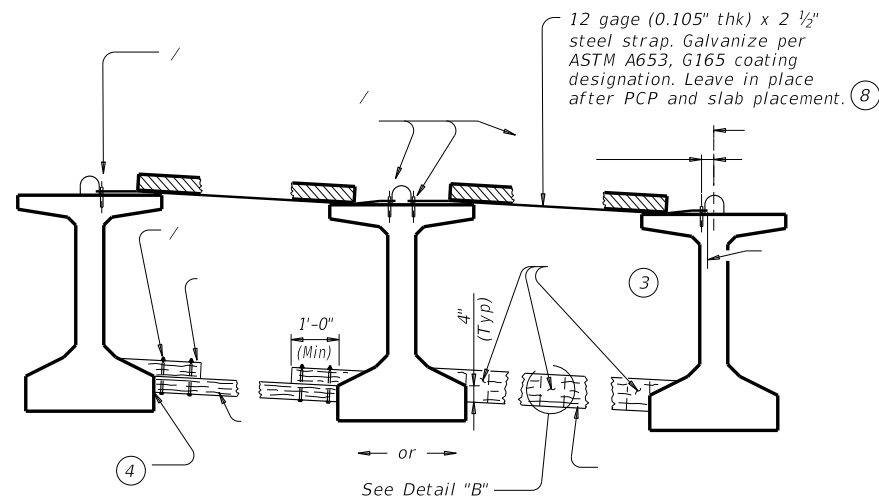
		Bridge Division Standard	
MINIMUM ERECTION AND BRACING REQUIREMENTS PRESTRESSED CONCRETE I-GIRDERS AND I-BEAMS MEBR(C)			
FILE: IG-MEBR(C)-17.dgn	DN: TxDOT	CK: TxDOT	OW: TxDOT
©TxDOT August 2017	CONT	SECT	JOB
REVISIONS			HIGHWAY
	DIST	COUNTY	SHEET NO.

DATE: FILE:



Girder or Beam Type	Maximum Bracing Spacing	
	○	○
Tx28	1/4 points	1/4 points
Tx34	1/4 points	1/4 points
Tx40	1/4 points	1/8 points
Tx46	1/4 points	1/8 points
Tx54	1/4 points	1/8 points
Tx62	1/4 points	1/8 points
Tx70	1/4 points	1/8 points
A	1/8 points	1/8 points
B	1/8 points	1/8 points
C	1/8 points	1/8 points
IV	1/4 points	1/8 points
VI	1/4 points	1/8 points

Girder or Beam Type	Maximum Bracing Spacing	
	○	○
Tx28	1/4 points	1/8 points
Tx34	1/4 points	1/8 points
Tx40	1/4 points	1/8 points
Tx46	1/4 points	1/8 points
Tx54	1/4 points	1/8 points
Tx62	1/4 points	1/8 points
Tx70	1/4 points	1/8 points
A	2.0 ft	1.5 ft
B	3.0 ft	2.0 ft
C	4.5 ft	2.0 ft
IV	1/4 points	4.0 ft
VI	1/4 points	4.0 ft



②

③

④

⑤

⑧

○

○

○

○

○

○

○

○

○

○

○

○

○

○

○

○

○

○

○

○

○

"Anchor Bolt"



FILE:	DN: TxDOT	CK: TxDOT	DW: TxDOT	CK: TxDOT
©TxDOT August 2017	CONT	SECT	JOB	HIGHWAY
REVISIONS	DIST		COUNTY	SHEET NO.

DATE:
FILE: