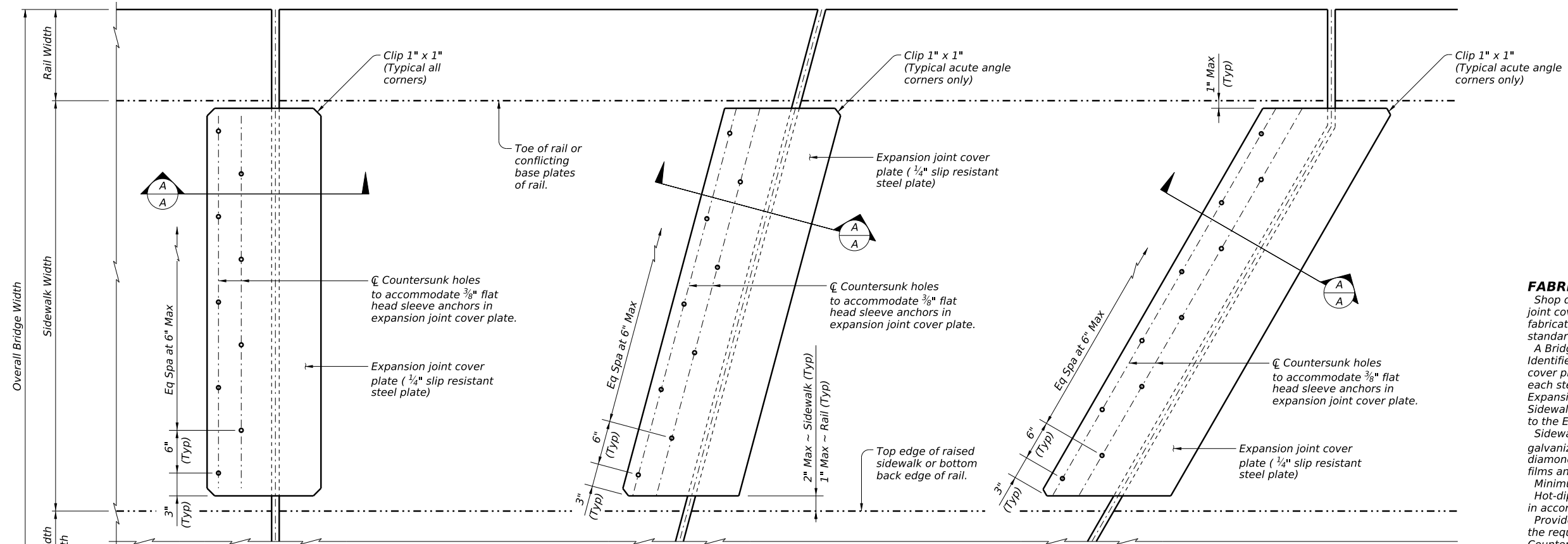


DISCLAIMER: The use of this standard is governed by the "Texas Engineering Practice Act." No warranty of any kind is made by TxDOT for any purpose whatsoever. TxDOT assumes no responsibility for the conversion of this standard to other formats or for incorrect results or damages resulting from its use.

DATE: FILE:

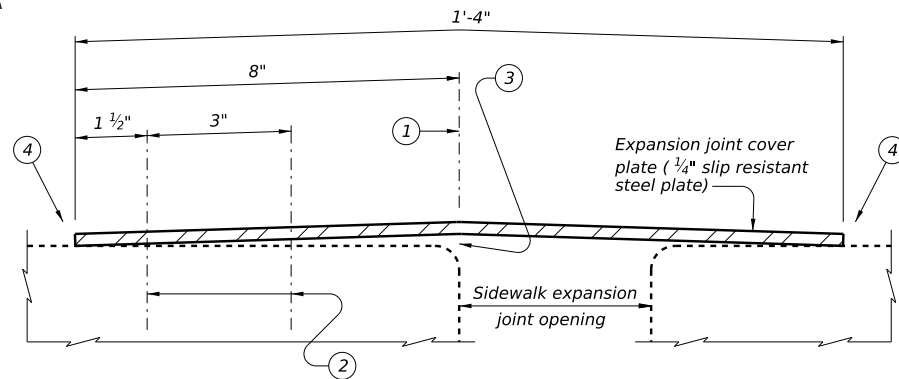


**NO SKEW**

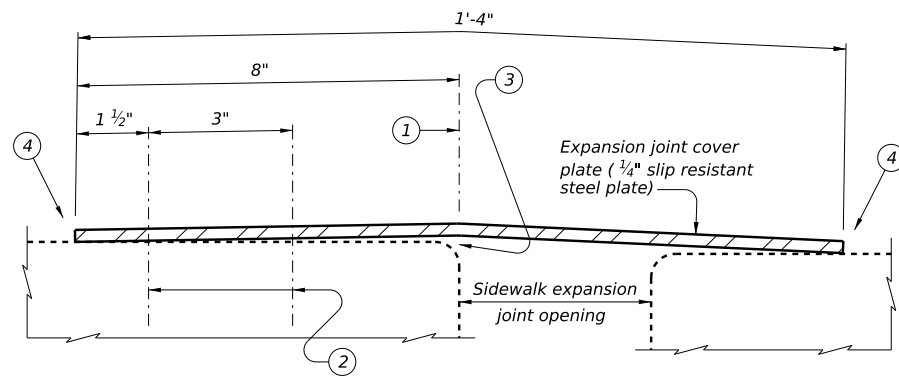
**SKEW WITHOUT SLAB BREAKBACK**

**SKEW WITH SLAB BREAKBACK**

**PLAN**



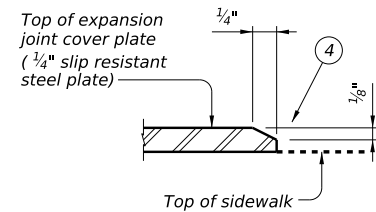
**SHOWING LEVEL EXPANSION JOINT**



**SHOWING UNLEVEL EXPANSION JOINT**

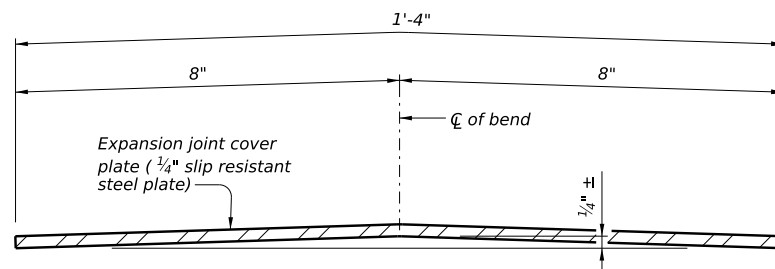
(Install sleeve anchors on high side of expansion joint.)

**SECTION A-A**



**EXPANSION JOINT COVER PLATE BEVEL DETAIL**

Bevel all plate edges as shown.



**BENDING DIAGRAM OF EXPANSION JOINT COVER PLATE**

- ① Expansion joint cover plate and edge of expansion joint.
- ② 3/8" x 2 1/2" Min, flat head sleeve anchors, stainless steel. Countersink flat head sleeve anchors in 1/4" slip resistant steel plate.
- ③ It is not necessary to remove plate crown provided the plate is firmly secured to the sidewalk.
- ④ Transverse edges must be in contact with sidewalk surface after installation.

APPROVED SLIP RESISTANT PLATE	
Product	Manufacturer Website
Algrip™, Steel	www.algrip.com
Mebac® #3, Steel	www.harscoikg.com
SlipNOT® Grade 2, Steel	www.slipnot.com

Provide cover plates fabricated with a product from this list. No exceptions are permitted.

**FABRICATION NOTES:**

Shop drawings for the fabrication of bridge sidewalk expansion joint cover plate will not require the Engineer's approval if fabrication is in accordance with the details shown on this standard.

A Bridge Sidewalk Expansion Joint Cover Plate Layout which identifies location side of sleeve anchors and orientation of all cover plate sections must be developed by the fabricator. Mark each steel section in accordance with the Bridge Sidewalk Expansion Joint Cover Plate Layout. A copy of the Bridge Sidewalk Expansion Joint Cover Plate Layout is to be provided to the Engineer.

Sidewalk expansion joint cover plates must be hot-dipped galvanized 1/4" slip resistant steel plate. Checker plate or diamond plate is not allowed nor are slip resistant tapes, films and non-metallic coatings.

Minimum required yield strength of steel plate is 36 ksi. Hot-dip galvanize slip resistant steel plate after fabrication in accordance with Item 445, "Galvanizing."

Provide stainless steel flat head sleeve anchors meeting the requirements of ASTM F 593, Group I, Alloy 304. Countersink holes in slip-resistant plate for sleeve anchors. Drill holes in sidewalk as per sleeve anchor manufacturer's recommendations. Install sleeve anchors flush with, or slightly recessed below, top surface of sidewalk expansion joint cover plate.

**GENERAL NOTES:**

Sidewalk expansion joint cover plates can only accommodate up to a 7" maximum expansion joint opening.

Details provided are applicable to concrete walkway surfaces only.

Payment for sidewalk expansion joint cover plates are by the pound of "Structural Steel (Misc Non-Bridge)" as per Item 442, "Metal for Structures."

Estimated weight of one sidewalk expansion joint cover plate is 14 plf.

		<b>Bridge Division Standard</b>	
<b>BRIDGE SIDEWALK EXPANSION JOINT COVER PLATE (ALL SKEWS)</b>			
<b>BS-EJCP</b>			
FILE: MS-BS-EJCP-24.dgn	DN: TxDOT	CK: TxDOT	DW: TxDOT
©TxDOT October 2024	CONT	SECT	JOB
REVISIONS			HIGHWAY
	DIST	COUNTY	SHEET NO.