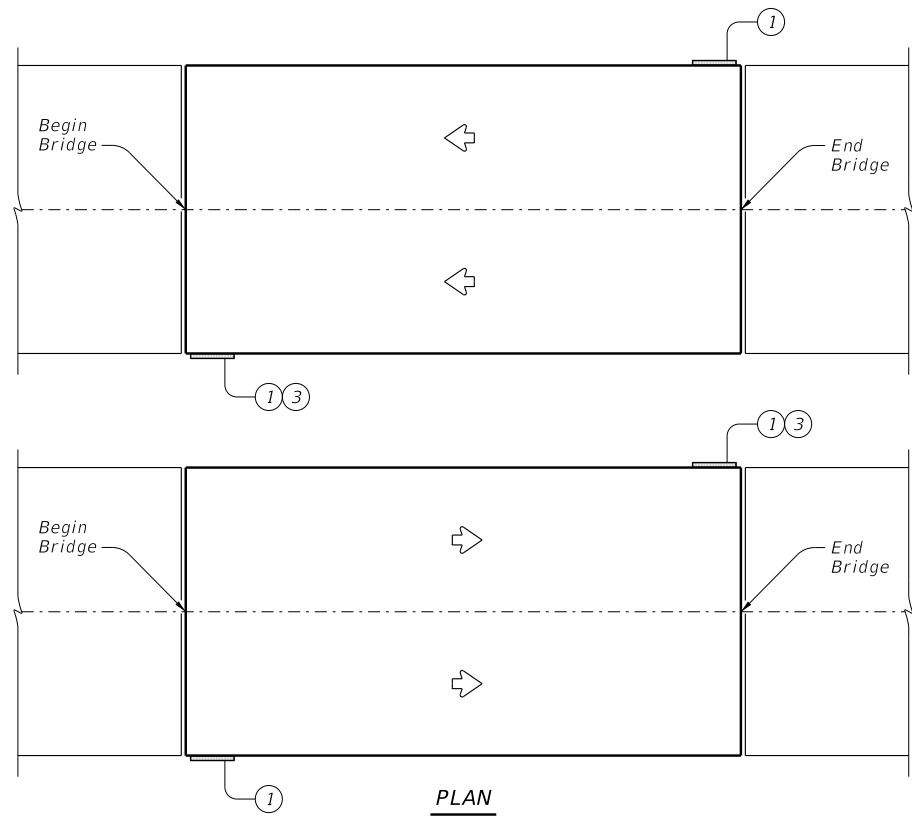
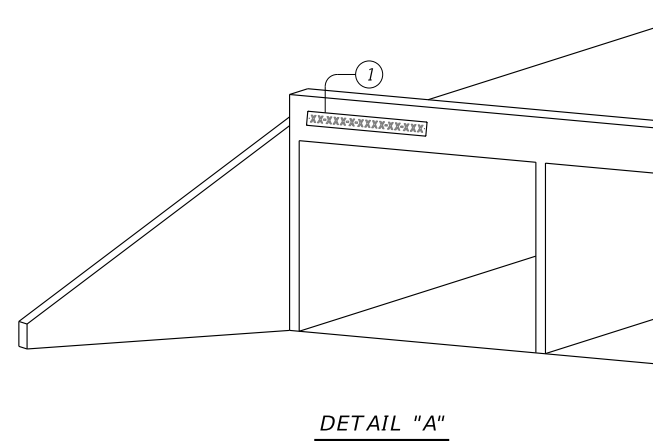
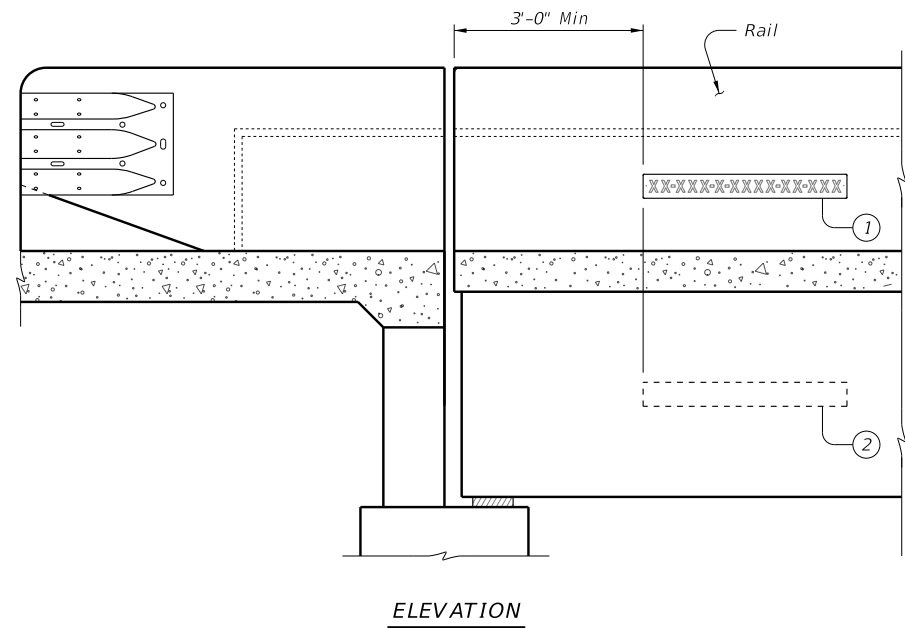
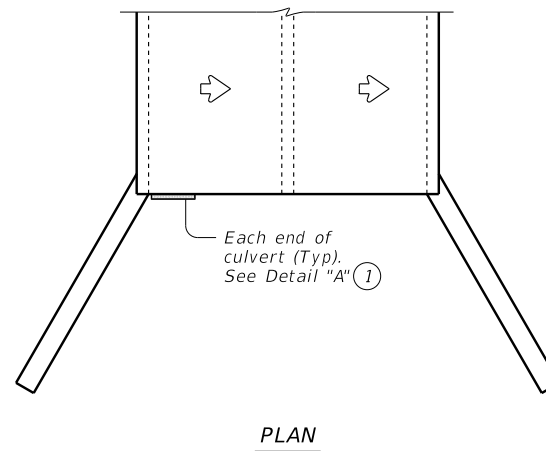


DISCLAIMER: The use of this standard is governed by the "Texas Engineering Practice Act". No warranty of any kind is made by TxDOT for any purpose whatsoever. TxDOT assumes no responsibility for the conversion of this standard to other formats or for incorrect results or damages resulting from its use.

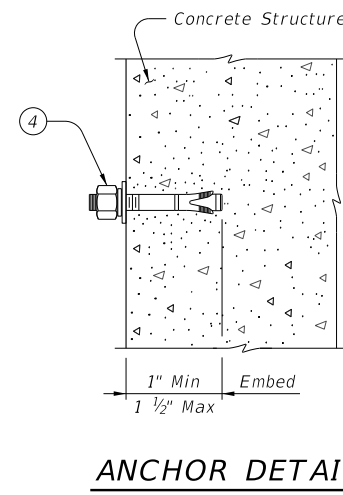
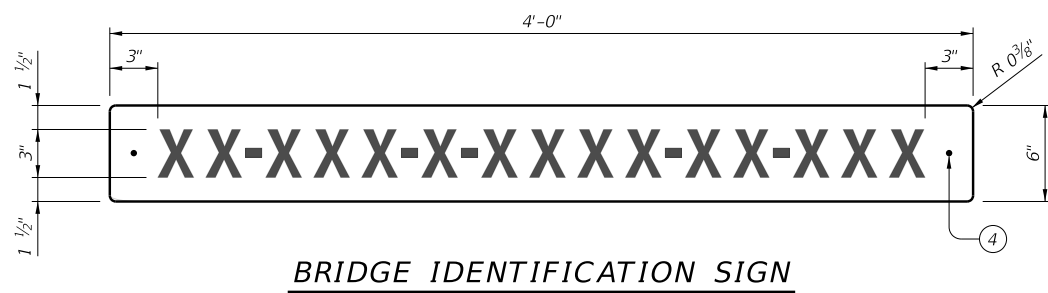
DATE: FILE:



BRIDGE CLASS CULVERT SIGN PLACEMENT



BRIDGE SIGN LOCATIONS



SHEETING REQUIREMENTS

Usage	Color	Sign Face Material
Background	White	Type B or C Sheeting
Letters and Symbols	Black	Type B or C Sheeting

- ① Bridge identification sign location
- ② Alternate sign placement location for exterior concrete beams.
- ③ If adjacent bridges are less than 2 feet apart, these signs may be omitted.
- ④ 1/4" Diameter stainless steel expansion anchor with hex nut, washer, and spring-lock washer.

SIGN NOTES:

Standard sign designs can be found in the Standard Highway Sign Designs for Texas (SHSD).

Use the Clearview Alphabet CV-2W for the letters and symbols.

MATERIAL NOTES:

Provide lateral spacing between letters and numerals conforming with the SHSD, and any approved changes thereto. Provide a balanced appearance when spacing is not shown.

Provide aluminum sign blanks with a minimum thickness of 0.080" that meet the requirements of DMS-7110.

Provide sign face materials that meet the requirements of DMS-8300 and the sheeting requirements shown in the table.

Provide 1/4" diameter stainless steel expansion anchors with one hex head nut, one flat washer, and one helical spring-lock washer each.

Use torque controlled mechanical expansion anchors that are approved for use in cracked concrete by the International Code Council, Evaluation Service (ICC-ES). Provide anchor products that have a designated ICC-ES Evaluation Report number. The approval status must be maintained on the ICC-ES website under Division 031600 for Concrete Anchors.

Unless otherwise approved by the Engineer: do not use adhesive anchors; do not use expansion anchors that are not included in the ICC-ES approval list; and do not use expansion anchors that are only approved for use in uncracked concrete.

Use anchors manufactured with stainless steel expansion wedges. Anchors manufactured with carbon steel expansion wedges are not allowed. Anchor bodies can be either zinc-plated carbon steel or stainless steel. For application in marine environments, provide both stainless steel anchor bodies and expansion wedges.

GENERAL NOTES:

Prior to hole drilling, locate rebar to ensure clearing of existing reinforcement and/or strands.

Prior to installation, obtain approval of sign locations from the Engineer. Avoid placement of sign over travel lanes and pedestrian walkways. Submit proposed installation method to Engineer prior to beginning work. Install anchors as shown on plans and in accordance with the anchor manufacturer's published installation instructions.

Do not install anchors sections of members under tension.

For new construction, the signs and anchors are subsidiary to the bridge. For installations on existing structures, the signs and anchors are paid under Item 442, "Metal for Structures." Each sign weighs 28 lbs.

Texas Department of Transportation **Bridge Division Standard**

NBIS BRIDGE IDENTIFICATION SIGN STANDARD

NBIS

FILE: MS-NBIS-23.dgn	DN: TAR	CK: TxDOT	DW: JER	CK: TAR
©TxDOT March 2023	CONT	SECT	JOB	HIGHWAY
REVISIONS				
	DIST	COUNTY		SHEET NO.