

DISCLAIMER: The use of this standard is governed by the "Texas Engineering Practice Act". No warranty of any kind is made by TxDOT for any purpose whatsoever. TxDOT assumes no responsibility for the conversion of this standard to other formats or for incorrect results or damages resulting from its use.

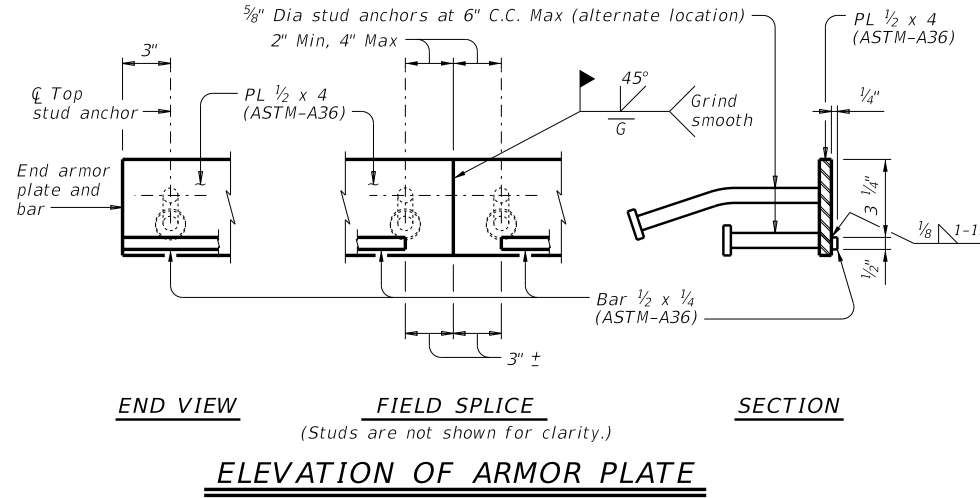
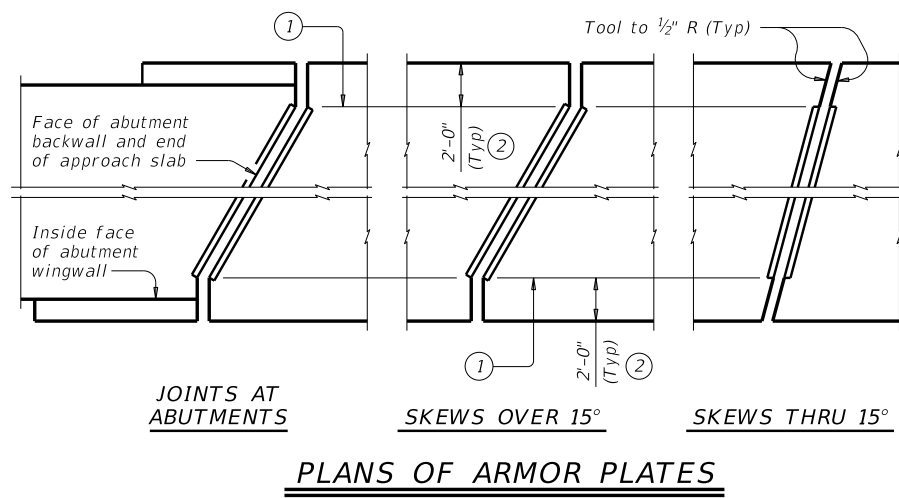


TABLE OF SEALED EXPANSION JOINT INFORMATION			
MANUFACTURER	STEEL SECTION (7)	STRIP SEAL	
		4" JOINT	
		Seal Type	Joint Opening (8)
D.S. Brown	As shown	V-400	2 1/4"
R.J. Watson	As shown	SF-400	2 1/2"
SSI	As shown	SSS-400	2 1/2"
Watson Bowman Acme	As shown	SPS-400	2"

REDUCED LONGITUDINAL MOVEMENT RANGE	
SKEW (deg)	JOINT SIZE
0	4.0"
15	4.0"
30	3.5"
45	2.8"

DESIGN NOTES:
 Joints installed on a skew have reduced ability to accommodate longitudinal movement. Use table values to determine the correct joint size for skewed installations. For other skews over 25 degrees, calculate reduced movement range by multiplying joint size by cosine (skew).

FABRICATION NOTES:

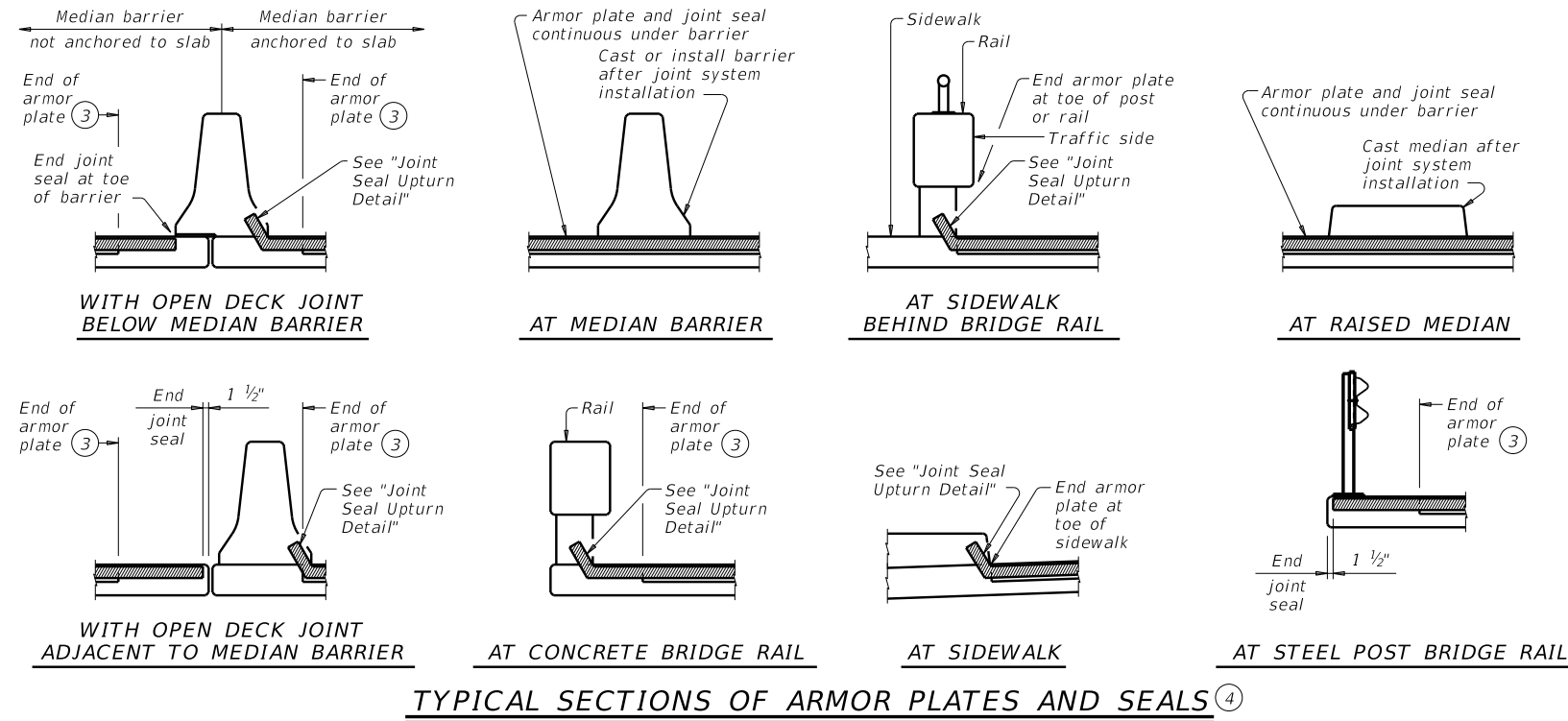
Temporarily shop assemble corresponding sections of sealed expansion joints (SEJ), check for fit, and match mark for shipment. Secure corresponding sections together for shipment with shipping angle. Do not use erection bolts.
 The seal must be continuous and included in the price bid for sealed expansion joint.
 Ship steel sections in convenient lengths of 10'-0" Min and 24'-0" Max unless necessary for staged construction or widenings. One shop splice is permitted in each shipping length provided no piece is less than 2'-0" long and sufficient studs are added to limit the stud to shop splice distance to 2" Min and 4" Max.
 Weld studs in accordance with AWS D1.1.
 Butt weld all shop and field splices and grind smooth areas in contact with seal. Make all necessary field splice joint preparations in the shop.
 Paint the entire steel section with System II or IV primer in accordance with Item 446, "Field Cleaning and Painting Steel." Provide paints in accordance with Item 446.2. Prepare steel and apply paint in accordance with Item 446.4.7.3 and 446.4.7.4.
 Shop drawings for the fabrication of sealed expansion joints will not require the Engineer's approval if fabrication is in accordance with the details shown on this standard.

CONSTRUCTION NOTES:

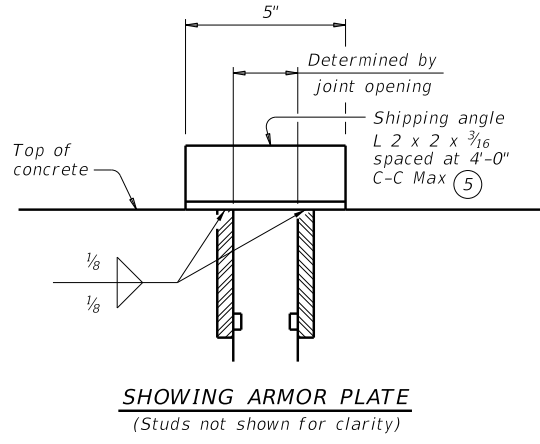
Secure the sealed expansion joint in position and place to the proper grade and alignment by welding braces to adjacent reinforcing steel, to prestressed beam stirrups, or to anchors cast in concrete diaphragms. Include cost of temporary bracing in the price bid for sealed expansion joint.
 Remove shipping angle immediately after each joint half is secured in place. Grind smooth, and touch up with organic zinc-rich paint.
 Clean and prepare seal cavity for seal installation as per the Manufacturer's installation procedures.
 Splice and install seal in accordance with the Manufacturer's directions and with the adhesive provided by the Manufacturer.
 Splice in joint seal may be performed in the field.

GENERAL NOTES:

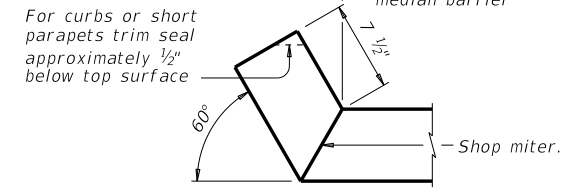
Provide sealed expansion joints in the size and at locations shown on the plans.
 Minimum slab and overhang thickness required for the use of SEJ-B is 6 1/2".



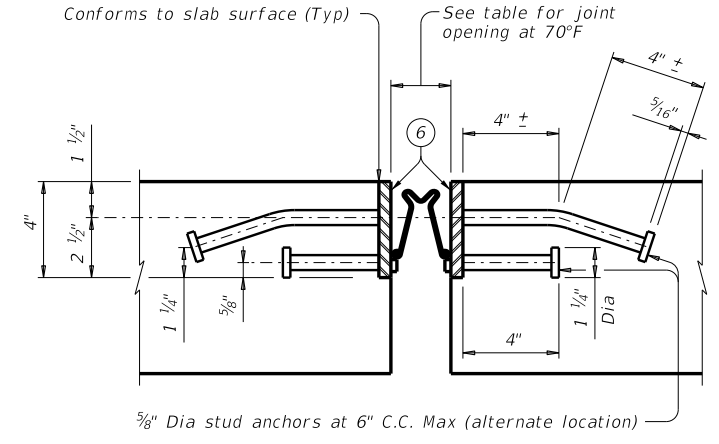
- At Fabricator's option, armor plate may extend up to 6" beyond this point for skews through 15°.
- Unless shown otherwise, terminate armor plate at slab break point if break is more than 2'-0" from slab edge.
- See "Plans of Armor Plates".
- Other conditions affecting the joint profile should be noted elsewhere.
- Align shipping angle perpendicular to joint.
- Coat with Manufacturer's supplied epoxy primer above bar before installing sealant.
- Shape of steel section shown is typical. Variations in sections must be approved by the Engineer.
- These openings are also the recommended minimum installation openings.



An alternate method of securing joint sections may be used if approved by the Bridge Division. Erection bolts are not allowed.



Upturn seal only. Terminate armor plates as shown in "Plans of Armor Plates" and "Typical Sections of Armor Plates & Seals."



		Bridge Division Standard	
SEALED EXPANSION JOINT TYPE B WITHOUT OVERLAY			
SEJ-B			
FILE: MS-SEJ-B-19.dgn	DN: TxDOT	CK: TxDOT	DW: JTR
©TxDOT	April 2019	CONT	SECT
REVISIONS		JOB	HIGHWAY
		DIST	COUNTY
		SHEET NO.	

DATE: FILE: