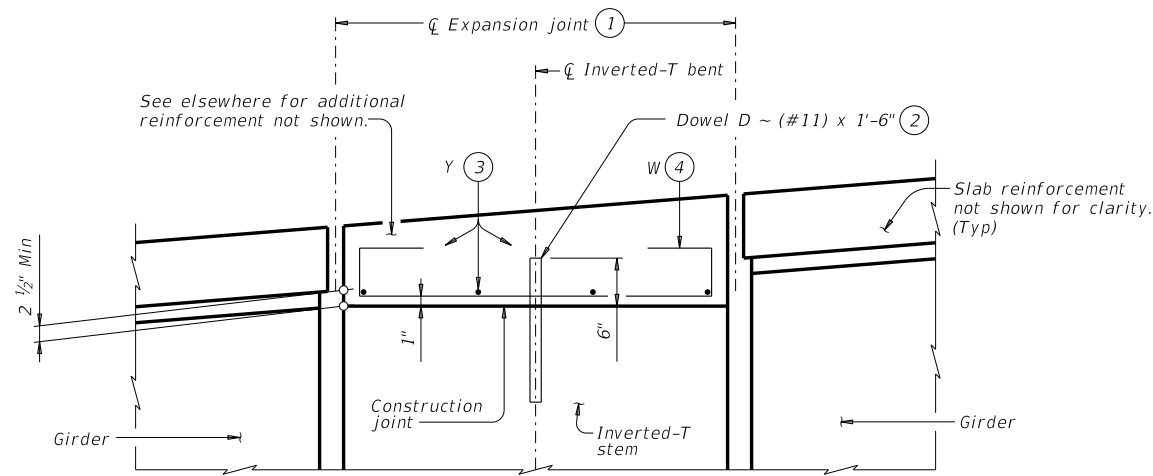
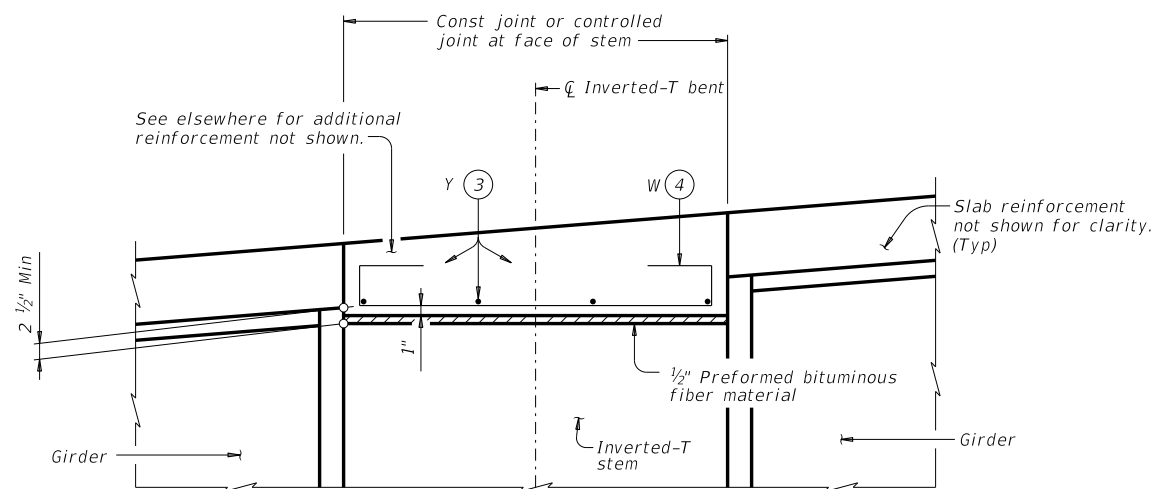


DISCLAIMER: The use of this standard is governed by the "Texas Engineering Practice Act". No warranty of any kind is made by TxDOT for any purpose whatsoever. TxDOT assumes no responsibility for the conversion of this standard to other formats or for incorrect results or damages resulting from its use.

DATE:  
FILE:

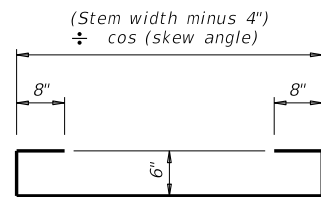


**SHOWING EXPANSION JOINTS**



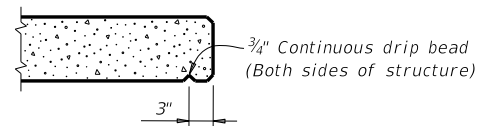
**SHOWING CONSTRUCTION JOINTS OR CONTROLLED JOINTS**

**REINFORCEMENT OVER INVERTED-T BENTS**

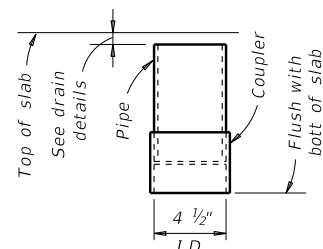


**BARS W (#4)**

- ① See Layout for joint type.
- ② Dowels D (#11) spaced at 5 Ft Max. See inv-T bents for quantity and location.
- ③ Space Bars Y (#4) at 12" Max. Use 2" end cover. Number of Bars Y must satisfy spacing limit. Place parallel to bent.
- ④ Space Bars W at 12" Max (3" from end of cap). Tilt if necessary to maintain cover requirements. Place parallel to longitudinal slab reinforcement.
- ⑤ Drain entrance formed in rail or sidewalk.

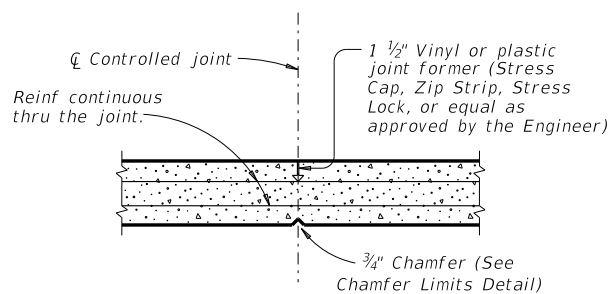


**DRIP BEAD DETAIL**



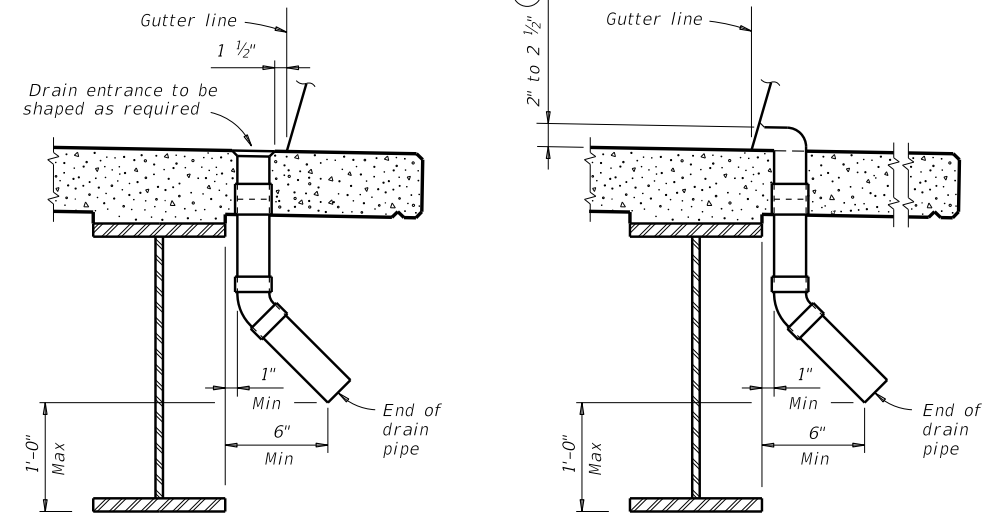
**C-I-P DRAIN DETAIL**

Note: Roughen outside of PVC with coarse rasp or equal to ensure bond with cast-in-place concrete.



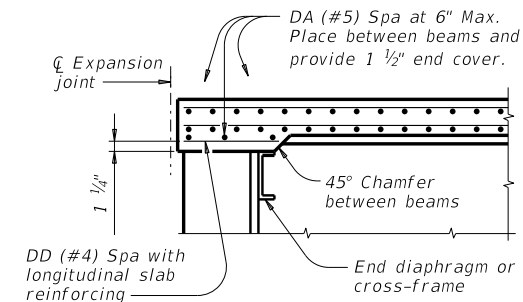
**CONTROLLED JOINT DETAIL**

(Saw-cutting is not allowed)



**DRAIN DETAILS**

Note: All drain pipe and fittings to be 4" diameter (Sch 40) PVC. See Item 481 "Pipe for Drains" for pipe, connections and solvent welding. Bend reinforcing steel to clear PVC 1". Drain length and location are as directed by the Engineer. Drains are not permitted over roadways or railways, or within 10'-0" of bent caps. Degrease outside of exposed PVC, apply acrylic water base primer, then coat with same surface finishing material as used for outside girder face. Variations of the above designs, as required for the type of rail used and its location on the structure, may be installed with the approval and direction of the Engineer. Water may not be discharged onto girders.

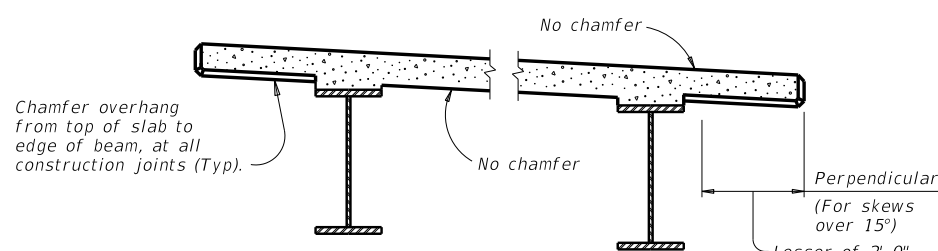


**SECTION AT SLAB ENDS**

Showing additional required slab reinforcement when Thickened Slab Ends, shown on standard SGTS, are not indicated on the span details.

**GENERAL NOTES:**  
Designed according to AASHTO LRFD Bridge Design Specifications.  
All items (reinforcing steel, drains, joint formers, etc.) shown on this sheet are subsidiary to other bid items.  
Provide Grade 60 reinforcing steel.

Cover dimensions are clear dimensions, unless noted otherwise.  
Reinforcing bar dimensions shown are out-to-out of bar.



**CHAMFER LIMITS DETAILS**

Note: See Span details for const joint locations.



**MISCELLANEOUS  
SLAB DETAILS  
STEEL GIRDERS AND BEAMS**

**SGMS**

FILE: MS-SGMS-19.dgn	DN: TxDOT	CK: AES	DW: JTR	CK: TxDOT
©TxDOT April 2019	CONT	SECT	JOB	HIGHWAY
REVISIONS				
	DIST	COUNTY		SHEET NO.