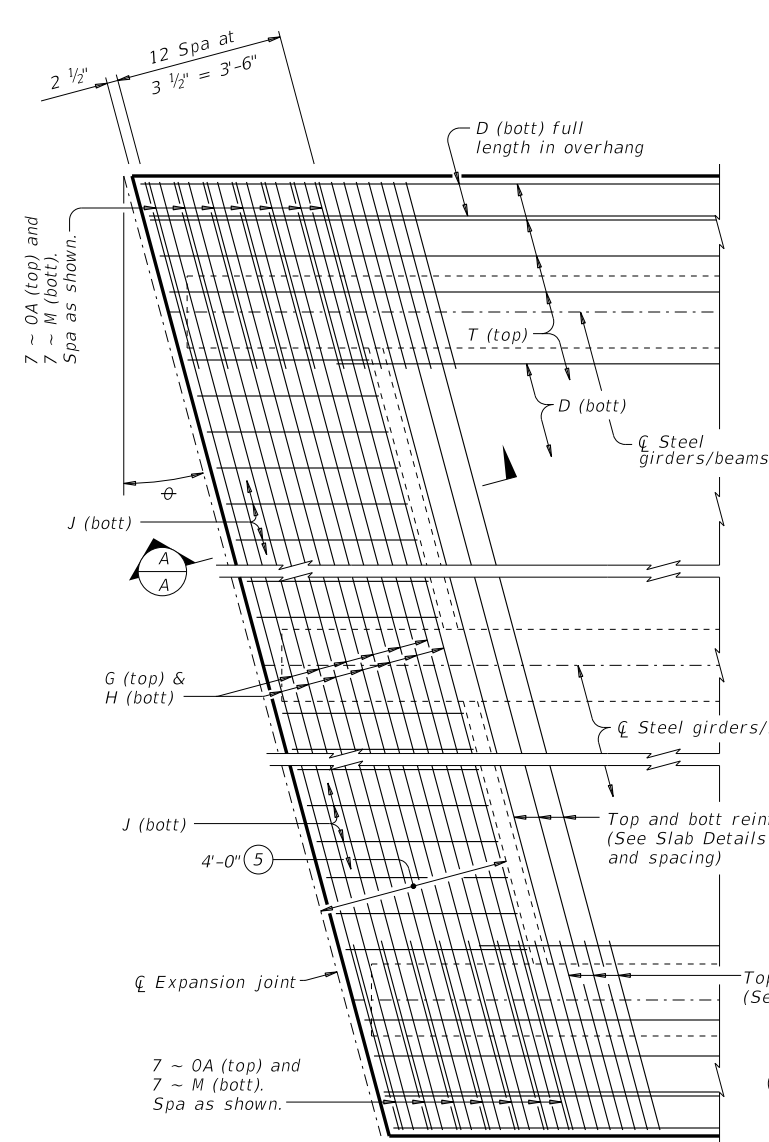
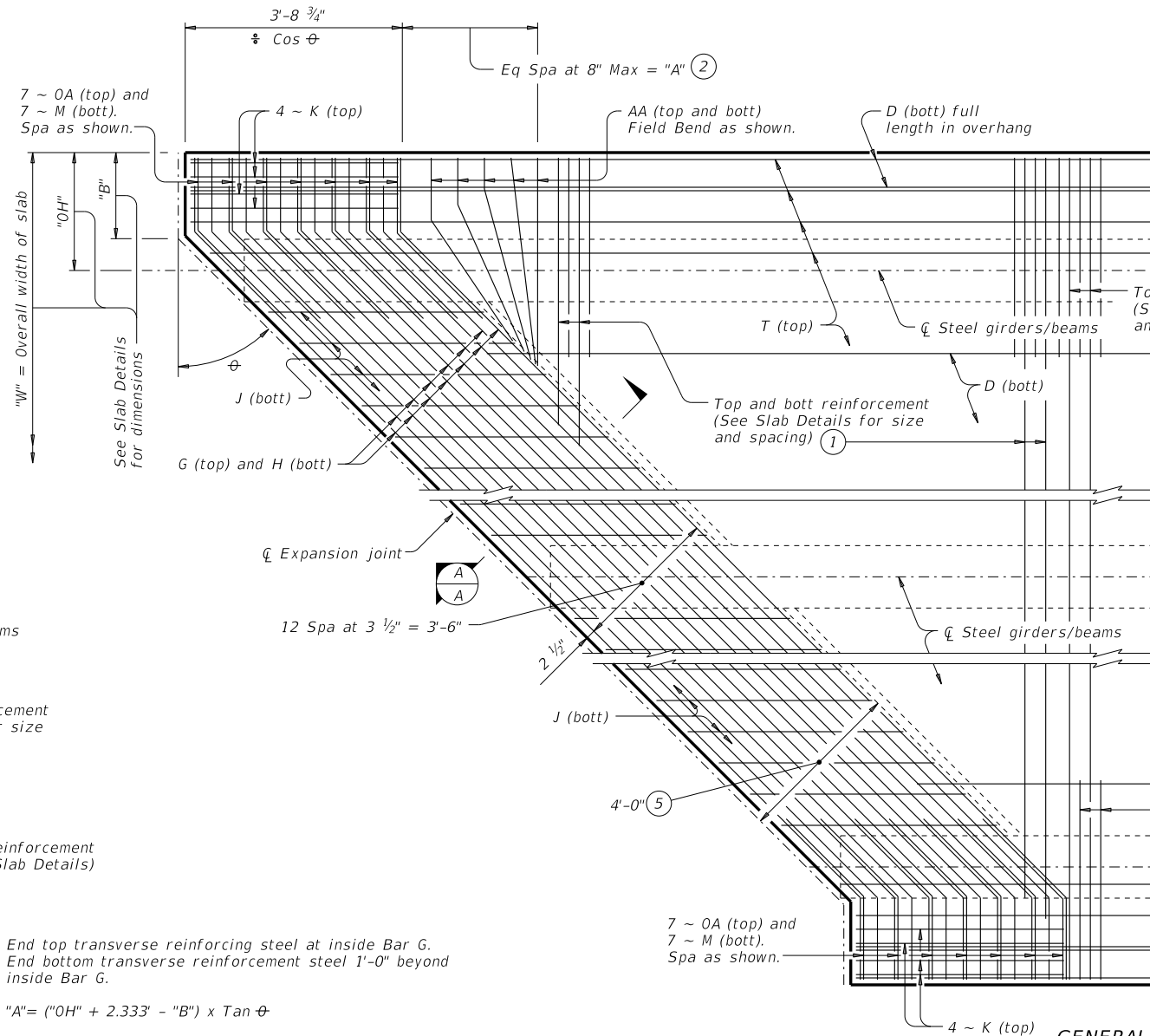


DISCLAIMER: The use of this standard is governed by the "Texas Engineering Practice Act". No warranty of any kind is made by TxDOT for any purpose whatsoever. TxDOT assumes no responsibility for the conversion of this standard to other formats or for incorrect results or damages resulting from its use.



PARTIAL PLAN FOR SLABS WITHOUT BREAKBACK

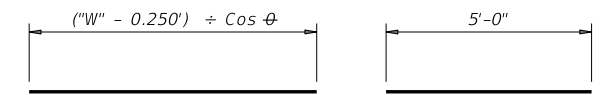
- ① End top transverse reinforcing steel at inside Bar G. End bottom transverse reinforcing steel 1'-0" beyond inside Bar G.
- ② $A = ("OH" + 2.333' - "B") \times \tan \theta$
- ③ Provide clear cover as indicated unless otherwise shown on Span Details.
- ④ Only required on slabs with breakbacks.
- ⑤ Thickened Slab End dimensioned perpendicular to Face of Bkwl, Centerline Interior Bent or Face of Inverted-T Stem.



PARTIAL PLAN FOR SLABS WITH BREAKBACK

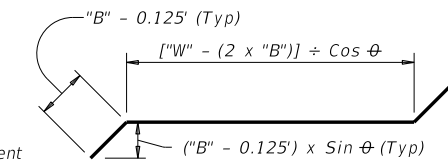
GENERAL NOTES:
 Designed according to AASHTO LRFD Bridge Design Specifications. These details are restricted to steel girder and beam spans. These details are to be used in conjunction with the span details and Prestressed Concrete Panels (PCP) standard details (if prestressed concrete panels are used).
 When Option 2 from Prestressed Concrete Panels (PCP) standard is used, provide Bars AA, G, K and OA in the slab.

MATERIAL NOTES:
 Provide Grade 60 reinforcing steel.
 If slab reinforcing steel is shown on the slab details to be epoxy coated, then Bars AA, G, K, H, J, M and OA must be epoxy coated.
 Provide bar laps, where required, as follows:
 Uncoated ~ #4 = 1'-7"
 Epoxy Coated ~ #4 = 2'-5"

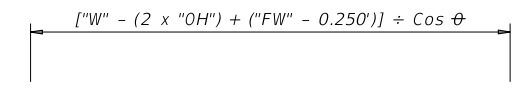


BARS G (#4)
 (For slabs without breakbacks)

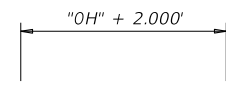
BARS K (#4) ④



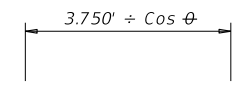
BARS G (#4)
 (For slabs with breakbacks)



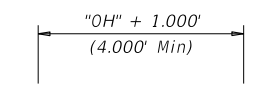
BARS H (#4)



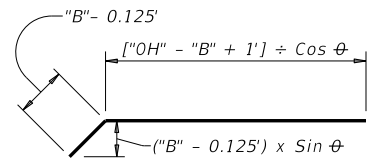
BARS AA (#5) ④



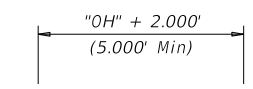
BARS J (#4)



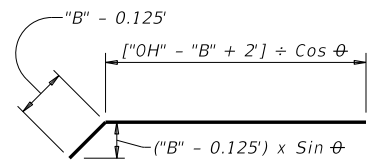
BARS M (#4)
 (For slabs without breakbacks)



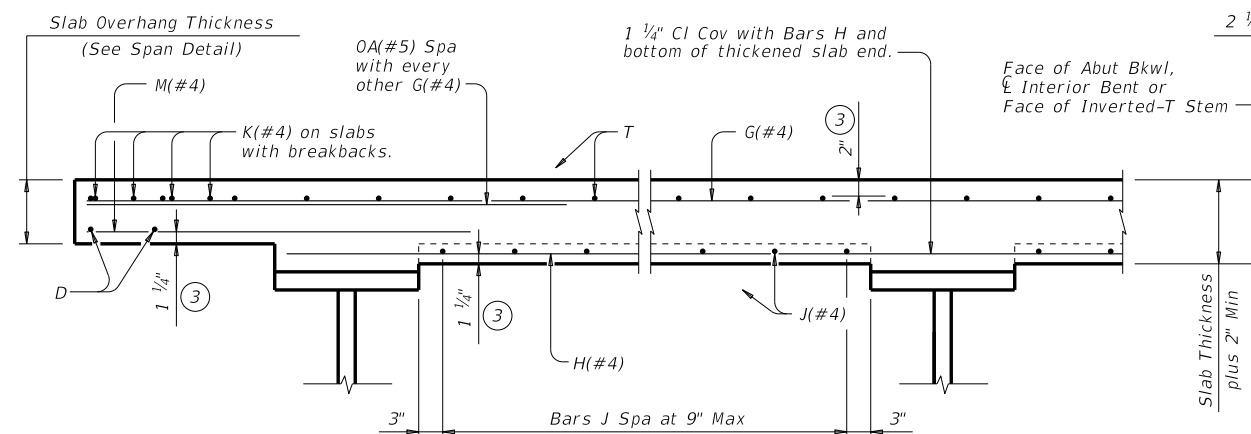
BARS M (#4)
 (For slabs with breakbacks)



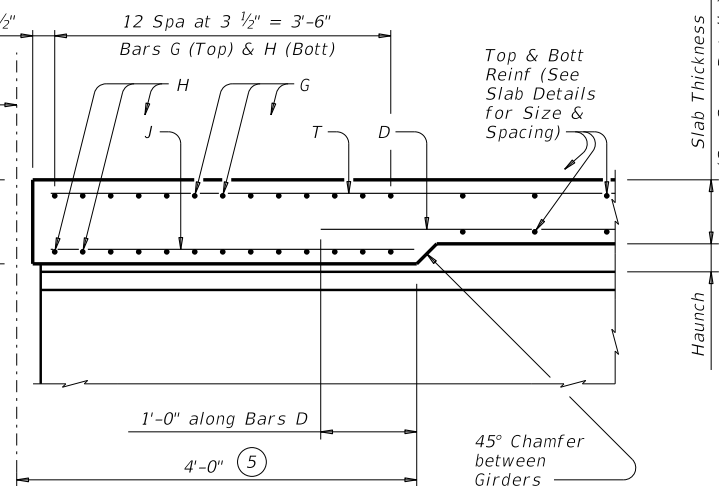
BARS OA (#5)
 (For slabs without breakbacks)



BARS OA (#5)
 (For slabs with breakbacks)



TYPICAL TRANSVERSE SECTION
 (Showing Steel Girders at Brg)



SECTION A-A
 (Showing with 2" and more of Haunch)

Cover dimensions are clear dimensions, unless noted otherwise. Reinforcing bar dimensions shown are out-to-out of bar.

HL93 LOADING



THICKENED SLAB END DETAILS STEEL GIRDER AND BEAMS

SGTS

FILE: MS-SGTS-19.dgn	DN: TxDOT	CK: TxDOT	DW: JTR	CK: TxDOT
©TxDOT April 2019	CONT	SECT	JOB	HIGHWAY
REVISIONS				
	DIST	COUNTY	SHEET NO.	

DATE: FILE: