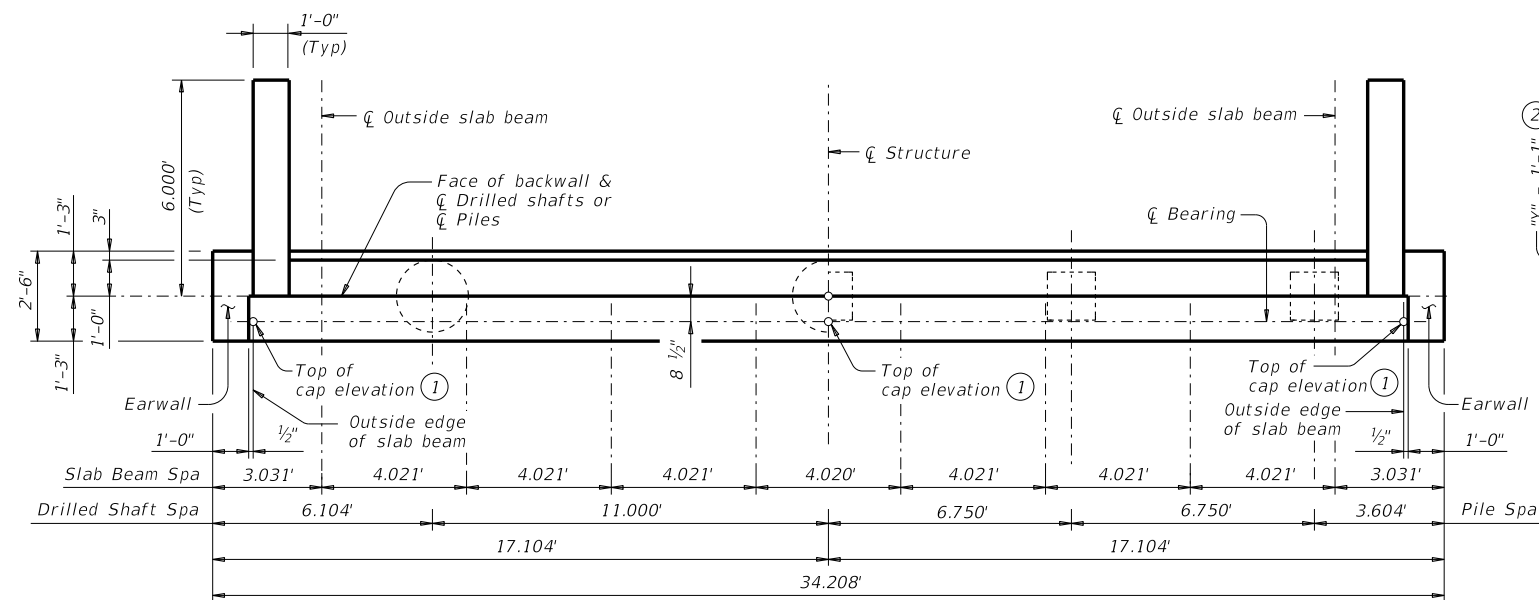


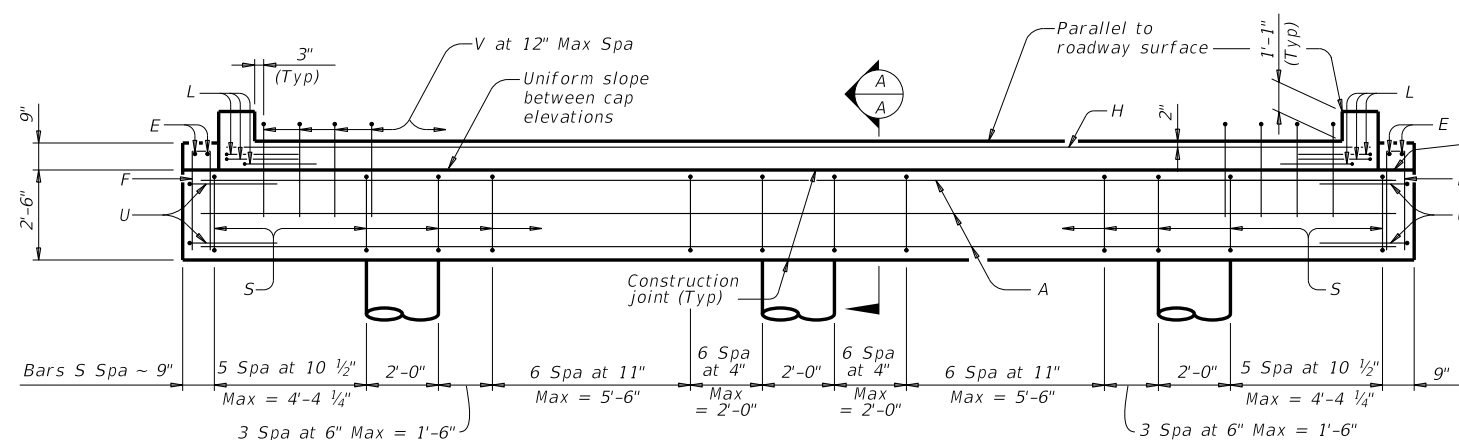
DISCLAIMER: The use of this standard is governed by the "Texas Engineering Practice Act". No warranty of any kind is made by TxDOT for any purpose whatsoever. TxDOT assumes no responsibility for the conversion of this standard to other formats or for incorrect results or damages resulting from its use.



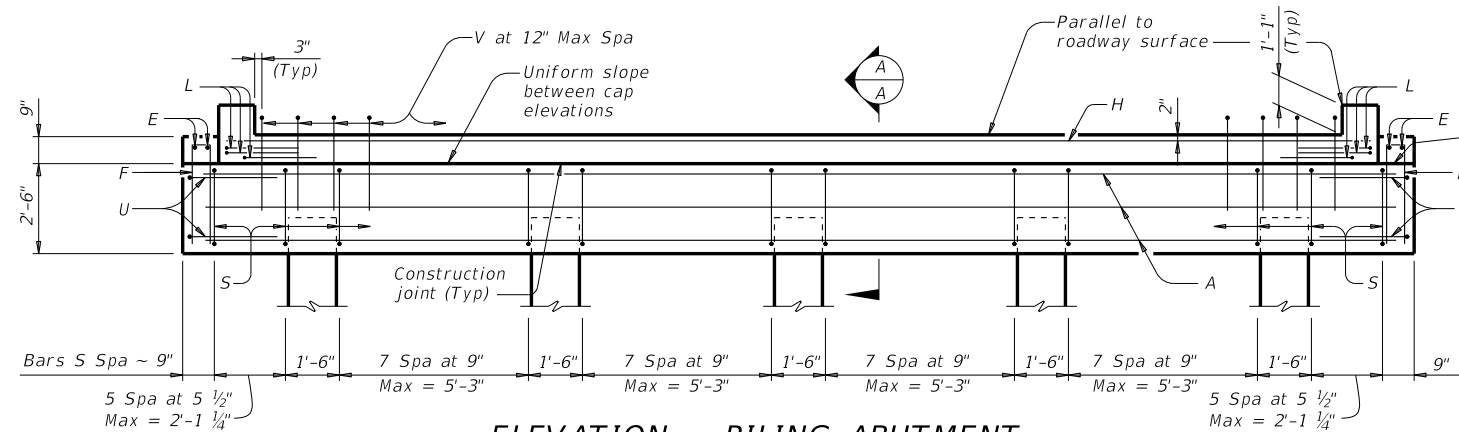
SHOWING DRILLED SHAFTS

SHOWING PILES

PLAN

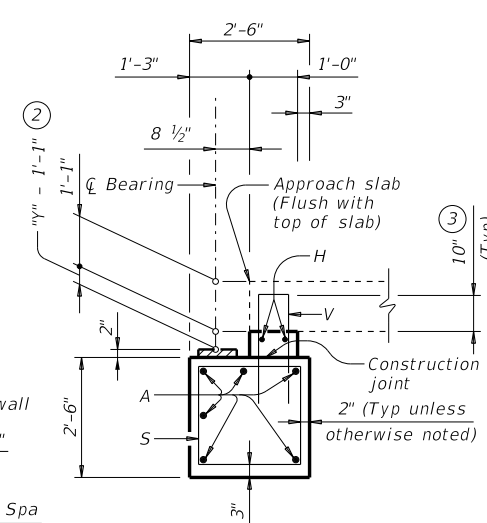
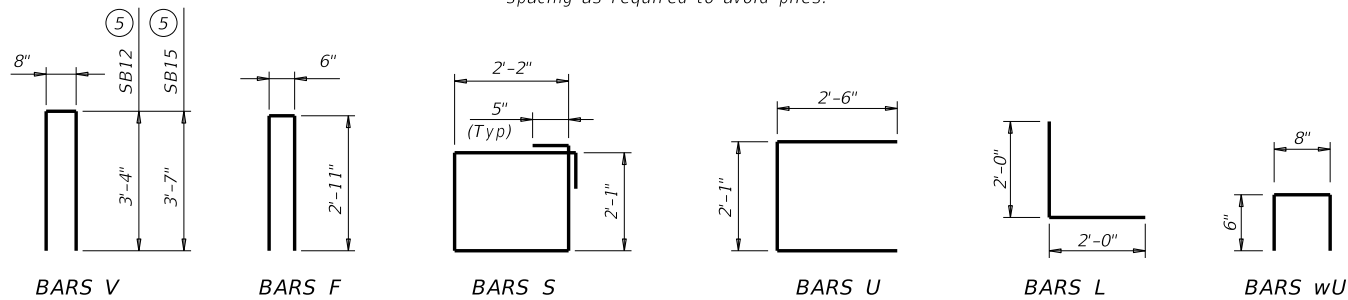


ELEVATION ~ DRILLED SHAFT ABUTMENT



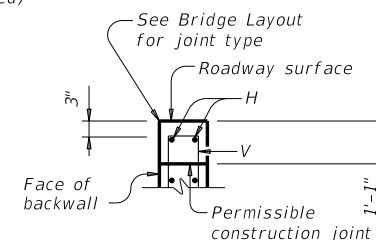
ELEVATION ~ PILING ABUTMENT

Note: For piles larger than 16", adjust Bars S spacing as required to avoid piles.



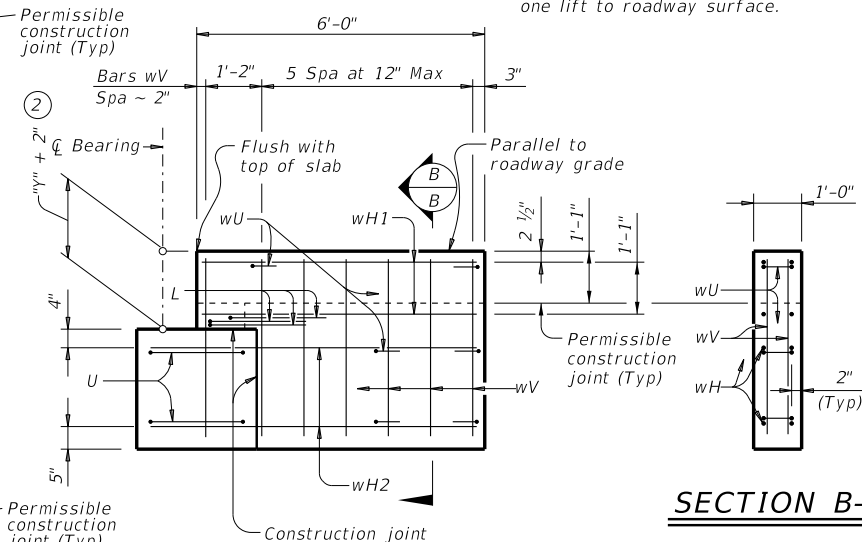
SECTION A-A (4)

(With Approach Slab)
Note: At Contractor's option, backwall may be cast with approach slab.



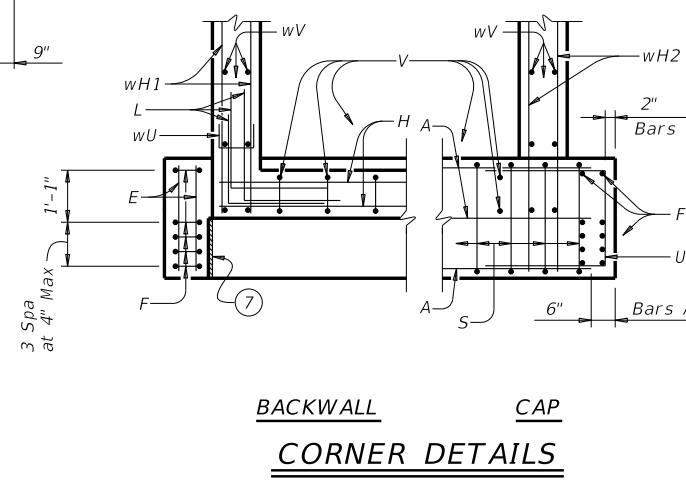
BACKWALL DETAIL (4)

(Without Approach Slab)
Note: At Contractor's option, backwall may be cast in one lift to roadway surface.



WINGWALL ELEVATION

(Earwall not shown for clarity.)



BACKWALL CAP CORNER DETAILS

FOUNDATION LOADS

Span Length	Drilled Shaft Loads		Vertical Pile Loads	
	4SB12	4SB15	4SB12	4SB15
Ft	Tons/DS	Tons/DS	Tons/Pile	Tons/Pile
25	43	46	26	28
30	48	51	29	31
35	53	57	32	34
40	57	62	34	37
45		67		40
50		71		43

TABLE OF ESTIMATED QUANTITIES (6)

Bar	No.	Size	Length (5)		Weight (5)		
			4SB12	4SB15	4SB12	4SB15	
A	6	#11	33'-3"	33'-3"	1,060	1,060	
E	4	#4	2'-2"	2'-2"	6	6	
F	10	#4	6'-4"	6'-4"	43	43	
H	2	#5	31'-10"	31'-10"	66	66	
L	6	#6	4'-0"	4'-0"	36	36	
S	44	#4	9'-4"	9'-4"	275	275	
U	4	#6	7'-1"	7'-1"	43	43	
V	31	#5	7'-4"	7'-10"	237	253	
wH1	8	#6	5'-8"	5'-8"	68	68	
wH2	8	#6	6'-11"	6'-11"	83	83	
wU	12	#4	1'-8"	1'-8"	14	14	
wV	28	#5	3'-10"	4'-1"	112	119	
Reinforcing Steel					Lb	2,043	2,066
CI "C" Conc (Abut)					CY	10.4	10.8

- Top of cap elevations are based on section depths shown on Span Details.
- See Span Details for "Y".
- Increase as required to maintain 3" from finished grade.
- See Bridge Layout to determine if approach slab is present.
- See Bridge Layout for beam type used in the superstructure.
- Quantities shown are for one abutment only (with approach slab). Without approach slab, add 1.2 CY Class "C" concrete and 66 Lb reinforcing steel for 2 additional Bars H.
- 1/2" preformed bituminous fiber material between slab beam and earwall. Bond to earwall with an approved adhesive. Cast inside face of earwall perpendicular to cap. (Typ)

GENERAL NOTES:

Designed according to AASHTO LRFD Bridge Design Specifications.
Designed for a normal embankment header slope of 3:1 and a maximum span length of 50 feet.
See Bridge Layout for header slope and foundation type, size, and length.
See Common Foundation Details (FD) standard sheet for all foundation details and notes.
See Concrete Riprap (CRR) standard sheet or Stone Riprap (SRR) standard sheet for riprap attachment details, if applicable.
See applicable rail details for rail anchorage in wingwalls.
These abutment details may be used with standard SPSB-30 only.

Cover dimensions are clear dimensions, unless noted otherwise.
Reinforcing bar dimensions shown are out-to-out of bar.

MATERIAL NOTES:

Provide Class C concrete (f_c = 3,600 psi).
Provide Class C (HPC) concrete if shown elsewhere in the plans.
Provide Grade 60 reinforcing steel.

HL93 LOADING

Texas Department of Transportation
ABUTMENTS PRESTR CONC SLAB BEAM 30' ROADWAY
 APSB-30
 FILE: PSB-APSB3000-17.dgn ON: TxDOT CK: TxDOT DW: TxDOT CK: TxDOT
 ©TxDOT January 2017 CONT SECT JOB HIGHWAY
 REVISIONS
 DIST COUNTY SHEET NO.

DATE: FILE: