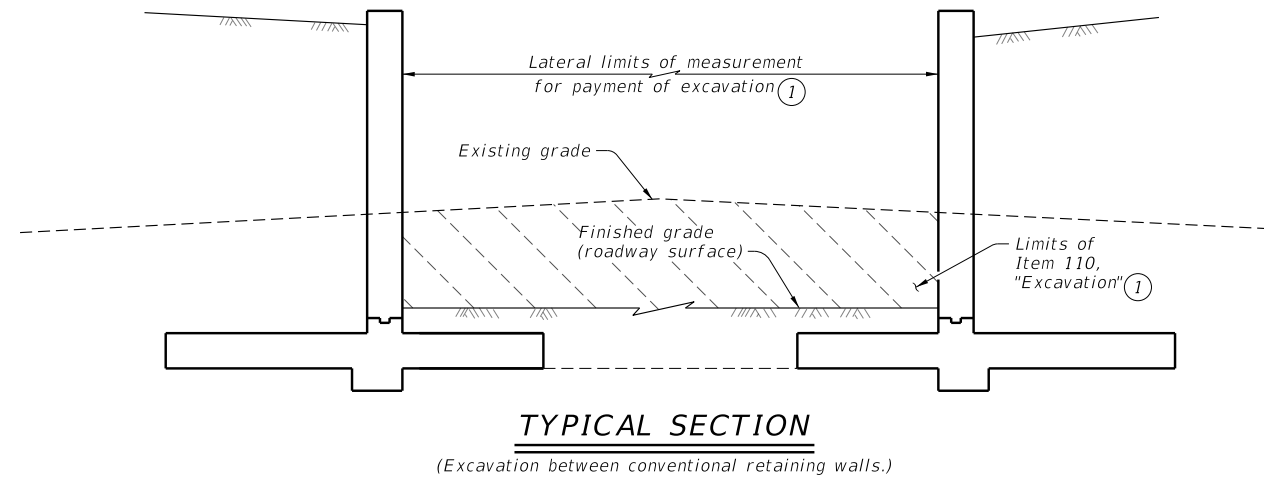
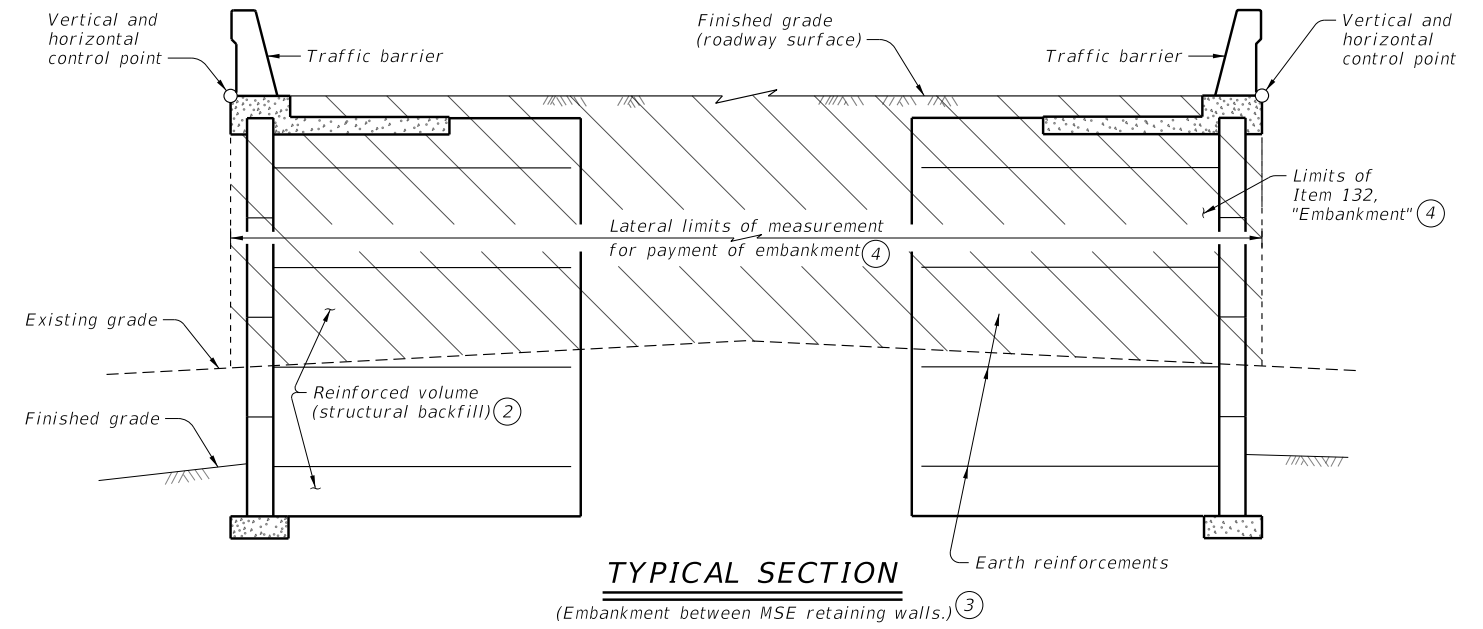
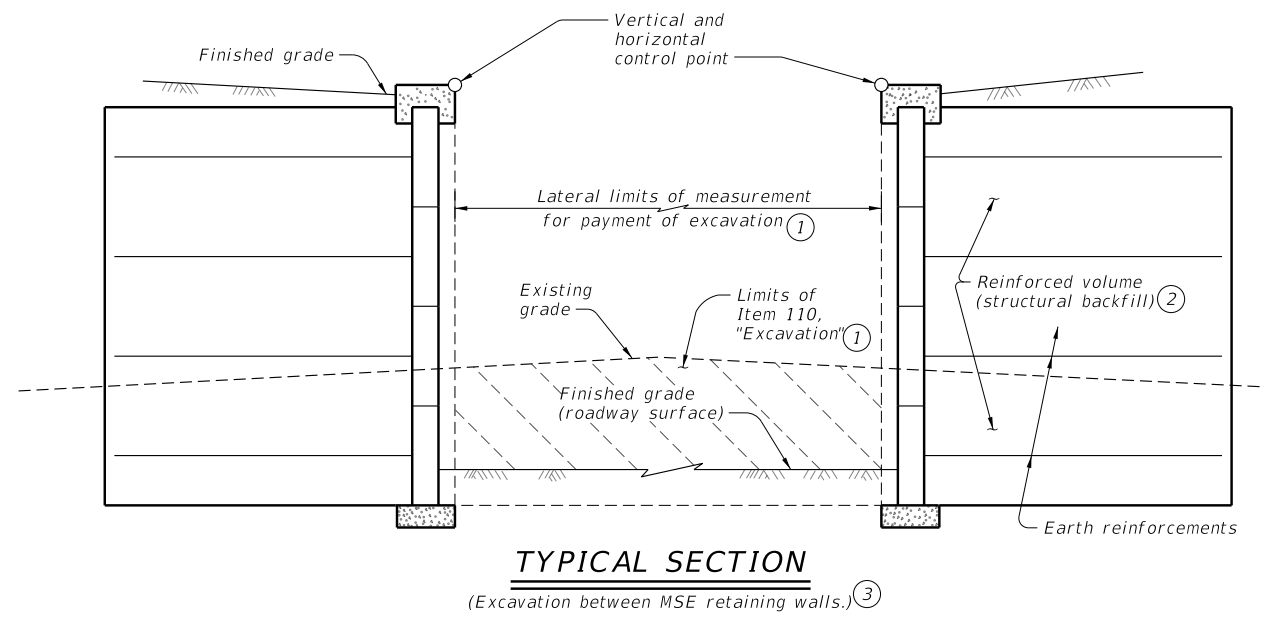
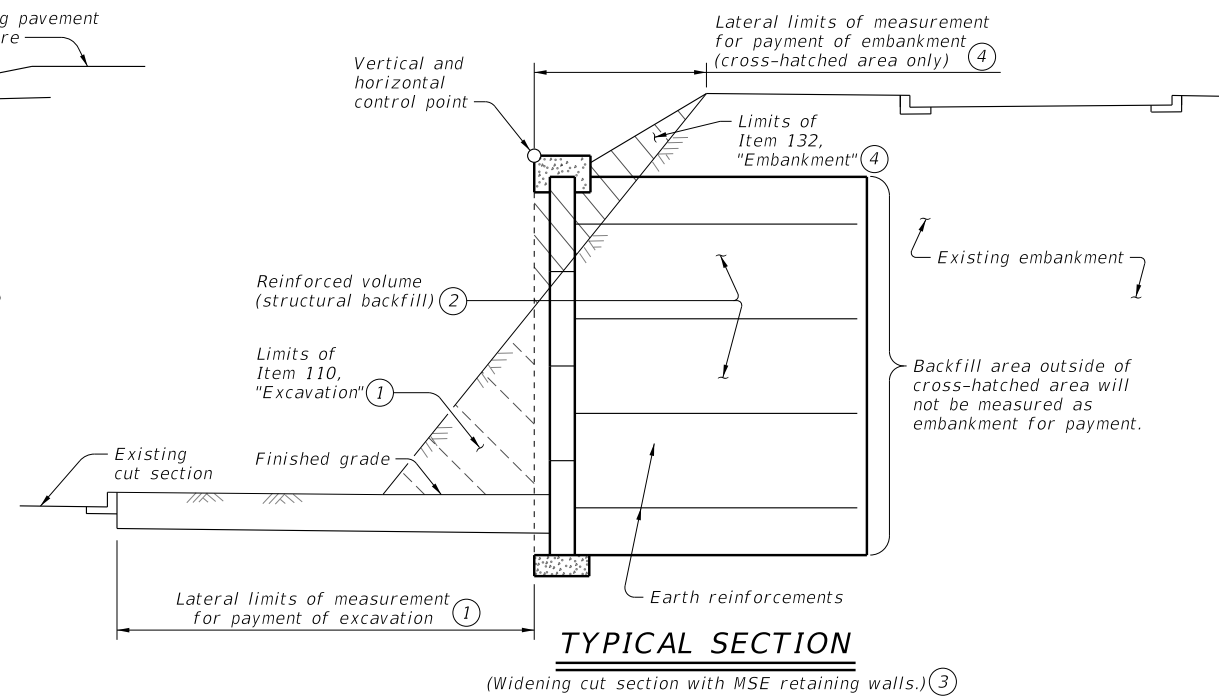
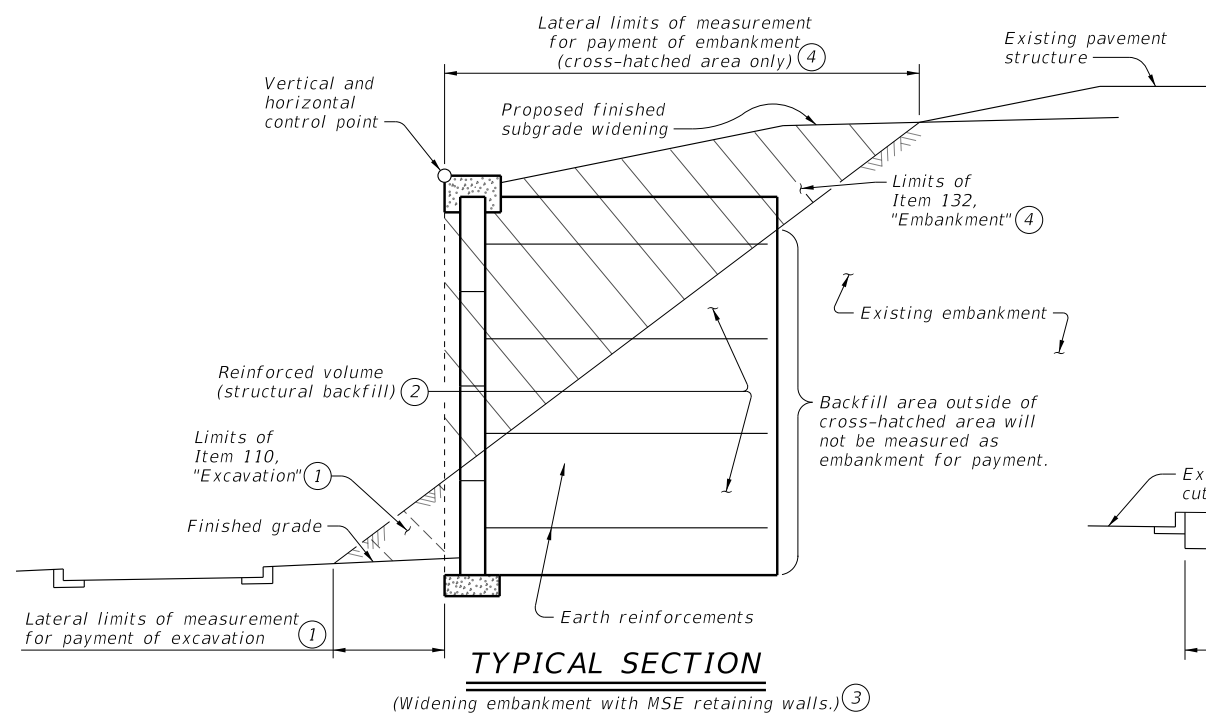
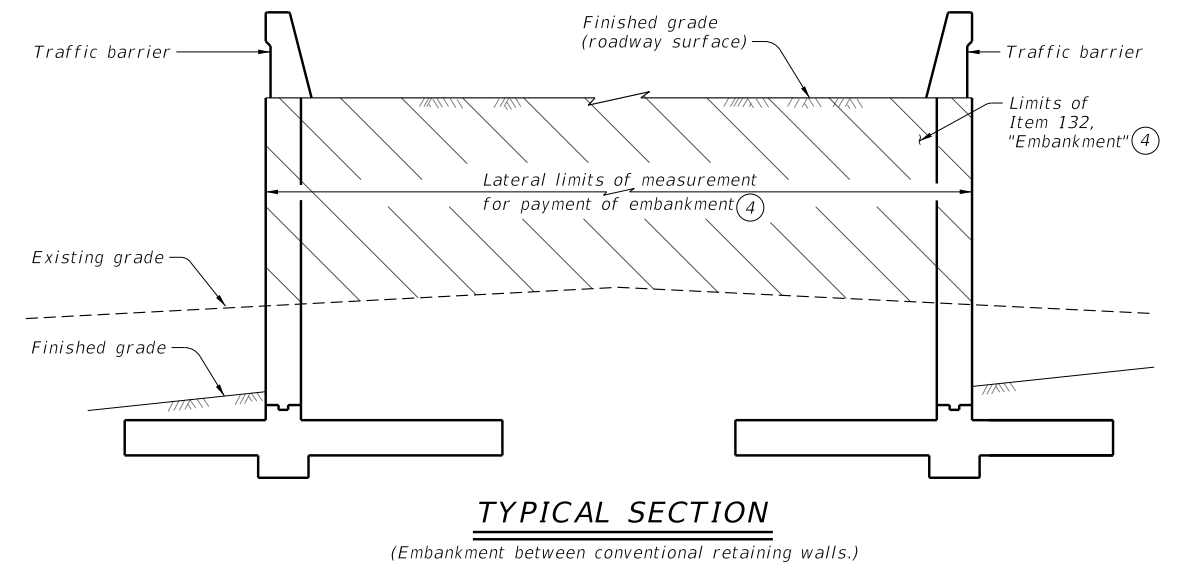


DISCLAIMER: This standard is governed by the "Texas Engineering Practice Act". No warranty of any kind is made by TxDOT for any purpose whatsoever. TxDOT assumes no responsibility for the conversion of this standard to other formats or for incorrect results or damages resulting from its use.



- ① Only the excavation above the proposed subgrade elevation will be measured for payment.
- ② Meeting requirements for Item 423, "Retaining Walls."
- ③ Earthwork measurement with other retaining wall types will be made to the outside finished face in the same manner.
- ④ Only the embankment above the existing ground line will be measured for payment.



		Bridge Division Standard	
<h2>EARTHWORK MEASUREMENT AT RETAINING WALL</h2>			
<h3>RW(EM)</h3>			
FILE: RW-EM-22.dgn	DN: TxDOT	CK: TxDOT	DW: JER
©TxDOT June 2022	CONT	SECT	JOB
REVISIONS			HIGHWAY
	DIST	COUNTY	SHEET NO.

DATE: FILE: