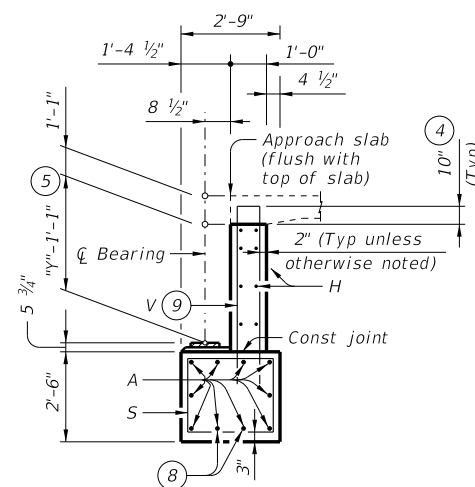
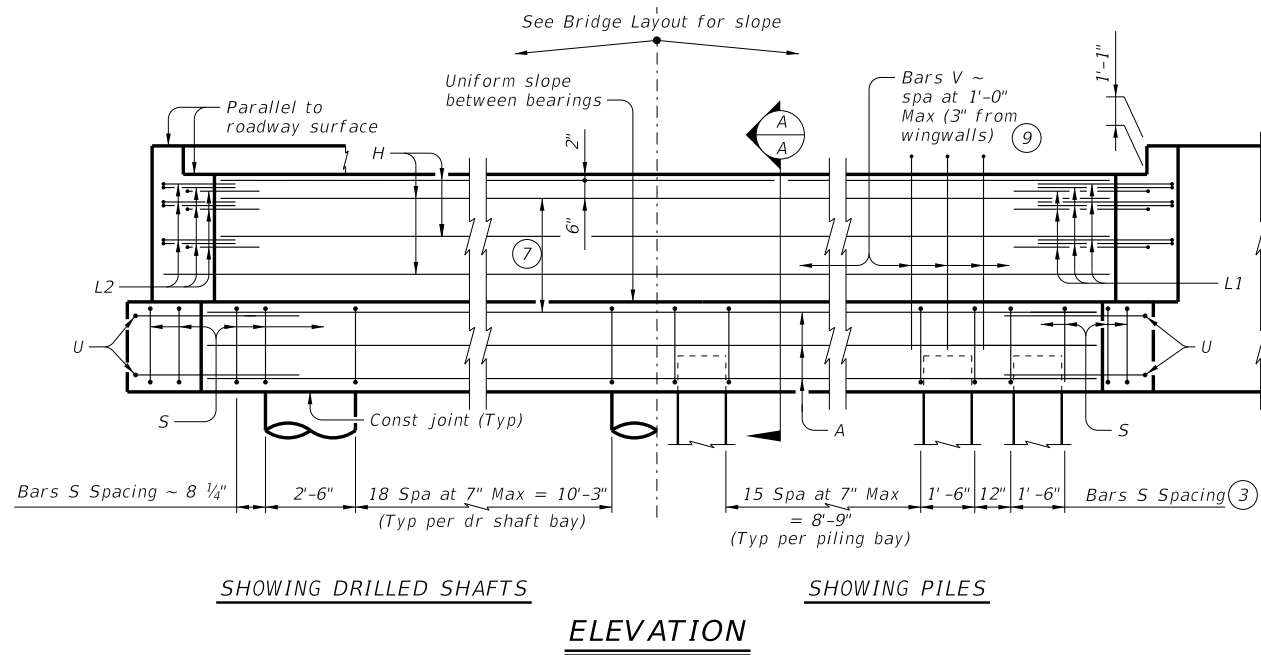
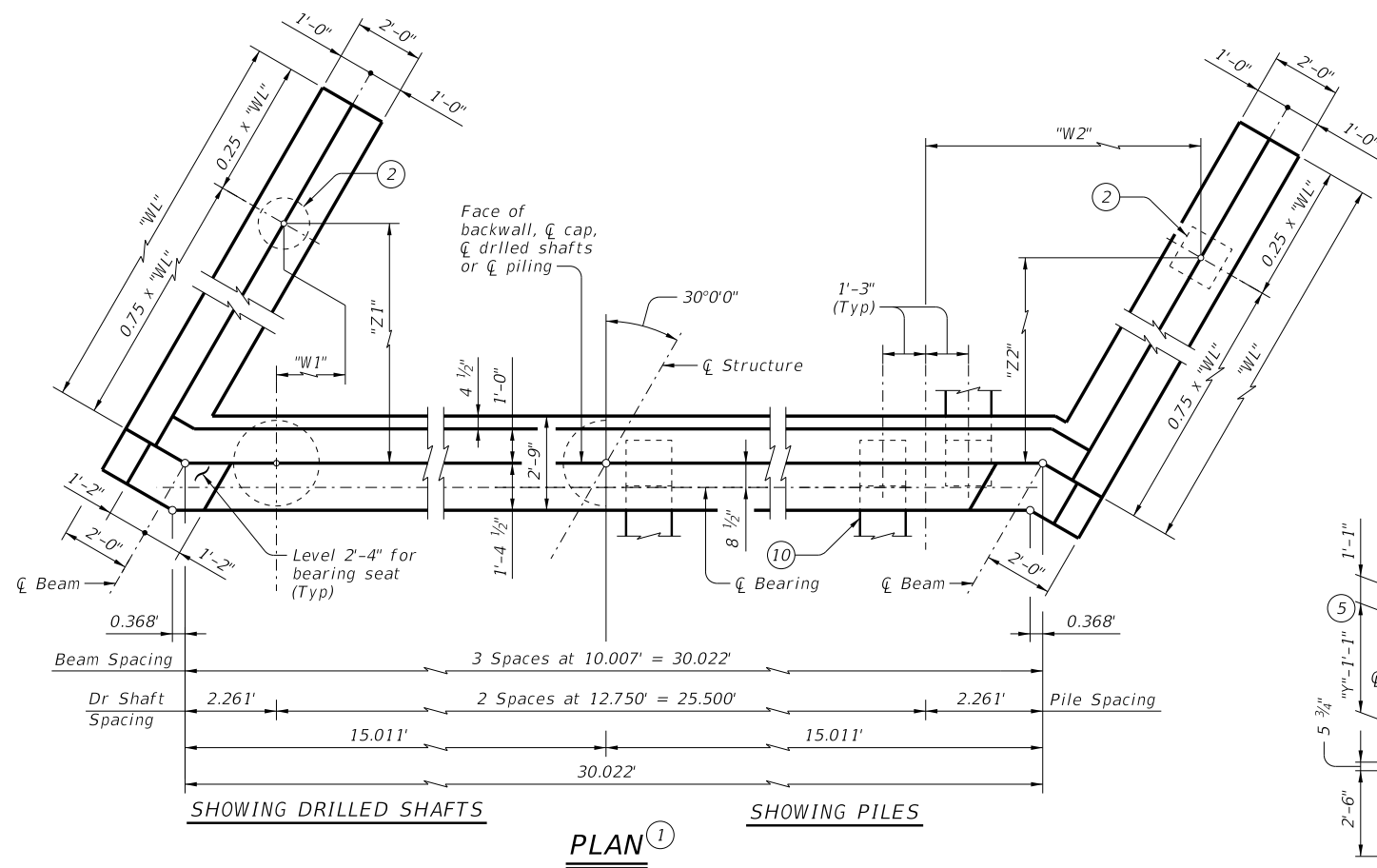
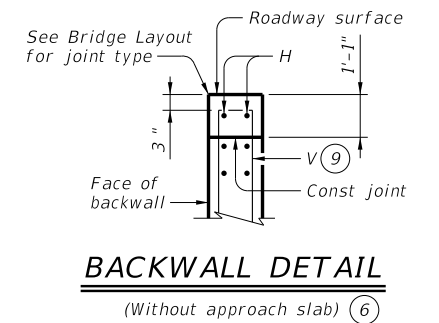


DISCLAIMER: This standard is governed by the "Texas Engineering Practice Act". No warranty of any kind is made by TxDOT for any purpose whatsoever. TxDOT assumes no responsibility for the conversion of this standard to other formats or for incorrect results or damages resulting from its use.



Header Slope	Beam Type	Wingwall Type	Wingwall length "WL"	"W1"	"Z1"	"W2"	"Z2"
2:1	W18	Cantilevered	9.000'	Not Applicable			
	W21	Cantilevered	9.000'				
	W24	Cantilevered	10.000'				
	W27	Cantilevered	10.000'				
	W30	Cantilevered	11.000'				
	W33	Cantilevered	11.000'				
	W36	Cantilevered	12.000'				
3:1	W40	Founded	13.000'	1.748'	8.944'	8.002'	7.944'
	W18	Cantilevered	12.000'	Not Applicable			
	W21	Founded	13.000'	1.748'	8.944'	8.002'	7.944'
	W24	Founded	14.000'	2.123'	9.593'	8.377'	8.593'
	W27	Founded	15.000'	2.498'	10.243'	8.752'	9.243'
	W30	Founded	16.000'	2.873'	10.892'	9.127'	9.892'
	W33	Founded	16.000'	2.873'	10.892'	9.127'	9.892'
	W36	Founded	17.000'	3.248'	11.542'	9.502'	10.542'
W40	Founded	18.000'	3.623'	12.191'	9.877'	11.191'	



MATERIAL NOTES:
 Provide Class C Concrete, $f'_c = 3,600$ psi.
 Provide Class C (HPC) Concrete if shown elsewhere in the plans.
 Provide Grade 60 reinforcing steel.

GENERAL NOTES:
 Designed according to AASHTO LRFD Bridge Design Specifications. Details are drawn showing right forward skew. See Bridge Layout for actual skew direction.
 See Bridge Layout for beam type, header slope, and foundation type, size, and length.
 See Common Foundation Details (FD) standard sheet for all foundation details and notes.
 See Concrete Riprap (CRR) standard sheet or Stone Riprap (SRR) standard sheet for riprap attachment details, if applicable.
 See Standard Erection and Bracing Requirements (SBBR) standard sheet for location and size of anchor bolt required for erection bracing.
 See applicable rail details for rail anchorage in wingwalls. These abutment details may be used with standard SSB-28-30 only.

Cover dimensions are clear dimensions, unless noted otherwise. Reinforcing bar dimensions shown are out-to-out of bar.

SECTION A-A
 (With approach slab) 6

- See Table A for variable dimensions based on header slope and beam type.
- See Table A to determine if wingwall foundations are required.
- For piling larger than 16", adjust Bars S spacing as required to avoid piling.
- Increase as required to maintain 3" from finished grade.
- See Steel Beam Standard Design (SBSD-28) standard for "Y" value.
- See Bridge Layout to determine if approach slab is present.
- Use 2 spaces at 12" Max for W18 through W24 beams and 3 spaces at 12" Max for W27 beams and larger.
- With pile foundations, replace Bars A located at bottom centerline of cap with 2 ~ #11 x 8'-9" (per bay) placed between piling groups. Deduct 133 lbs total from reinforcing steel total.
- Field bend as needed to clear piles.
- See Detail "A" on FD standard.

HL93 LOADING SHEET 1 OF 3

		Bridge Division Standard	
ABUTMENTS STEEL BEAM SPANS 28' ROADWAY 30° SKEW			
ASB-28-30			
FILE: SB-ASB2830-21.dgn	DN: TxDOT	CK: TxDOT	OW: TxDOT
©TxDOT November 2021	CONT	SECT	JOB
REVISIONS		HIGHWAY	
DIST	COUNTY	SHEET NO.	

DATE: FILE:

3:1 HEADER SLOPE

(12)

No.	Size	Length	Weight
8			

(12)

No.	Size	Length	Weight
8			

(12)

No.	Size	Length	Weight
8			

TABLE OF ESTIMATED QUANTITIES (12) (W18 BEAMS)

Bar	No.	Size	Length	Weight
A (8)	10	#11	30' - 0"	1,594
H	6	#6	30' - 0"	270
L1	9	#6	5' - 10"	79
L2	9	#6	5' - 9"	78
S	46	#5	10' - 0"	480
U	4	#6	10' - 9"	65
V	34	#5	10' - 1"	358
wH1	14	#6	13' - 1"	275
wH2	16	#6	11' - 8"	280
wS	26	#4	7' - 10"	136
wV	26	#5	10' - 1"	273
Reinforcing Steel			Lb	3,888
			CY	17.6

TABLE OF ESTIMATED QUANTITIES (12) (W21 BEAMS)

Bar	No.	Size	Length	Weight
A (8)	10	#11	30' - 0"	1,594
H	6	#6	30' - 0"	270
L1	9	#6	5' - 10"	79
L2	9	#6	5' - 9"	78
S	46	#5	10' - 0"	480
U	4	#6	10' - 9"	65
V	34	#5	10' - 6"	372
wH1	14	#6	14' - 1"	296
wH2	16	#6	12' - 8"	304
wS	28	#4	7' - 10"	147
wV	28	#5	10' - 6"	307
Reinforcing Steel			Lb	3,992
			CY	18.7

TABLE OF ESTIMATED QUANTITIES (12) (W24 BEAMS)

Bar	No.	Size	Length	Weight
A (8)	10	#11	30' - 0"	1,594
H	6	#6	30' - 0"	270
L1	9	#6	5' - 10"	79
L2	9	#6	5' - 9"	78
S	46	#5	10' - 0"	480
U	4	#6	10' - 9"	65
V	34	#5	11' - 1"	393
wH1	14	#6	15' - 1"	317
wH2	16	#6	13' - 8"	328
wS	30	#4	7' - 10"	157
wV	30	#5	11' - 1"	347
Reinforcing Steel			Lb	4,108
			CY	19.9

(12)

No.	Size	Length	Weight
8			

(12)

No.	Size	Length	Weight
8			

(12)

No.	Size	Length	Weight
8			

TABLE OF ESTIMATED QUANTITIES (12) (W27 BEAMS)

Bar	No.	Size	Length	Weight
A (8)	10	#11	30' - 0"	1,594
H	8	#6	30' - 0"	360
L1	9	#6	5' - 10"	79
L2	9	#6	5' - 9"	7
Reinforcing Steel			Lb	
			CY	

TABLE OF ESTIMATED QUANTITIES (12) (W30 BEAMS)

Bar	No.	Size	Length	Weight
A (8)	10	#11	30' - 0"	1,594
H	8	#6	30' - 0"	360
L1	9	#6	5' - 10"	79
Reinforcing Steel			Lb	
			CY	

TABLE OF ESTIMATED QUANTITIES (12) (W33 BEAMS)

Bar	No.	Size	Length	Weight
A (8)	10	#11	30' - 0"	1,594
H	8	#6	30' - 0"	360
L1	9	#6	5' - 10"	79
Reinforcing Steel			Lb	
			CY	

(12)

No.	Size	Length	Weight
8			

(12)

No.	Size	Length	Weight
8			

(12)

No.	Size	Length	Weight
8			

(12)

No.	Size	Length	Weight
8			

(8)

(12)

HL93 LOADING SHEET 3 OF 3



FILE:	DN: TxDOT	CK: TxDOT	DW: TxDOT	CK: TxDOT
©TxDOT	CONT	SECT	JOB	HIGHWAY
REVISIONS				
	DIST	COUNTY	SHEET NO.	