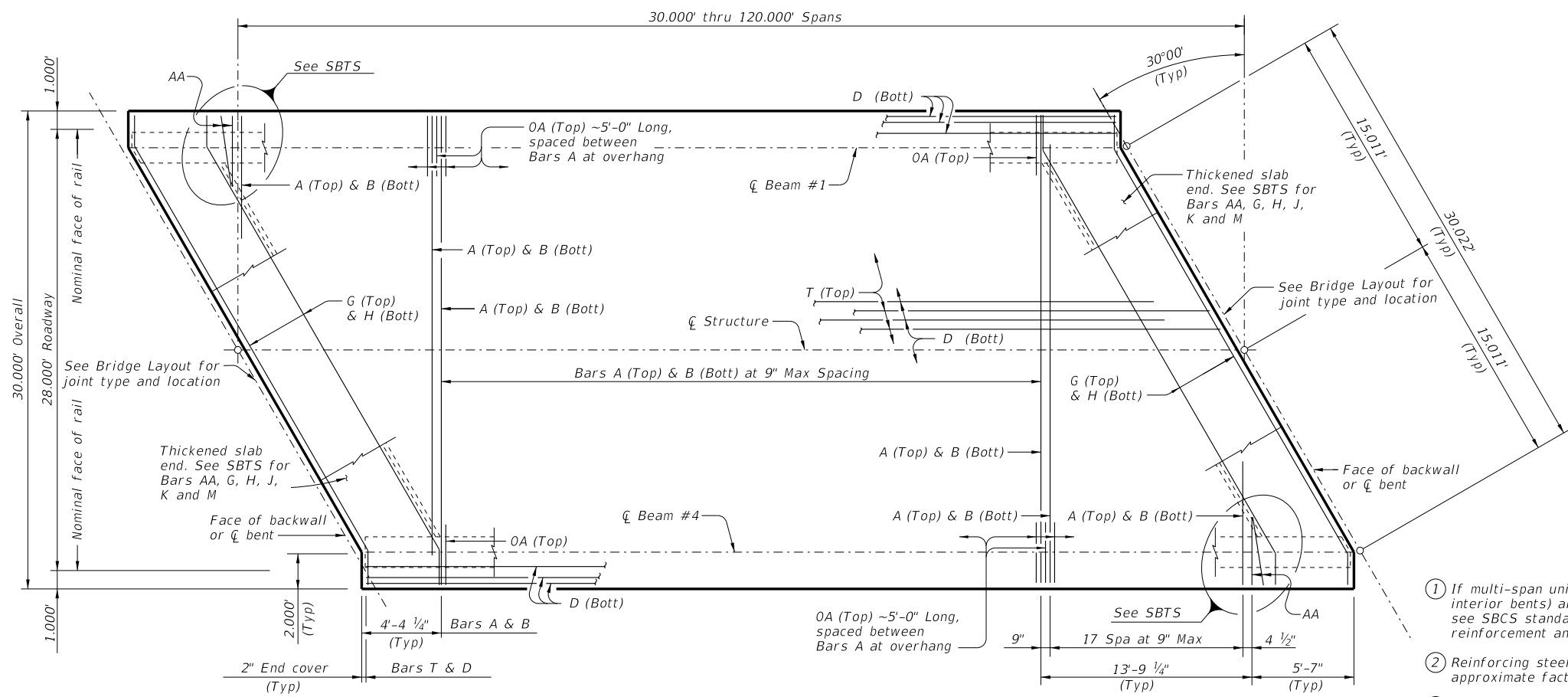
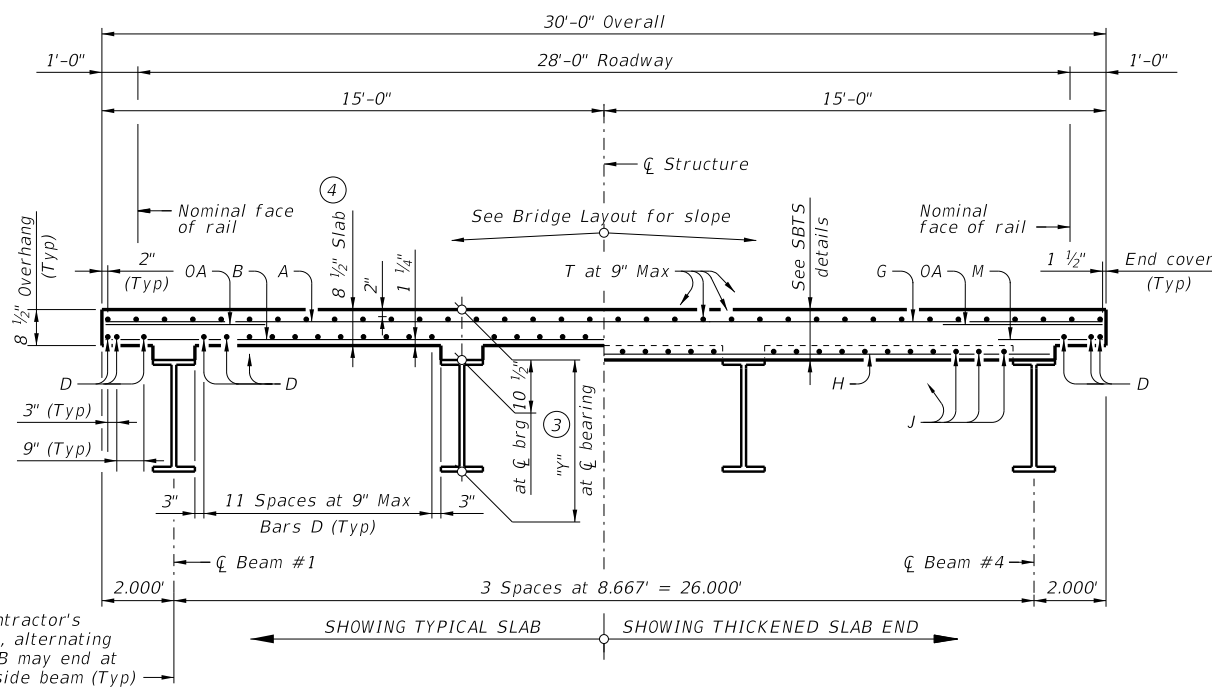


DISCLAIMER: This standard is governed by the "Texas Engineering Practice Act". No warranty of any kind is made by TxDOT for any purpose whatsoever. The use of this standard for the conversion of this standard to other formats or for incorrect results or damages resulting from its use. TxDOT assumes no responsibility for the conversion of this standard to other formats or for incorrect results or damages resulting from its use.

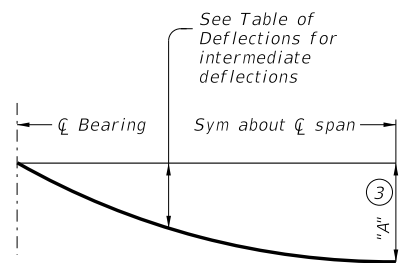
DATE:
FILE:



PLAN 1



TYPICAL TRANSVERSE SECTION



DEAD LOAD DEFLECTION DIAGRAM

Location	Deflection
CL Brg	0.0
0.1 Span	0.31 x "A"
0.2 Span	0.59 x "A"
0.3 Span	0.81 x "A"
0.4 Span	0.95 x "A"
CL Span	"A"

Bar	Size
A	#4
AA	#5
B	#4
D	#4
G	#4
H	#4
J	#4
K	#4
M	#4
OA	#5
T	#4

SPAN LENGTH	ESTIMATED QUANTITIES	
	REINF CONCRETE SLAB	TOTAL REINF STEEL ②
Ft	SF	Lb
30	900	5,850
35	1,050	6,825
40	1,200	7,800
45	1,350	8,775
50	1,500	9,750
55	1,650	10,725
60	1,800	11,700
65	1,950	12,675
70	2,100	13,650
75	2,250	14,625
80	2,400	15,600
85	2,550	16,575
90	2,700	17,550
95	2,850	18,525
100	3,000	19,500
105	3,150	20,475
110	3,300	21,450
115	3,450	22,425
120	3,600	23,400

- ① If multi-span units (with slab continuous over interior bents) are indicated on the Bridge Layout, see SBCS standard for adjustment to slab reinforcement and quantities.
- ② Reinforcing steel weight is calculated using an approximate factor of 4.4 Lbs/SF.
- ③ See SBS-28 standard for "A" and "Y" values. Increase "Y" value as necessary for sag roadway vertical curves.
- ④ Tolerance on slab thickness is +1", -0" regardless of forming system used or any other tolerances shown elsewhere.
- ⑤ See SBS-28 standard for Structural Steel (Rolled Beam) estimated quantities.

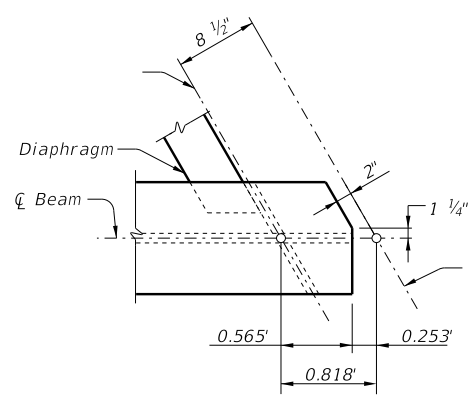
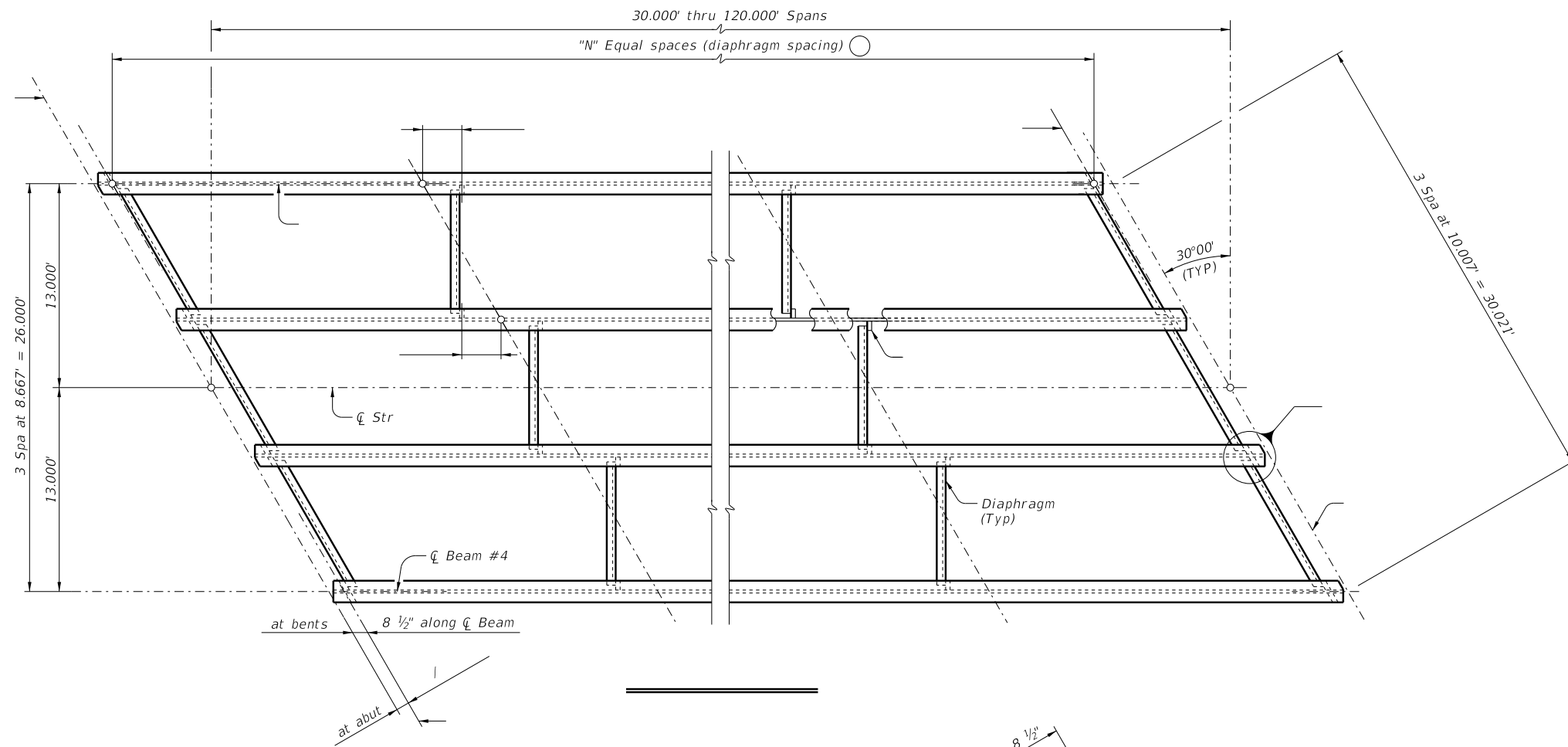
MATERIAL NOTES:
 Provide Class S concrete (f'c = 4,000 psi).
 Provide Class S (HPC) concrete if shown elsewhere in the plans.
 Provide Grade 60 reinforcing steel.
 Provide bar laps, where required, as follows:
 Uncoated~ #4 = 1'-7"
 Epoxy coated~ #4 = 2'-5"
 Deformed Welded Wire Reinforcement (WWR) (ASTM A1064) of equal size and spacing may be substituted for Bars A, AA, B, D, OA, or T unless noted otherwise.

GENERAL NOTES:
 Designed according to AASHTO LRFD Bridge Design Specifications.
 This standard is drawn showing right forward skew. See Bridge Layout for actual skew direction.
 Multi-span units, with slab continuous over interior bents, may be formed with the details shown on this sheet and Steel Beam Continuous Slab Details (SBCS) standard sheet.
 See Steel Beam Thickened Slab End (SBTS) standard sheet for thickened slab end details and quantity adjustments.
 See Prestressed Concrete Panels (PCP) standard sheet or Permanent Metal Deck Forms (PMDF) standard sheet for details and quantity adjustments if either of these options are used.
 See Steel Beam Miscellaneous Slab Details (SBMS) standard sheet for miscellaneous details.
 See applicable rail details for rail anchorage in slab.
 This standard does not support the use of transition bents.

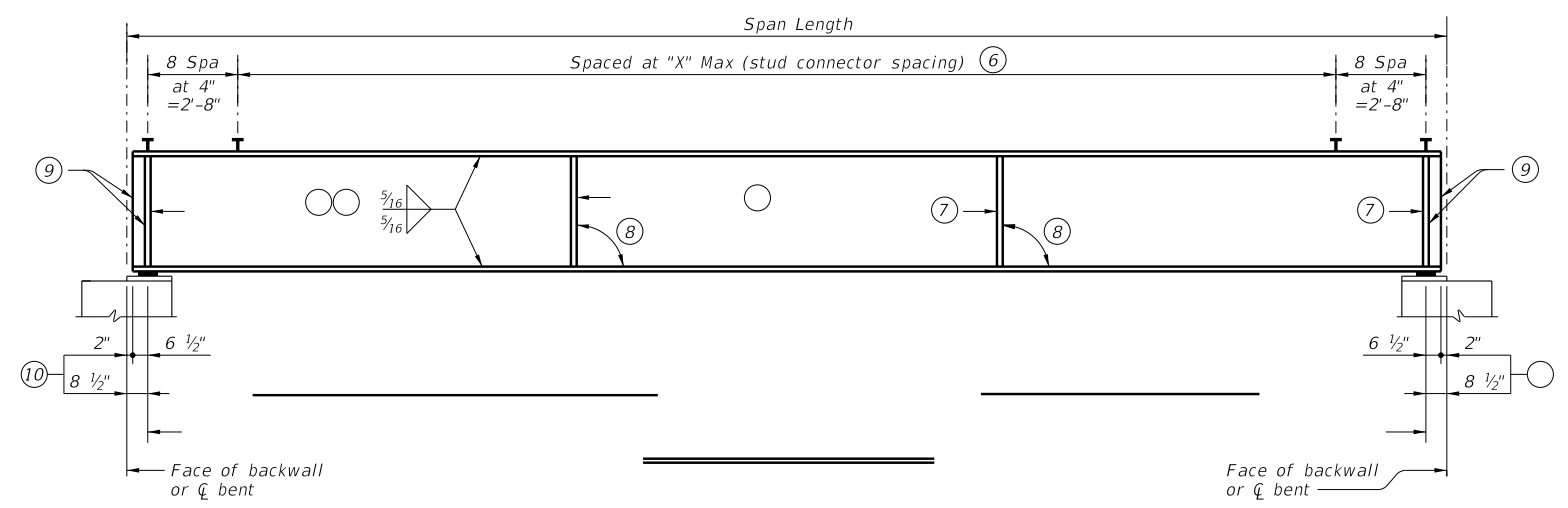
Cover dimensions are clear dimensions, unless noted otherwise.

		Bridge Division Standard	
STEEL BEAM SPANS 28' ROADWAY 30° SKEW			
SSB-28-30			
FILE: SB-SSB2830-21.dgn	DN: TxDOT	CK: TxDOT	DW: TxDOT
©TxDOT November 2021	CONT	SECT	JOB
REVISIONS		HIGHWAY	
DIST	COUNTY	SHEET NO.	

FABRICATION NOTES



	/
	/
	/
	/



-
-
-
-
-
-



FILE:	DN: TxDOT	CK: TxDOT	DW: TxDOT	CK: TxDOT
CONT	SECT	JOB	HIGHWAY	
REVISIONS				
DIST	COUNTY			SHEET NO.

DATE:
FILE: