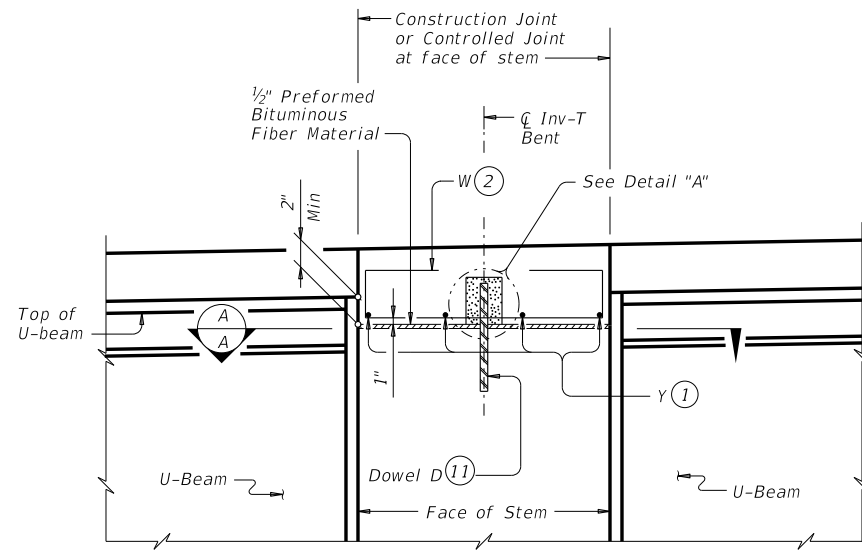
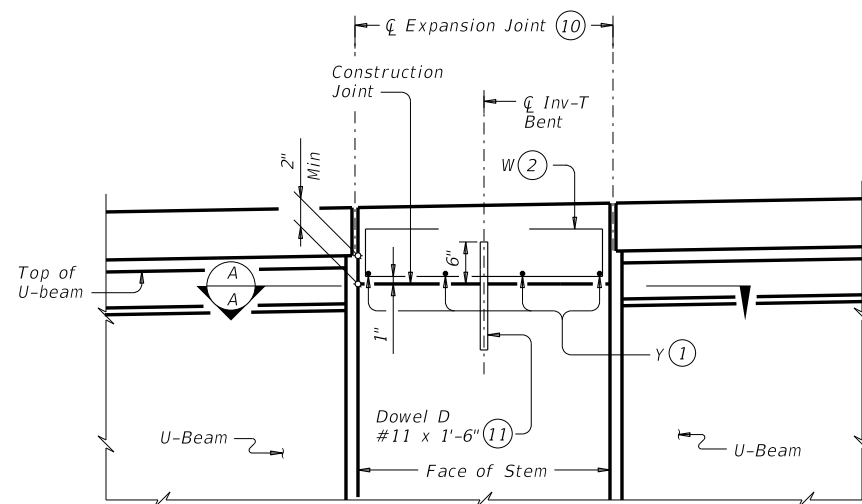


DISCLAIMER: The use of this standard is governed by the "Texas Engineering Practice Act." No warranty of any kind is made by TxDOT for any purpose whatsoever. TxDOT assumes no responsibility for the conversion of this standard to other formats or for incorrect results or damages resulting from its use.



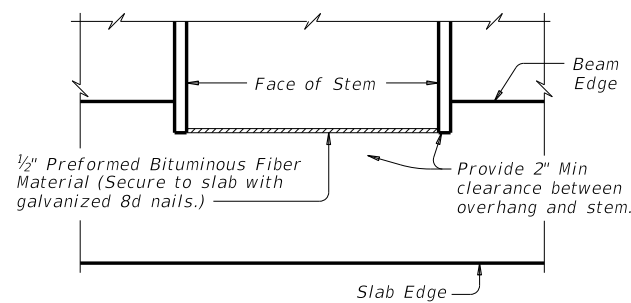
SHOWING CONSTRUCTION JOINTS OR CONTROLLED JOINTS



SHOWING EXPANSION JOINTS

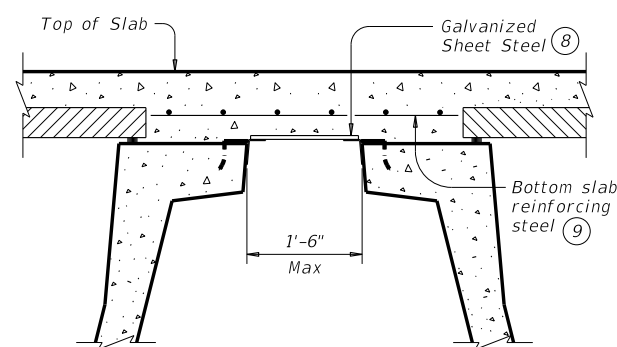
REINFORCEMENT OVER INVERTED-T BENT

Slab reinforcement not shown for clarity.



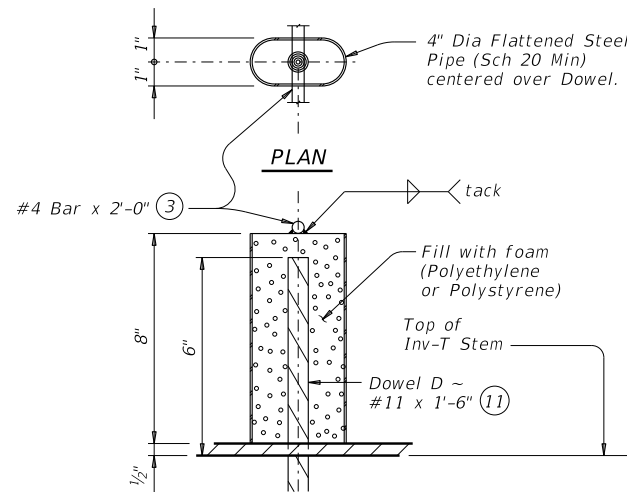
SECTION A-A

Applies to sloped overhang only

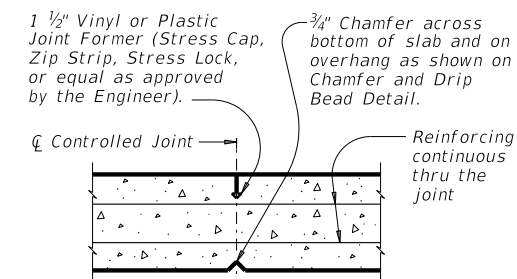


PERMISSIBLE SLAB FORMING DETAIL

See standard PMDF for connection details

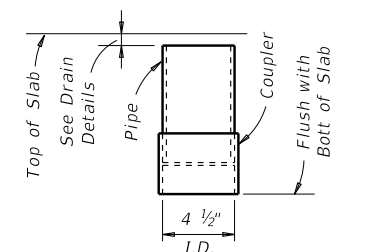


ELEVATION
DETAIL "A"

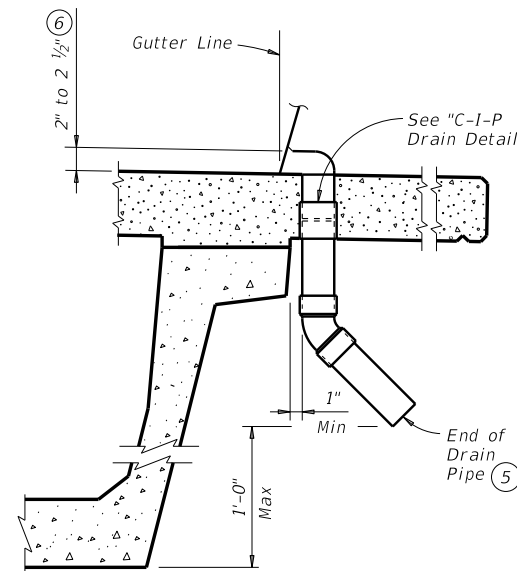
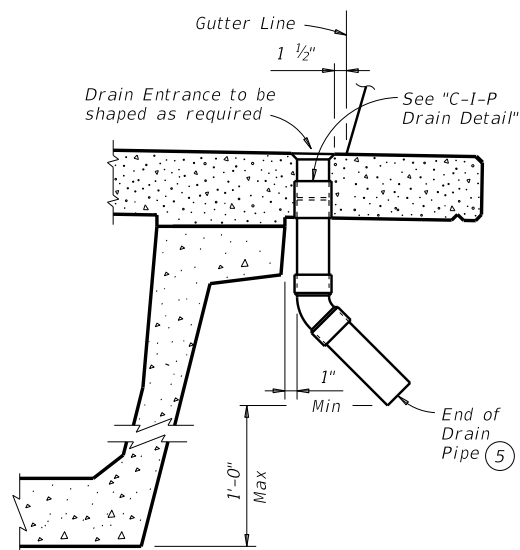


CONTROLLED JOINT DETAIL

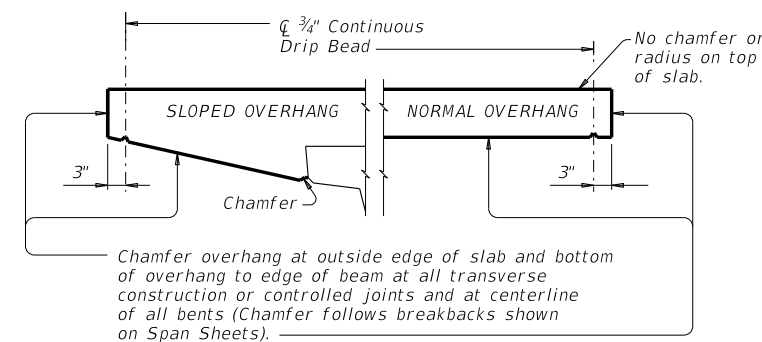
(Saw-cutting is not allowed)



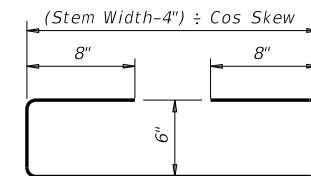
C-I-P DRAIN DETAIL



DRAIN DETAILS



CHAMFER AND DRIP BEAD DETAIL



BARS W (#4)

- ① Space Bars Y (#4) at 12" Max. Use 2" end cover. Number of Bars Y must satisfy spacing limit. Place parallel to bent.
- ② Space Bars W at 12" Max (3" from end of cap). Tilt if necessary to maintain cover requirements. Place parallel to longitudinal slab reinforcement.
- ③ Field bend #4 Bars and tie securely to slab steel.
- ④ Roughen outside of PVC with coarse rasp or equal to ensure bond with cast-in-place concrete.
- ⑤ Water must not be discharged onto beams.
- ⑥ Form Drain Entrance in Rail or Sidewalk.
- ⑦ Provide 4" diameter (Sch 40) PVC for all drain pipe and fittings. See Item 481 "Pipe for Drains" for pipe, connections and solvent welding. Bend reinforcing steel to clear PVC 1". Drain length and location will be as directed by the Engineer. No drains will be permitted over roadways or railways, or within 10'-0" of Bent Caps. Degrease outside of exposed PVC, apply acrylic water base primer, then coat with same surface finishing material as used for outside beam face. Variations of the above designs, as required for the type of rail used and its location on the structure, may be installed with the approval and direction of the Engineer.
- ⑧ Galvanized sheet steel can be used to form the slab when clear distance between beams is 1'-6" and less. All requirements for permanent metal deck forms shown on standard PMDF apply.
- ⑨ Bottom slab reinforcing for Permissible Slab Forming Detail must match the size and spacing of the top mat of steel as shown on the span details unless otherwise noted, except bottom reinforcing steel must be #5 bars. Transverse bottom slab reinforcing must have 1" end clear to edge of panel when used with PCP option.
- ⑩ See Layout for Joint Type.
- ⑪ Dowel D (#11) spaced at 5 ft Max. See Inverted-T Bents for quantity and location.

GENERAL NOTES:

Designed according to AASHTO LRFD Bridge Design Specifications.

Cover dimensions are clear dimensions, unless noted otherwise.
Reinforcing bar dimensions shown are out-to-out of bar.

CONSTRUCTION NOTES:

All items (reinforcing steel, drains, joint formers, etc.) shown on this sheet are subsidiary to other bid items.



**MISCELLANEOUS
SLAB DETAILS
PRESTR CONC U-BEAM SPANS**

UBMS

FILE: UB-UBMS-14.dgn	DN: TxDOT	CK: TxDOT	DW: TxDOT	CK: TxDOT
©TxDOT	CONT	SECT	JOB	HIGHWAY
REVISIONS				
	DIST	COUNTY		SHEET NO.

DATE:
FILE: