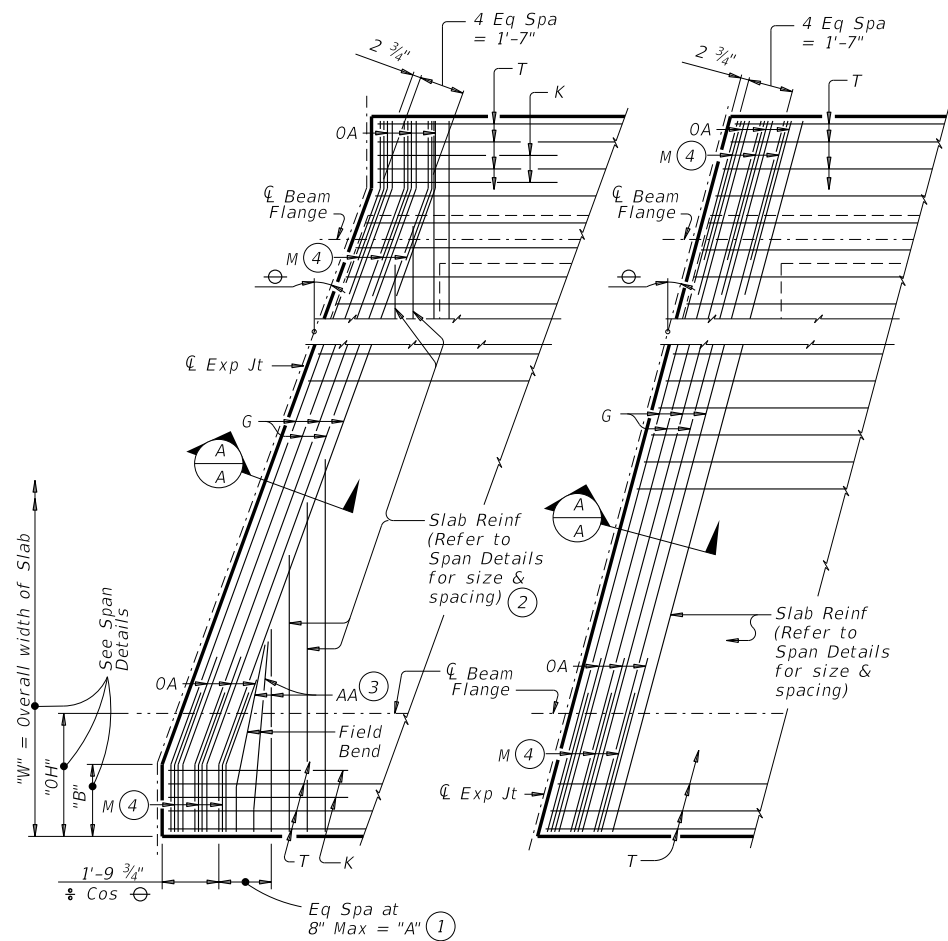


DISCLAIMER: This standard is governed by the "Texas Engineering Practice Act." No warranty of any kind is made by TxDOT for any purpose whatsoever. TxDOT assumes no responsibility for the conversion of this standard to other formats or for incorrect results or damages resulting from its use.

DATE: FILE:

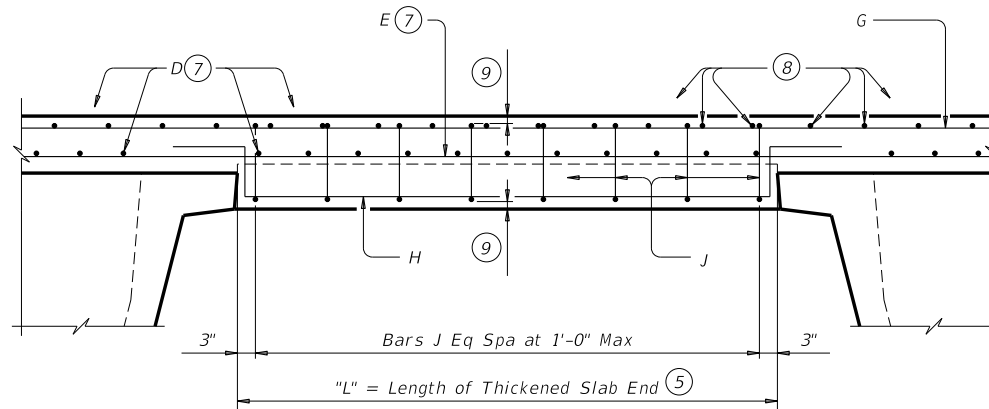


WITH BREAKBACK

WITHOUT BREAKBACK

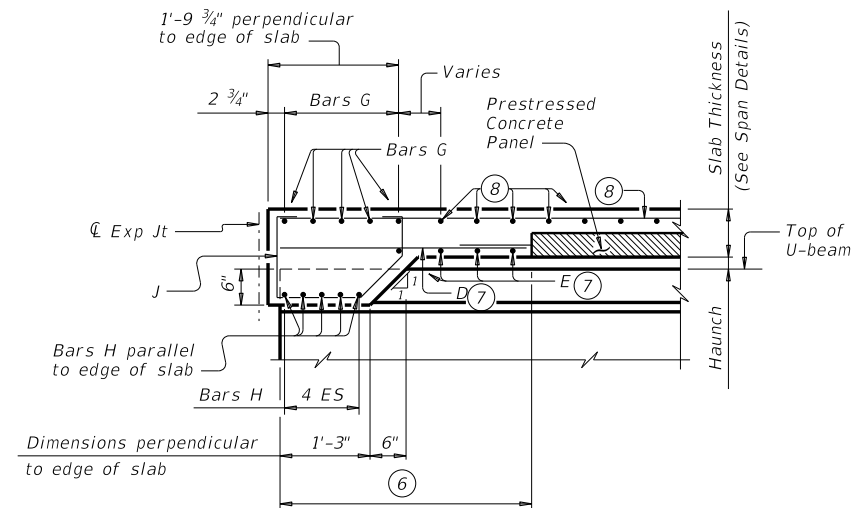
PARTIAL PLAN

(Showing top reinforcing steel only unless noted otherwise)



TYPICAL TRANSVERSE SECTION

- ① $A = ("OH" + 2.125' + \frac{0.052'}{\sin \theta} - "B") \times \tan \theta$
- ② End the top transverse reinforcement steel at inside Bar G. End the bottom transverse reinforcement steel 1'-0" beyond inside Bar G.
- ③ Bars AA (Top & Bott)
- ④ Place 3 Bars M (Bott) at 10" Max. Field bend as necessary. Substitute Bars Z1 for Bars M when sloped overhangs are required. Bars Z1 are shown on standard PCP.
- ⑤ Thickened slab end not required for lengths less than 1'-6".
- ⑥ See standard PCP for panel placement.
- ⑦ See standard PCP for Bars D and E.
- ⑧ See Span Details for reinforcement size and spacing.
- ⑨ Provide clear cover as shown on Span Details.



SECTION A-A

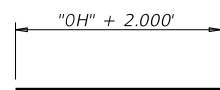
GENERAL NOTES:

Designed according to AASHTO LRFD Bridge Design Specifications. Use these details in conjunction with the Span Details and standard PCP (if prestressed concrete panels are used). When Option 2 from standard PCP is used, provide Bars AA, G, K and OA in the slab.

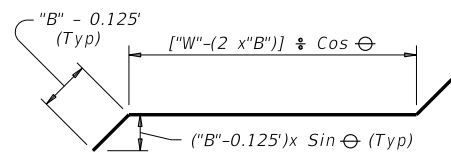
Cover dimensions are clear dimensions, unless noted otherwise. Reinforcing bar dimensions shown are out-to-out of bar.

CONSTRUCTION NOTES:

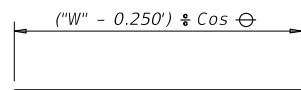
Provide Grade 60 reinforcing steel. If slab reinforcing steel is shown on the Span Details to be epoxy coated, then Bars AA, G, K, H, J and M must be epoxy coated. Provide bar laps, where required, as follows:
 Uncoated ~ #4 = 1'-5"
 Epoxy Coated ~ #4 = 2'-1"



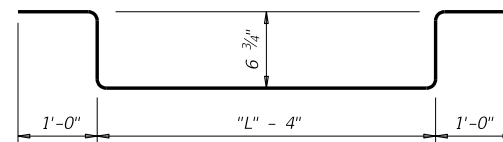
BARS AA (#5)



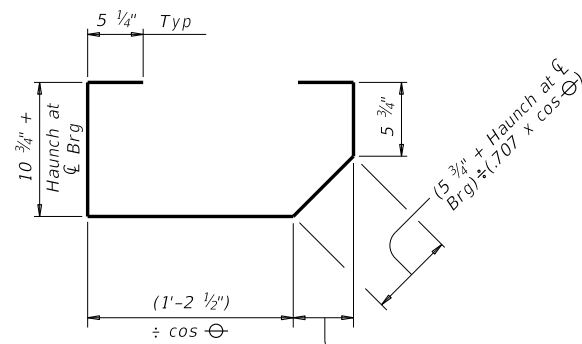
BARS G (#4)
(For Slabs With Breakbacks)



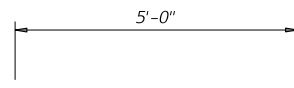
BARS G (#4)
(For Slabs Without Breakbacks)



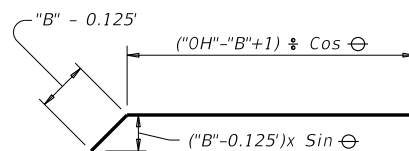
BARS H (#6)



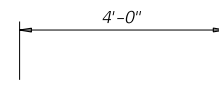
BARS J (#4)



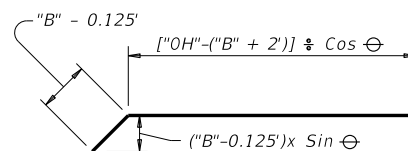
BARS K (#4)



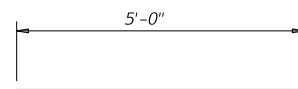
BARS M (#4)
(For Slabs With Breakbacks)



BARS M (#4)
(For Slabs Without Breakbacks)



BARS OA (#5)
(For Slabs With Breakbacks)



BARS OA (#5)
(For Slabs Without Breakbacks)

HL93 LOADING



**THICKENED SLAB END DETAILS
PRESTR CONC U-BEAM SPANS**

UBTS

FILE: UB-UBTS-14.dgn	DN: TxDOT	CK: TxDOT	DW: TxDOT	CK: TxDOT
©TxDOT	CONT	SECT	JOB	HIGHWAY
REVISIONS				
	DIST	COUNTY	SHEET NO.	