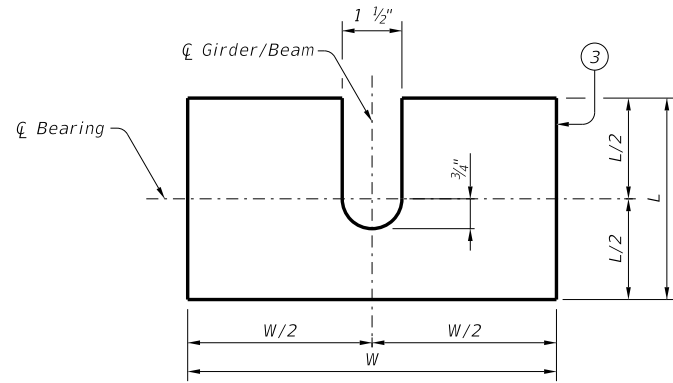


DISCLAIMER: The use of this standard is governed by the "Texas Engineering Practice Act". No warranty of any kind is made by TxDOT for any purpose whatsoever. TxDOT assumes no responsibility for the conversion of this standard to other formats or for incorrect results or damages resulting from its use.

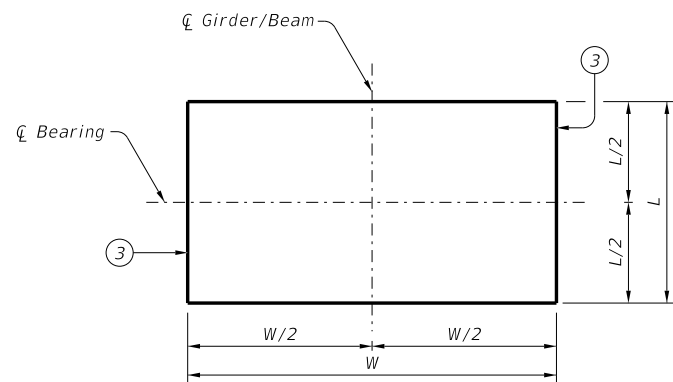
DATE:
FILE:

BEARING PAD SUMMARY TABLE

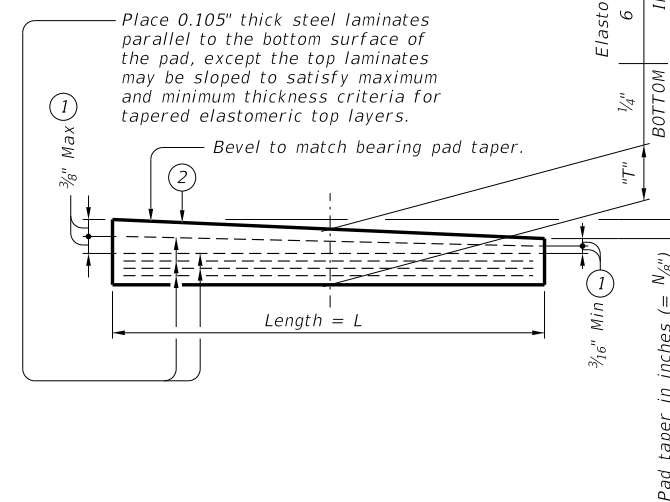
NBI	Abut / Bent No.	Dowels (Y/N)	Bearing Pad Dimensions			Beam Slope	Bearing Pad Type	Quantity
			L (inch)	W (inch)	T (inch)			



BEARING PAD PLAN WITH DOWEL



BEARING PAD PLAN WITHOUT DOWEL



BEARING PAD ELEVATION

LAMINATED ELASTOMERIC BEARING REPLACEMENT DETAILS

(50 DUROMETER)

Note: Showing standard bearing pad design. Designer to determine layer thicknesses, pad durometer, and number of layers required and modify detail as needed.

- ① Maximum and minimum layer thicknesses shown are for elastomer only, on tapered layers.
- ② Indicate BEARING TYPE on all pads. For tapered pads, locate BEARING TYPE on the high side. Include the value of "N" (amount of taper in 1/8" increments) in this mark. Examples: N=0, (for 0" taper)
N=1, (for 1/8" taper)
N=2, (for 1/4" taper)
(etc.)
Fabricated pad top surface slope must not vary from plan beam slope by more than $\left(\frac{0.0625}{\text{Length}}\right)$ 1N/1N.
- ③ Locate permanent mark here.

NOTE TO DESIGNER:
This sheet is to be used as a guide for replacing elastomeric bearing pads for concrete beams. The designer is responsible for sizing the bearing pad, estimating lifting loads, and modifying the details as needed. Particular care should be taken in identifying locations where dowels may restrain existing pads and a slotted pad may be required. Use Item 4002-6001 to replace elastomeric bearing pads. This sheet may not be used without modification. The details shown may need to be amended if the exact existing conditions are not covered. In all cases, details and notes not required must be crossed out or eliminated, and the phrase "Not to be used as a standard" must be removed. Sheet must be signed and sealed.

- LIFTING NOTES:**
- All work and materials for bearing pad replacement must be performed and paid for in accordance with Special Specification 4002, "Elastomeric Bearing Pads." Verify all locations and beam slopes prior to ordering materials.
 - Submit lifting plans and calculations to the Engineer for approval. Design lifting device and supports for live load and dead load with appropriate load factors in accordance with Item 495, "Raising Existing Structures." Unfactored loads are as follows:
DL = -- kips per beam end
LL = -- kips per beam end (including impact)
 - Limit lifting to 1/2" maximum to allow for pad replacement. Note that dowels may restrain existing pads. Do not damage deck, beams, or cap during any stage of bearing pad replacement.
 - Supporting falsework on existing bent caps is permitted following requirements of Lifting Note 2 above.
 - Jacking against the slab is not allowed. Jacking from existing bent cap is permitted following requirements of Lifting Note 2 above.
 - Place new bearing pads and lower beams back onto pads. Ensure that all new bearing pads compress when jacking force is removed. If load is not transferred as intended, place steel shims under pad or use epoxy injection or grout mixture as specified in Article 784.4.3 to properly engage bearing pad and transfer load.

Live load is permitted on the bridge only after the structure has been raised and is supported by cribbing or temporary supports.

- GENERAL NOTES:**
- Replace existing bearings per Special Specification 4002, "Elastomeric Bearing Pads". Payment for lifting the structure is included in the price bid for replacing elastomeric bearing pads.
 - Raise the existing span in accordance with Item 495, "Raising Existing Structures." It is acceptable to cut existing pad to facilitate removal.
 - Following installation of new bearing pad apply stripe coat of Type V epoxy at interface of pad and concrete pedestal to secure pad.

P.E. SEAL
REQUIRED
PRELIMINARY
SUBJECT TO REVISION

This document is released for informational purposes under the authority of XXX XXX.
P.E. XXXXX on XX/XX/XX.
It is not to be used for regulatory approval, permit, bidding, or construction purposes.

				Bridge Division	
ELASTOMERIC BEARING REPLACEMENT DETAILS FOR CONCRETE BEAMS (Not to be used as a standard) NBI: XX-XXX-XXXX-XX-XXX					
FILE: WD-EBR(C)-22.dgn	DN:	CK:	DW:	CK:	
©TxDOT August 2022	CONT	SECT	JOB	HIGHWAY	
REVISIONS					
	DIST	COUNTY			SHEET NO.