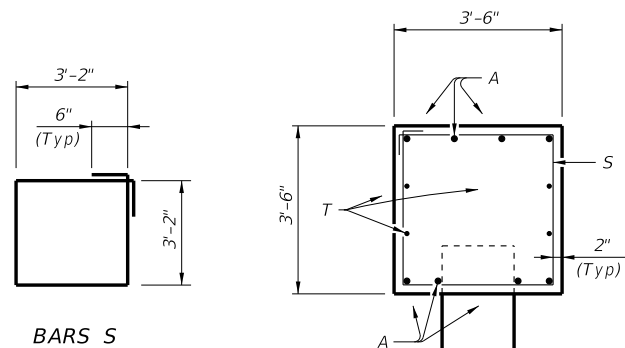
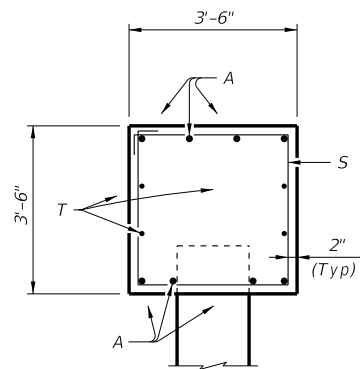


DISCLAIMER: The use of this standard is governed by the "Texas Engineering Practice Act." No warranty of any kind is made by TxDOT for any purpose whatsoever. TxDOT assumes no responsibility for the conversion of this standard to other formats or for incorrect results or damages resulting from its use.

DATE: FILE:

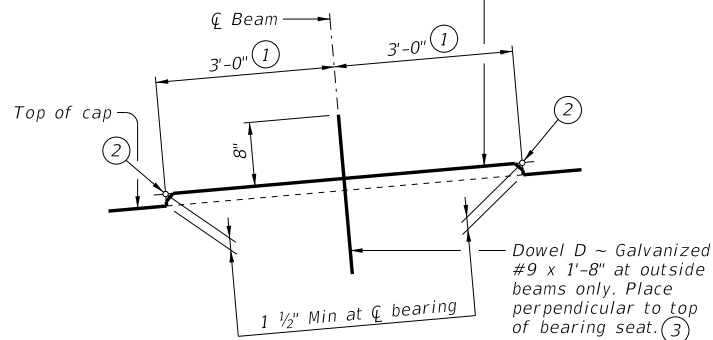


BARS S



SECTION A-A

Level along a line perpendicular to \bar{C} bent. Uniform slope between left and right bearing seat elevations. Finish with a wood float finish.



BEARING SEAT DETAIL

(Remove all loose material and clean bearing surface before placing the bearing pad.)

Pile Type		Maximum Height	Maximum Load
Concrete	Steel	Ft	(Tons/Pile)
18" Sq	HP14x117 (6)	20	90
20" Sq	HP18x135	24	110
24" Sq	(7)	24	140

Span Length	Minimum Concrete Pile Size	5XB20 & 5XB28 X-Beams
		Pile Loads
Ft	In.	Tons/Pile
40	18	73
45		80
50		87
55	20	93
60		99
65		106
70	24	112
75		118
80		125

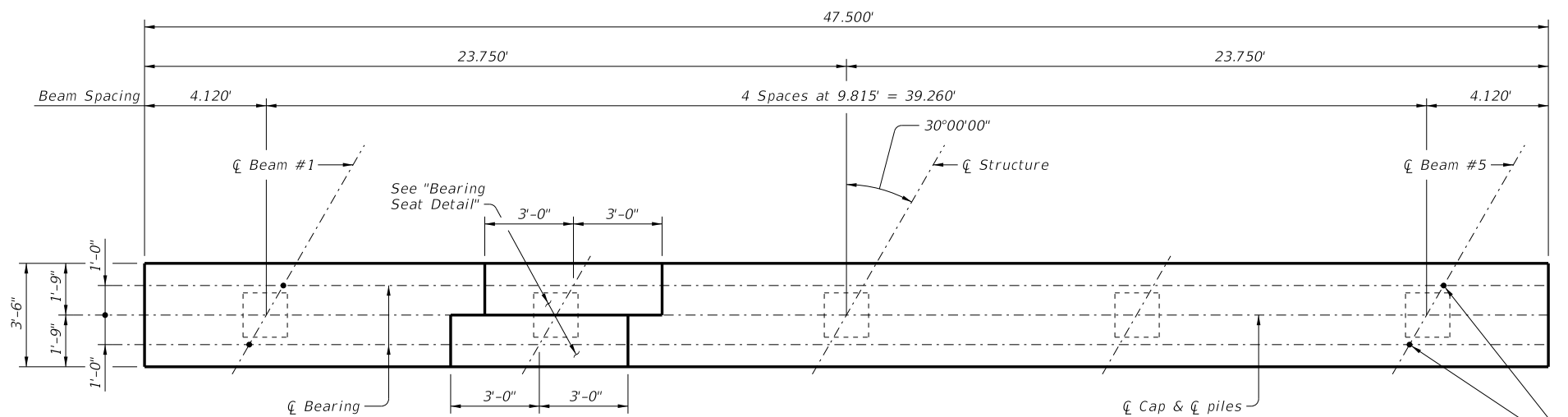
40' THROUGH 80' SPANS				
Bar	No.	Size	Length	Weight
A	8	#9	47'-2"	1,283
D (3)	4	#9	1'-8"	23
S	48	#5	13'-8"	684
T	4	#5	47'-2"	197
Reinforcing Steel			Lb	2,187
Class "C" Concrete (Cap)			CY	22.0

- (1) Measured along \bar{C} of bearing.
- (2) Right and left elevations and locations are provided elsewhere.
- (3) Omit Dowels D at end of multi-span units. Adjust reinforcing steel total accordingly.
- (4) See Common Foundation Details (FD) standard.
- (5) In areas of very soft soil or where scour is anticipated, maximum allowable exposed pile heights must be evaluated by the Engineer prior to use of this standard.
- (6) When HP14 x 117 steel piling is specified in the plans, the Contractor has the option of furnishing either HP14 x 117 or HP16 x 101 steel piling.
- (7) Where no steel HP section is shown, a suitable HP equivalent to the square concrete pile has not been evaluated.

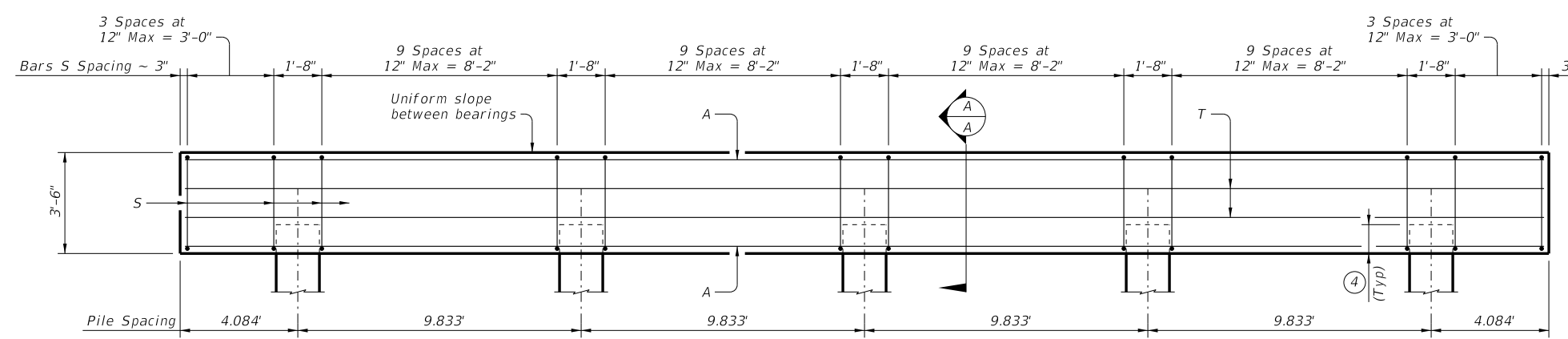
MATERIAL NOTES:
 Provide Class C concrete ($f'c = 3,600$ psi.)
 Provide Class C (HPC) concrete if shown elsewhere in the plans.
 Provide Grade 60 reinforcing steel.
 Galvanize dowel bars D.

GENERAL NOTES:
 Designed according to AASHTO LRFD Bridge Design Specifications.
 For bents supporting unequal spans, the shorter span must not be less than 80 percent of the longer span.
 These details are limited to an 80 ft. maximum span length. See Bridge Layout for piling size and length.
 See Common Foundation Details (FD) standard for all foundation details and notes.
 See Shear Key Details (XBSK) standard sheet for all shear key details and notes if applicable.
 Bent selected must be based on the average span length, rounded up to the next 5-foot increment.
 Details are drawn showing right forward skew. See Bridge Layout for actual skew direction.
 These bent details may be used with standard SXB-40-30 only.

Cover dimensions are clear dimensions, unless noted otherwise. Reinforcing bar dimensions shown are out-to-out of bar.



PLAN



ELEVATION

Note: For piling larger than 18", adjust Bars S as required to avoid piling.

HL93 LOADING

		Bridge Division Standard	
INTERIOR TRESTLE BENTS PRESTR CONC X-BEAMS (TYPE 5XB20 AND 5XB28) 40' ROADWAY 30° SKEW BTXB-40-30			
FILE: XB-BTxB4030-22.dgn	DN: BMP	CK: EFC	DW: JER
©TxDOT August 2022	CONT	SECT	JOB
REVISIONS		HIGHWAY	
DIST		COUNTY	
		SHEET NO.	