

DISCLAIMER: This standard is governed by the "Texas Engineering Practice Act." No warranty of any kind is made by TxDOT for any purpose whatsoever. TxDOT assumes no responsibility for the conversion of this standard to other formats or for incorrect results or damages resulting from its use.

DATE:
FILE:

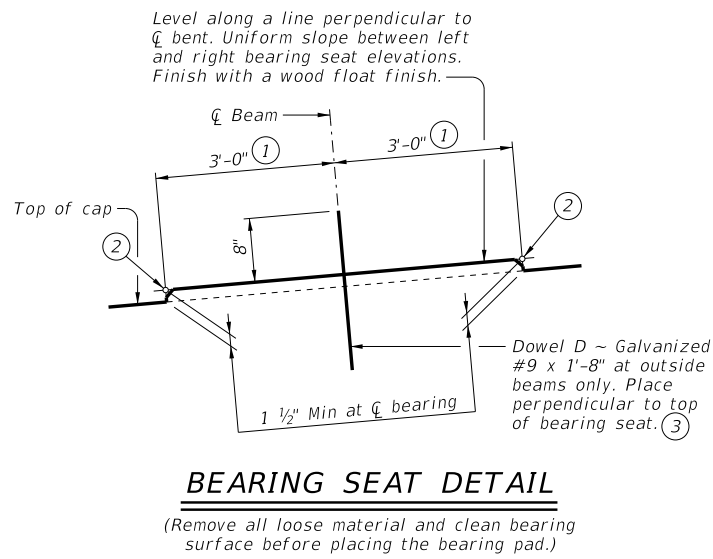
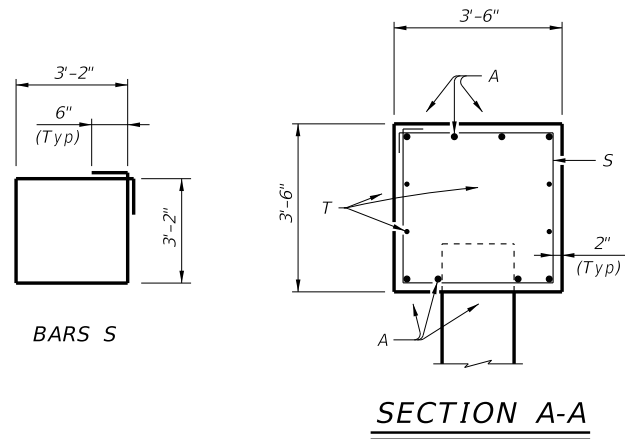


TABLE OF MAXIMUM ALLOWABLE EXPOSED PILE HEIGHTS AND PILE LOADS (5)

Pile Type		Maximum Height	Maximum Load
Concrete	Steel	Ft	(Tons/Pile)
18" Sq	HP14x117 (6)	20	90
20" Sq	HP18x135	24	110
24" Sq	(7)	24	140

FOUNDATION LOADS

Span Length	Minimum Concrete Pile Size	5XB20 & 5XB28 X-Beams
		Pile Loads
Ft	In.	Tons/Pile
40	18	66
45		72
50		78
55	20	84
60		90
65		96
70		102
75		108
80	24	114
85		120

TABLE OF ESTIMATED QUANTITIES

40' THROUGH 85' SPANS

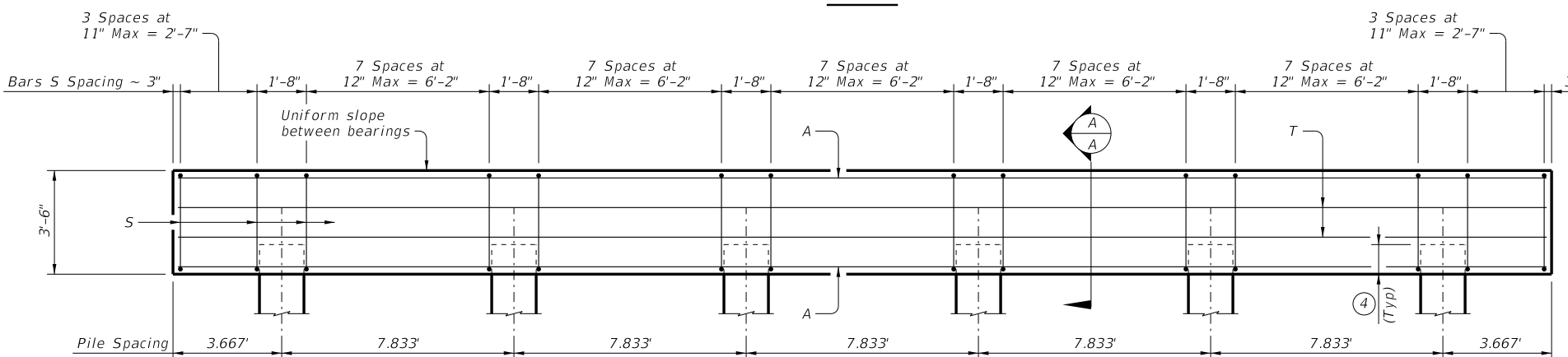
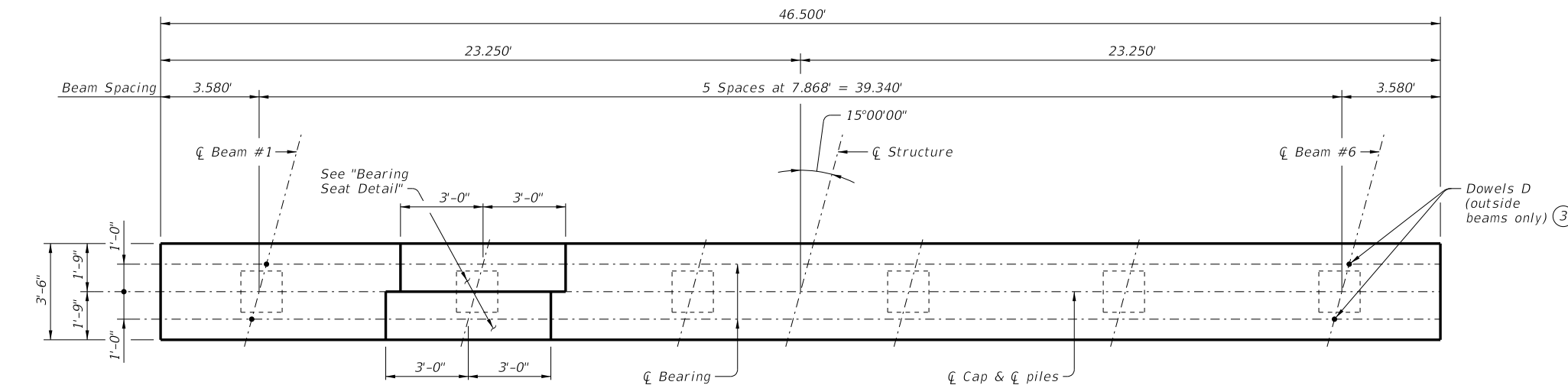
Bar	No.	Size	Length	Weight	
A	8	#9	46'-2"	1,256	
D (3)	4	#9	1'-8"	23	
S	48	#5	13'-8"	684	
T	4	#5	46'-2"	193	
Reinforcing Steel				Lb	2,156
Class "C" Concrete (Cap)				CY	21.7

- Measured along centerline of bearing.
- Right and left elevations and locations are provided elsewhere.
- Omit Dowels D at end of multi-span units. Adjust reinforcing steel total accordingly.
- See Common Foundation Details (FD) standard.
- In areas of very soft soil or where scour is anticipated, maximum allowable exposed pile heights must be evaluated by the Engineer prior to use of this standard.
- When HP14 x 117 steel piling is specified in the plans, the Contractor has the option of furnishing either HP14 x 117 or HP16 x 101 steel piling.
- Where no steel HP section is shown, a suitable HP equivalent to the square concrete pile has not been evaluated.

MATERIAL NOTES:
 Provide Class C concrete (f'c = 3,600 psi.)
 Provide Class C (HPC) concrete if shown elsewhere in the plans.
 Provide Grade 60 reinforcing steel.
 Galvanize dowel bars D.

GENERAL NOTES:
 Designed according to AASHTO LRFD Bridge Design Specifications.
 For bents supporting unequal spans, the shorter span must not be less than 80 percent of the longer span.
 These details are limited to an 85 ft. maximum span length. See Bridge Layout for piling size and length.
 See Common Foundation Details (FD) standard for all foundation details and notes.
 See Shear Key Details (XBSK) standard sheet for all shear key details and notes if applicable.
 Bent selected must be based on the average span length, rounded up to the next 5-foot increment.
 Details are drawn showing right forward skew. See Bridge Layout for actual skew direction.
 These bent details may be used with standard SXB-44-15 only.

Cover dimensions are clear dimensions, unless noted otherwise. Reinforcing bar dimensions shown are out-to-out of bar.



ELEVATION
 Note: For piling larger than 18", adjust Bars S as required to avoid piling.

HL93 LOADING

Texas Department of Transportation
 Bridge Division Standard

**INTERIOR TRESTLE BENTS
 PRESTR CONC X-BEAMS
 (TYPE 5XB20 AND 5XB28)
 44' ROADWAY 15° SKEW
 BTXB-44-15**

FILE: XB-BTxB4415-22.dgn	DN: BMP	CK: EFC	DW: JER	CK: BMP
©TxDOT August 2022	CONT	SECT	JOB	HIGHWAY
REVISIONS				
DIST	COUNTY			SHEET NO.