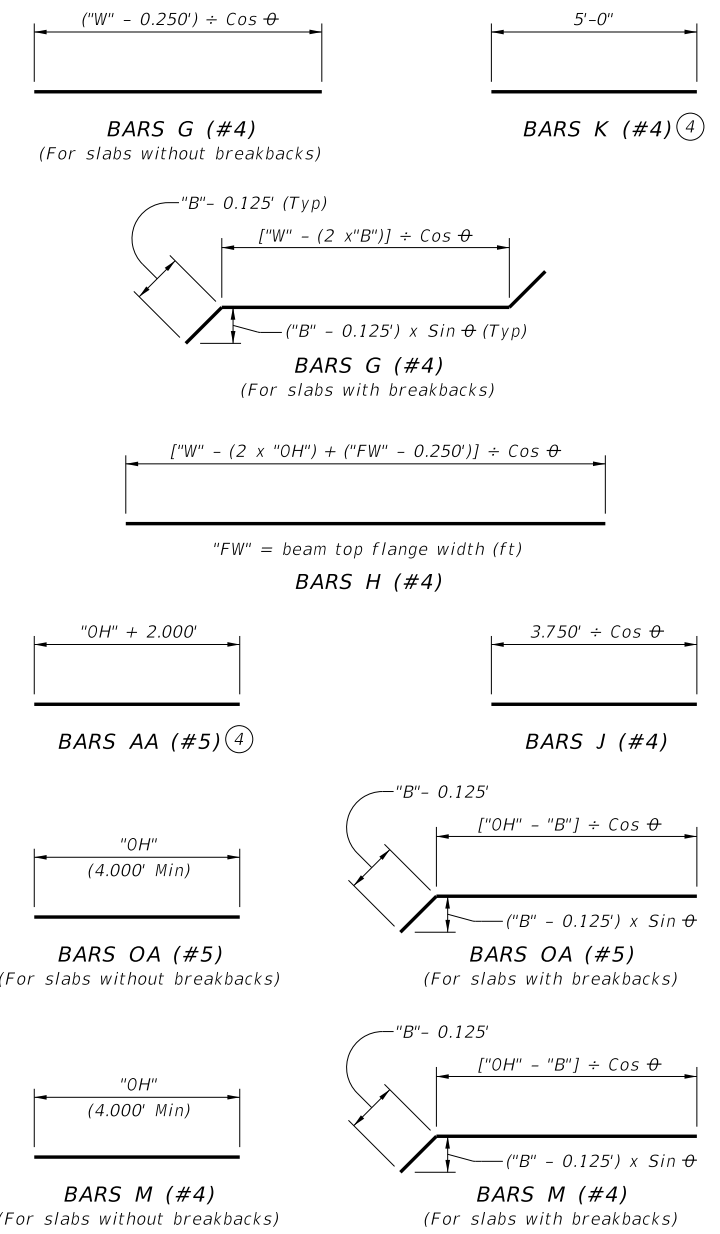
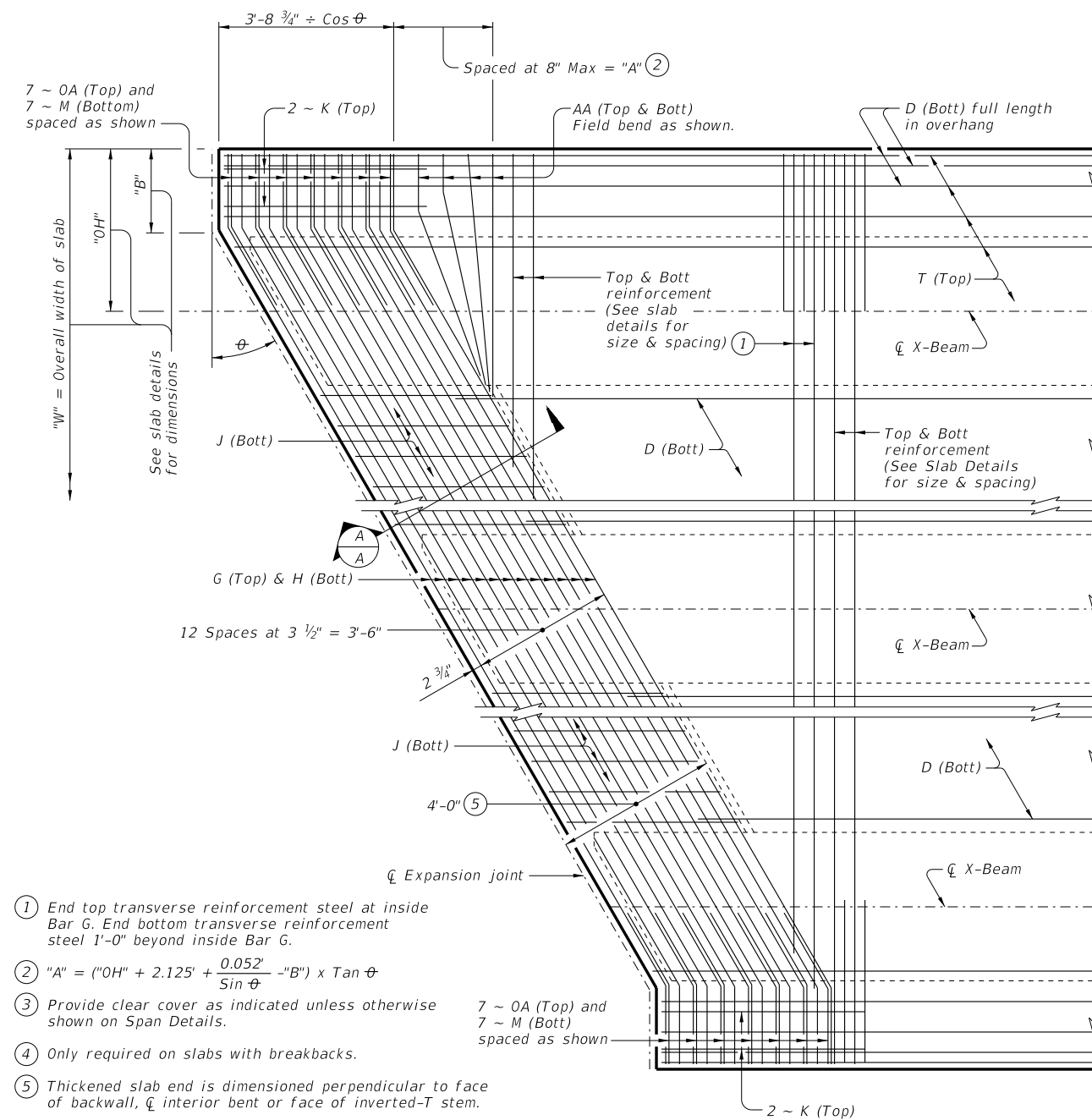
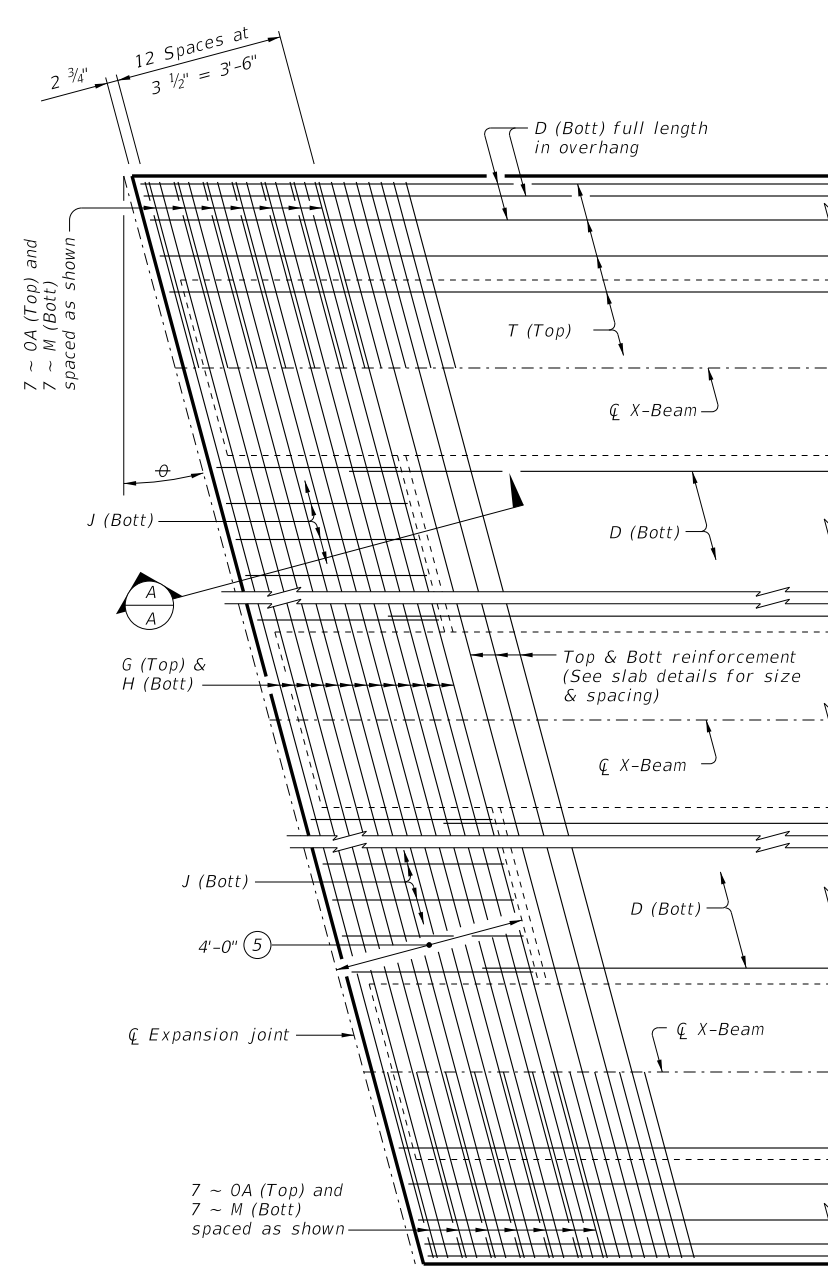


DISCLAIMER: The use of this standard is governed by the "Texas Engineering Practice Act." No warranty of any kind is made by TxDOT for any purpose whatsoever. TxDOT assumes no responsibility for the conversion of this standard to other formats or for incorrect results or damages resulting from its use.



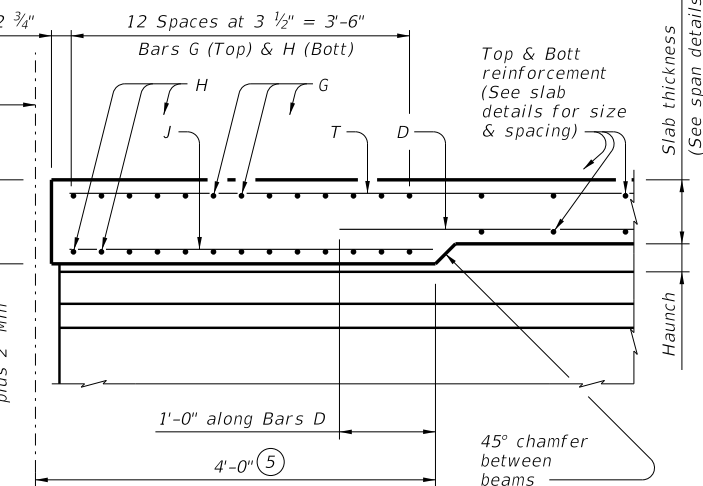
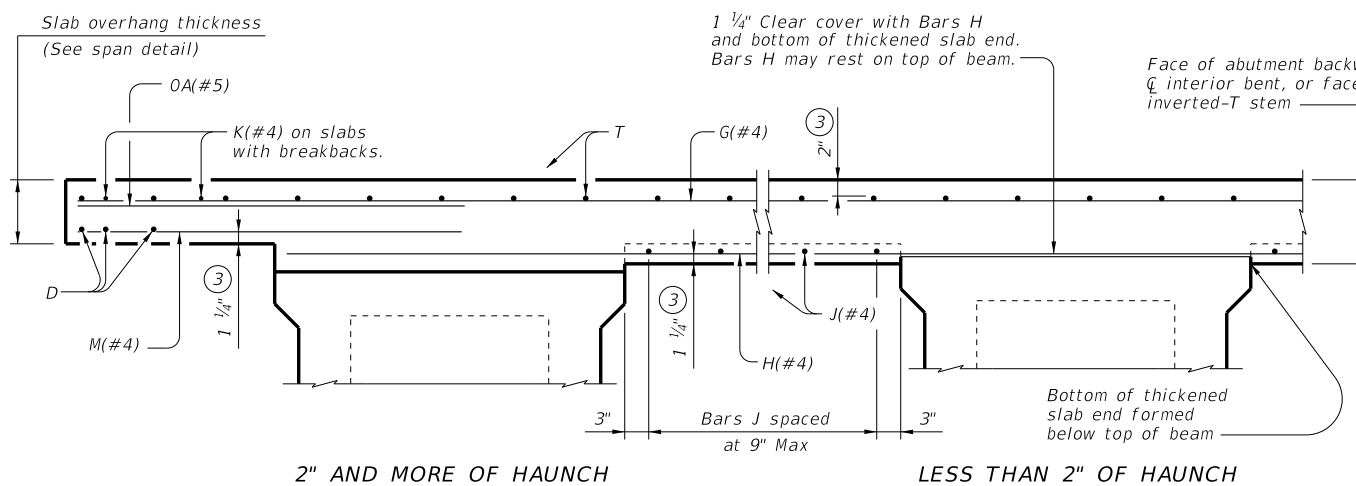
- ① End top transverse reinforcement steel at inside Bar G. End bottom transverse reinforcement steel 1'-0" beyond inside Bar G.
- ② $A = (OH) + 2.125 + \frac{0.052}{\sin \theta} (B) \times \tan \theta$
- ③ Provide clear cover as indicated unless otherwise shown on Span Details.
- ④ Only required on slabs with breakbacks.
- ⑤ Thickened slab end is dimensioned perpendicular to face of backwall, interior bent or face of inverted-T stem.

MATERIAL NOTES:
 Provide Grade 60 reinforcing steel.
 If slab reinforcing steel on the slab details is shown to be epoxy coated, then Bars AA, G, K, H, J, M, and OA must be epoxy coated.
 Provide bar laps, where required, as follows:
 Uncoated ~ #4 = 1'-7" Epoxy Coated ~ #4 = 2'-5"

GENERAL NOTES:
 Designed according to AASHTO LRFD Bridge Design Specifications.
 These details are restricted to Prestressed Concrete X-Beam Spans.
 Use these details in conjunction with the span details and Prestressed Concrete Panels (PCP) standard (if prestressed conc. panels are used).
 Cover dimensions are clear dimensions, unless noted otherwise. Reinforcing bar dimensions shown are out-to-out of bar.

PARTIAL PLAN FOR SLABS WITHOUT BREAKBACK

PARTIAL PLAN FOR SLABS WITH BREAKBACK



TYPICAL TRANSVERSE SECTION
 (Showing prestressed concrete X-Beams at bearing)

SECTION A-A
 (Showing with 2" and more of haunch)

HL93 LOADING

THICKENED SLAB END DETAILS
PRESTRESSED CONCRETE
X-BEAM SPANS
XBTS

Texas Department of Transportation		Bridge Division Standard	
FILE: XB-XBTS-22.dgn	DN: JMH	CK: TAR	DW: JER
©TxDOT August 2022	CONT	SECT	JOB
REVISIONS	DIST		COUNTY
	SHEET NO.		

DATE: FILE: