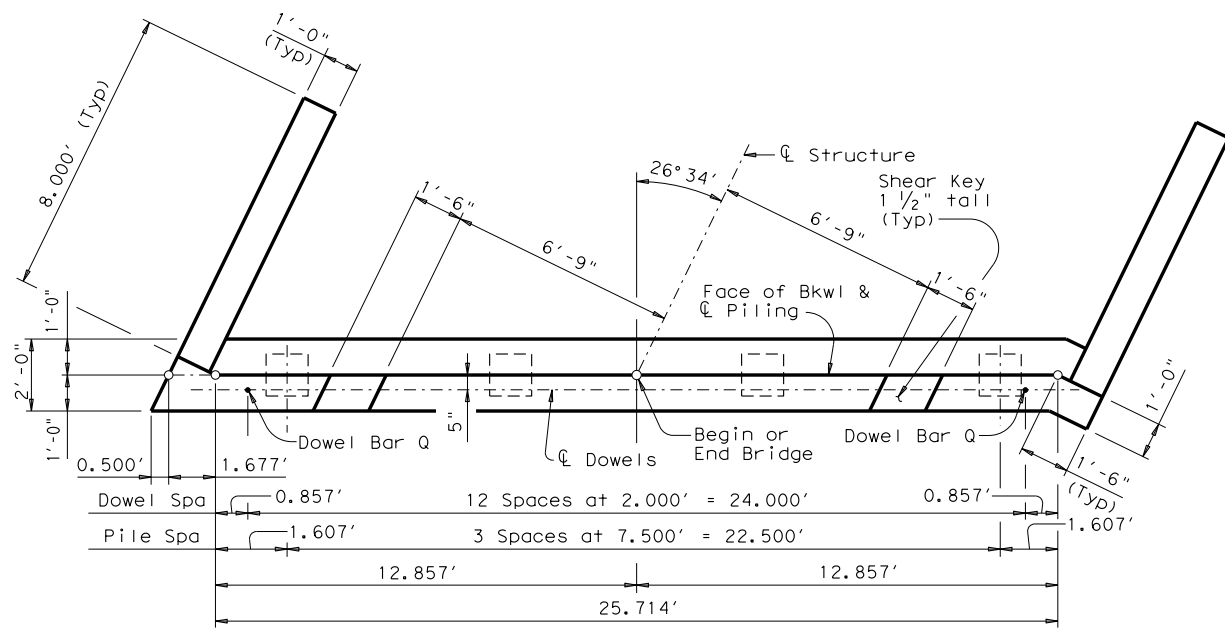
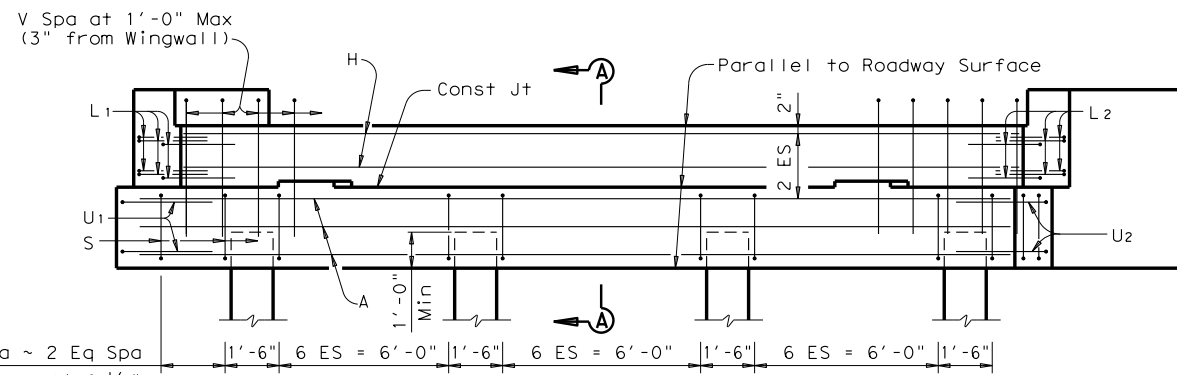


DISCLAIMER: The use of this standard is governed by the "Texas Engineering Practice Act". No warranty of any kind is made by TxDOT for any purpose whatsoever. TxDOT assumes no responsibility for the conversion of this standard to other formats or for incorrect results or damages resulting from its use.

DATE: FILE:

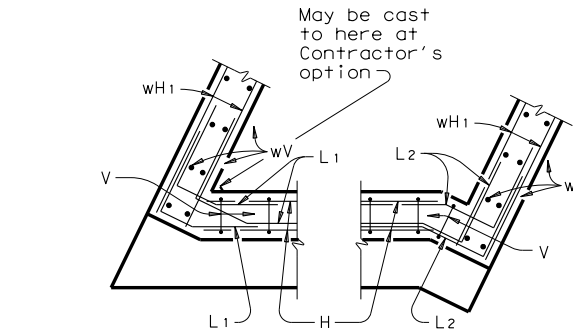
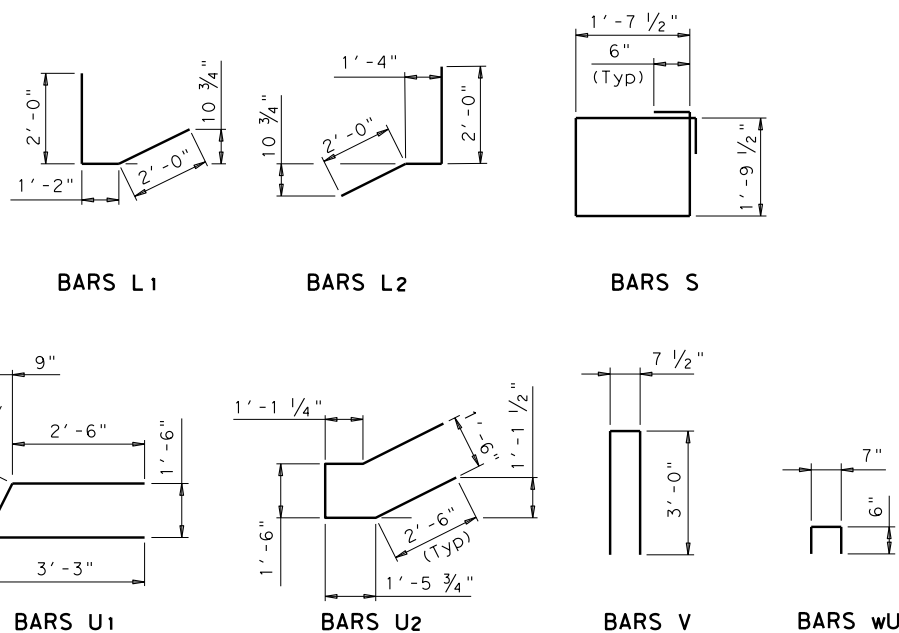


**PLAN**

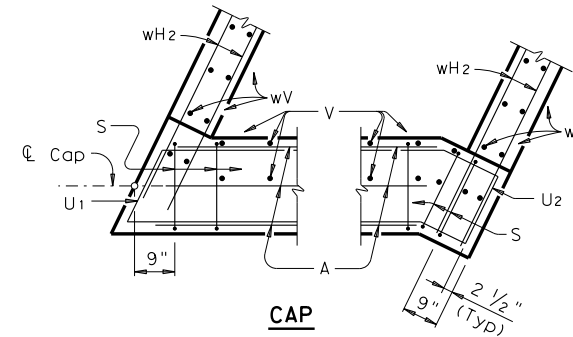


**ELEVATION**

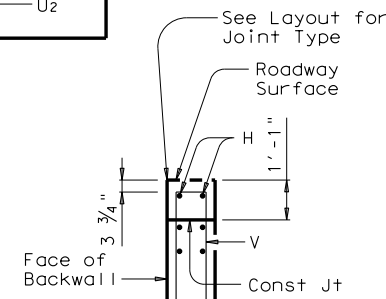
Note: For piling larger than 16", adjust Bars S and/or strip back piling as required to clear cap reinforcing.



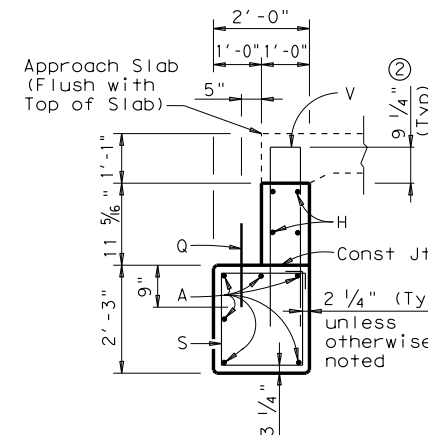
**BACKWALL**



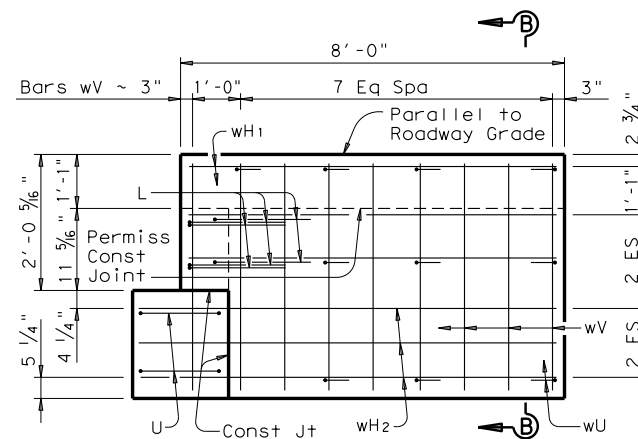
**CORNER DETAILS**



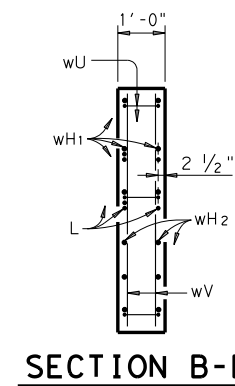
**BACKWALL DETAIL**<sup>③</sup>  
(Without Approach Slab)



**SECTION A-A**<sup>③</sup>  
(With Approach Slab)



**WINGWALL ELEVATION**



**SECTION B-B**

**TABLE OF ESTIMATED QUANTITIES**<sup>①</sup>

Bar	No.	Size	Length	Weight
A	6	#11	26'-10"	855
H	4	# 5	25'- 8"	107
L1	6	# 6	5'- 2"	47
L2	6	# 6	5'- 4"	48
Q	13	# 6	1'- 6"	29
S	27	# 5	7'-10"	221
U1	2	# 6	7'- 5"	22
U2	2	# 6	9'- 1"	27
V	28	# 5	6'- 8"	195
wH1	12	# 6	7'- 8"	138
wH2	12	# 6	8'- 8"	156
wU	20	# 4	1'- 7"	21
wV	36	# 5	3'-11"	147
Reinforcing Steel Lb				2,013
Class "C" Concrete CY				8.2

- Quantities shown are for one Abutment only (with Approach Slab). With no Approach Slab, add 1.0 CY Class "C" concrete and 54 Lbs Reinforcing Steel for 2 additional H Bars.
- Increase as required to maintain 3 3/4" from Finished Grade.
- See Layout to determine if Approach Slab is present.

**GENERAL NOTES:**

Designed according to AASHTO LRFD Specifications. Details shown are for right forward skew. See layout for actual skew direction. All cap and wall reinforcing shall be Grade 60. Concrete strength f'c = 3,600 psi. Designed for normal embankment header slope of 3:1. See Layout for foundation type, size and length. See standard FD for foundation details and notes. See standard CRR for riprap attachment details, if applicable. See rail details for rail anchorage cast in wingwalls. Calculated Foundation Load: 30 Tons/Pile

HL93 LOADING

		<b>Bridge Division Standard</b>	
<b>ABUT FOR 30'-4" CONC SLAB AND GIRDER SPANS (PILES)</b> <b>24 FT ROADWAY</b> <b>ACGP-30-24(26° 34')</b>			
FILE: acg04ste.dgn	DN: TxDOT	CK: TxDOT	DW: TxDOT
©TxDOT October 2005	CONT	SECT	JOB
REVISIONS			HIGHWAY
	DIST	COUNTY	SHEET NO.