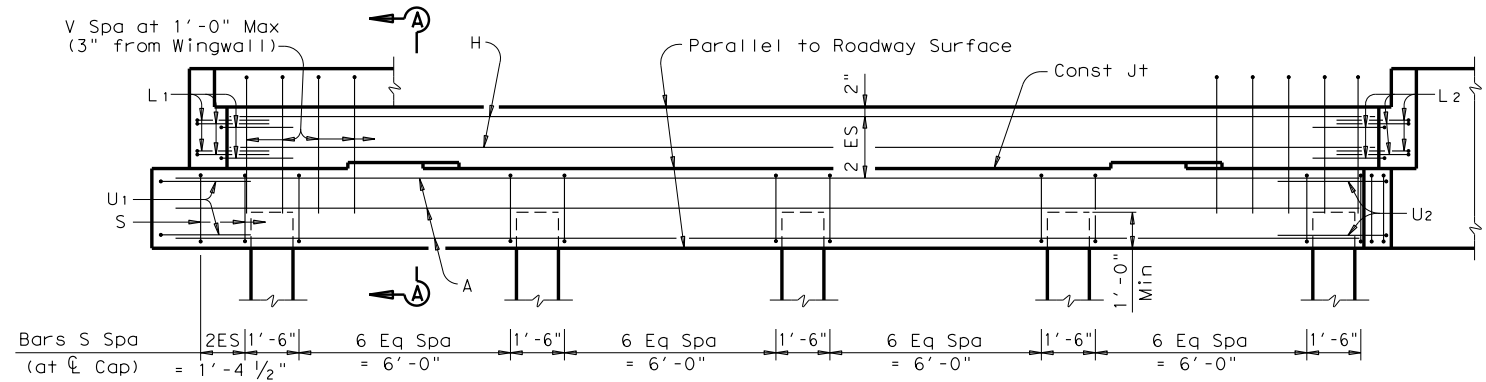
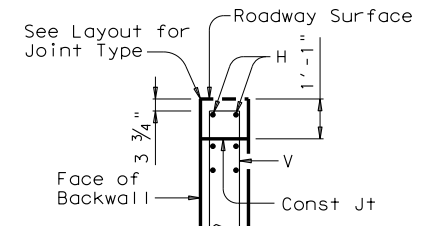
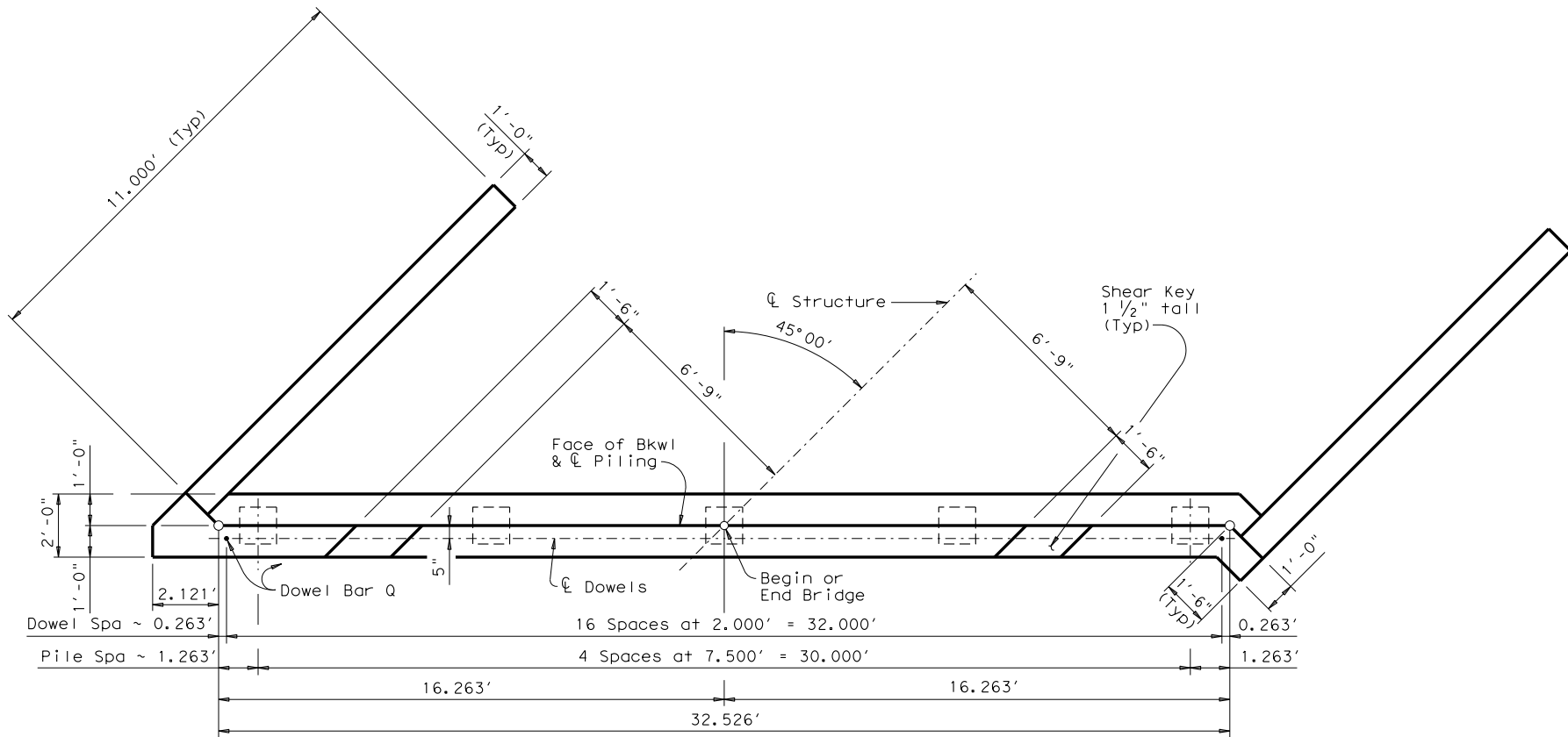


DISCLAIMER: The use of this standard is governed by the "Texas Engineering Practice Act". No warranty of any kind is made by TxDOT for any purpose whatsoever. TxDOT assumes no responsibility for the conversion of this standard to other formats or for incorrect results or damages resulting from its use.

DATE: FILE:



Note: For piling larger than 16", adjust Bars S and/or strip back piling as required to clear cap reinforcing.

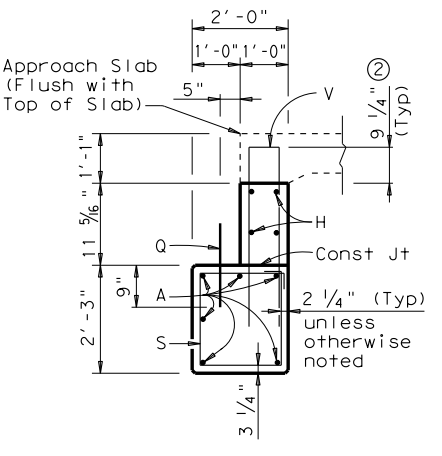


TABLE OF ESTIMATED QUANTITIES ①

Bar	No.	Size	Length	Weight
A	6	#11	33' - 7"	1,071
H	4	# 5	32' - 7"	136
L1	6	# 6	5' - 2"	47
L2	6	# 6	5' - 4"	48
Q	17	# 6	1' - 6"	38
S	34	# 5	7' - 10"	278
U1	2	# 6	7' - 8"	23
U2	2	# 6	9' - 1"	27
V	34	# 5	6' - 8"	236
wH1	12	# 6	10' - 8"	192
wH2	12	# 6	11' - 8"	210
wU	20	# 4	1' - 7"	21
wV	48	# 5	3' - 11"	196

Reinforcing Steel	Lb	2,523
Class "C" Concrete	CY	10.5

- ① Quantities shown are for one Abutment only (with Approach Slab). With no Approach Slab, add 1.3 CY Class "C" concrete and 68 Lbs Reinforcing Steel for 2 additional H Bars.
- ② Increase as required to maintain 3 3/4" from Finished Grade.
- ③ See Layout to determine if Approach Slab is present.

**GENERAL NOTES:**  
 Designed according to AASHTO LRFD Specifications. Details shown are for right forward skew. See layout for actual skew direction. All cap and wall reinforcing shall be Grade 60. Concrete strength f'c = 3,600 psi. Designed for normal embankment header slope of 3:1. See Layout for foundation type, size and length. See standard FD for foundation details and notes. See standard CRR for riprap attachment details, if applicable. See rail details for rail anchorage cast in wingwalls. Calculated Foundation Load: 27 Tons/Pile

HL93 LOADING SHEET 1 OF 2

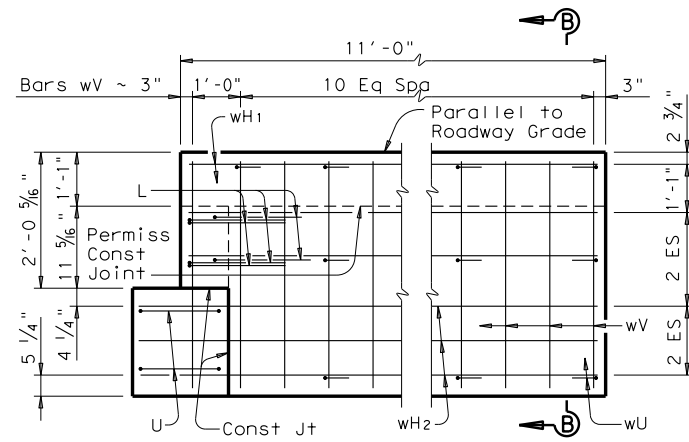


ABUT FOR 30'-4" CONC SLAB AND GIRDER SPANS (PILES)  
 24 FT ROADWAY  
 ACGP-30-24(45°00')

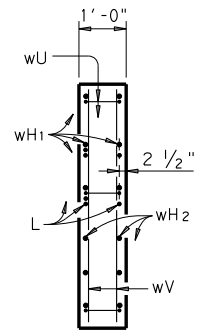
FILE: acg08ste.dgn	DN: TxDOT	CK: TxDOT	DW: TxDOT	CK: TxDOT
©TxDOT October 2005	CONT	SECT	JOB	HIGHWAY
REVISIONS				
	DIST	COUNTY		SHEET NO.

DISCLAIMER:  
 The use of this standard is governed by the "Texas Engineering Practice Act". No warranty of any kind is made by TxDOT for any purpose whatsoever. TxDOT assumes no responsibility for the conversion of this standard to other formats or for incorrect results or damages resulting from its use.

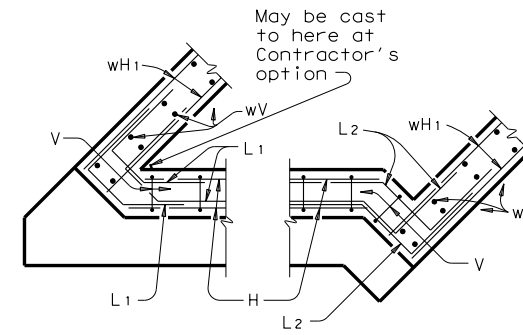
DATE:  
 FILE:



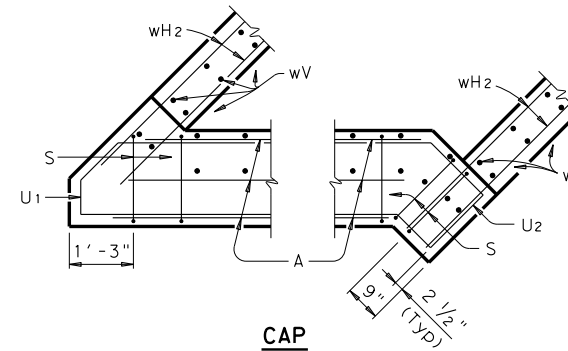
**WINGWALL ELEVATION**



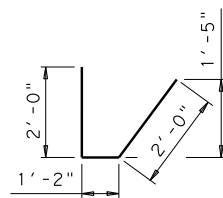
**SECTION B-B**



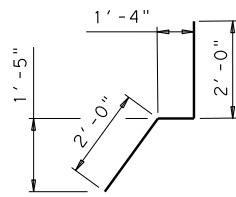
**BACKWALL**



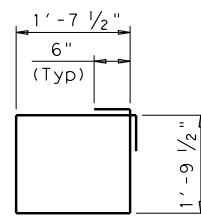
**CORNER DETAILS**



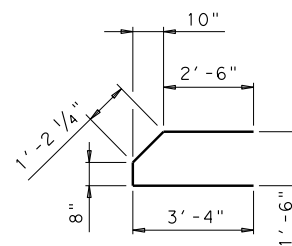
**BARS L1**



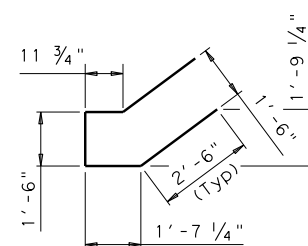
**BARS L2**



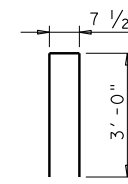
**BARS S**



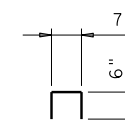
**BARS U1**



**BARS U2**



**BARS V**



**BARS wU**

HL93 LOADING

SHEET 2 OF 2



**ABUT FOR 30'-4" CONC  
 SLAB AND GIRDER SPANS  
 (PILES)  
 24 FT ROADWAY**

**ACGP-30-24(45°00')**

FILE: acg08ste.dgn	DN: TxDOT	CK: TxDOT	DW: TxDOT	CK: TxDOT
©TxDOT October 2005	CONT	SECT	JOB	HIGHWAY
REVISIONS				
	DIST	COUNTY	SHEET NO.	