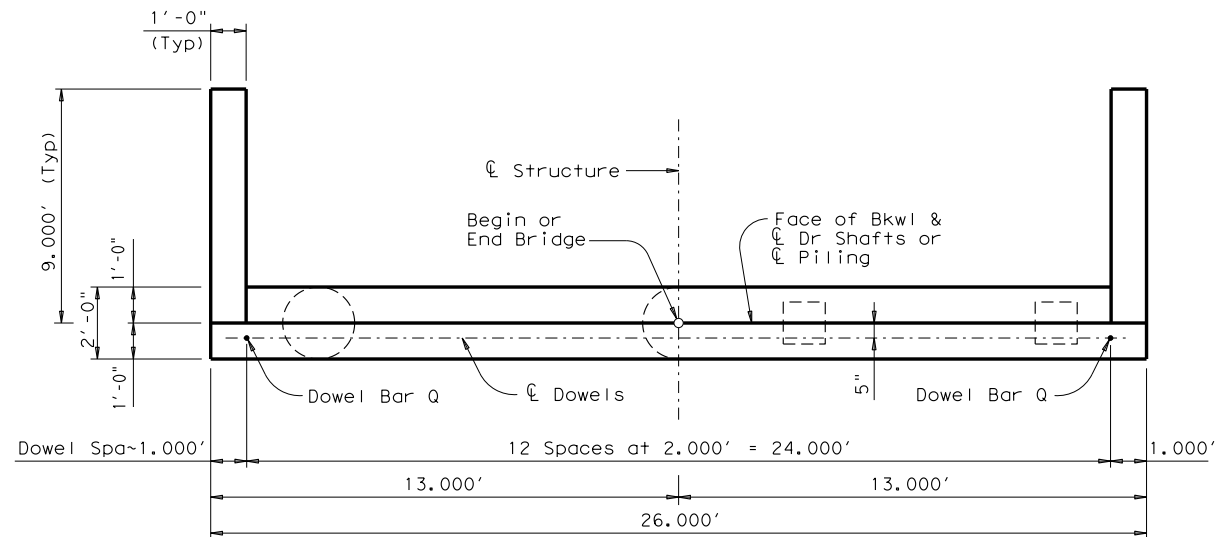
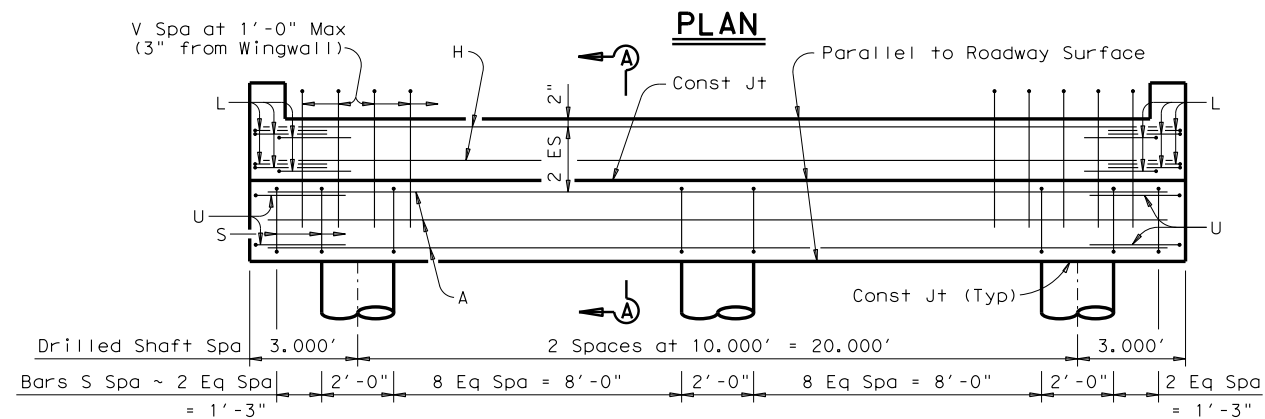


DISCLAIMER: The use of this standard is governed by the "Texas Engineering Practice Act". No warranty of any kind is made by TxDOT for any purpose whatsoever. TxDOT assumes no responsibility for the conversion of this standard to other formats or for incorrect results or damages resulting from its use.

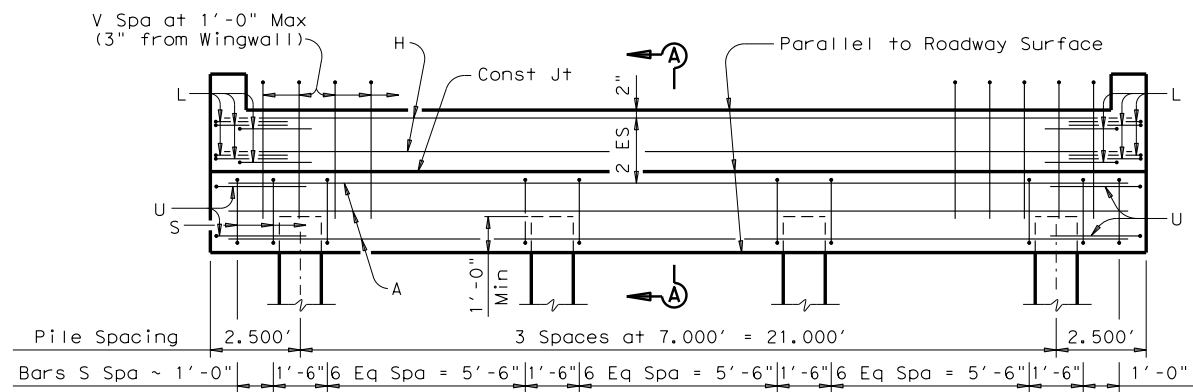
DATE: FILE:



SHOWING DRILLED SHAFTS SHOWING PILES

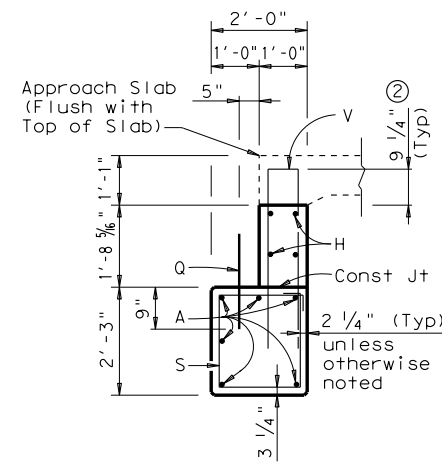
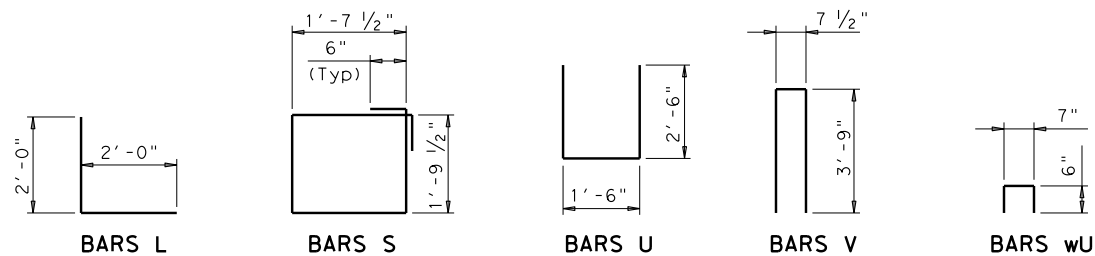


ELEVATION ~ DRILLED SHAFT ABUTMENT

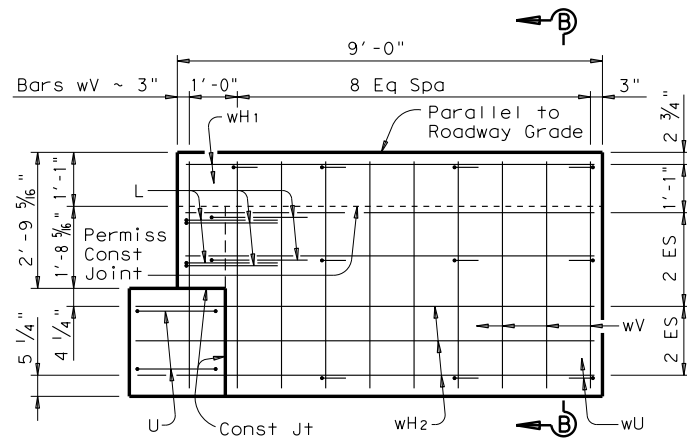


ELEVATION ~ PILING ABUTMENT

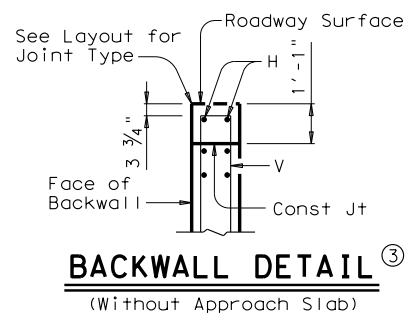
Note: For piling larger than 16", adjust Bars S and/or strip back piling as required to clear cap reinforcing.



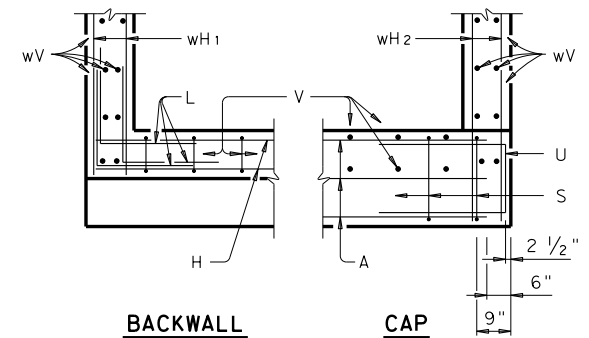
SECTION A-A (With Approach Slab)



WINGWALL ELEVATION



BACKWALL DETAIL (Without Approach Slab)



CORNER DETAILS

TABLE OF ESTIMATED QUANTITIES ①											
DRILLED SHAFT ABUT					PILING ABUTMENT						
Bar	No.	Size	Length	Weight	Bar	No.	Size	Length	Weight		
A	6	#11	25'-0"	797	A	6	#11	25'-0"	797		
H	4	#5	25'-8"	107	H	4	#5	25'-8"	107		
L	12	#6	4'-0"	72	L	12	#6	4'-0"	72		
Q	13	#6	1'-6"	29	Q	13	#6	1'-6"	29		
S	24	#5	7'-10"	196	S	25	#5	7'-10"	204		
U	4	#6	6'-6"	39	U	4	#6	6'-6"	39		
V	25	#5	8'-2"	213	V	25	#5	8'-2"	213		
wH1	12	#6	8'-8"	156	wH1	12	#6	8'-8"	156		
wH2	12	#6	9'-8"	174	wH2	12	#6	9'-8"	174		
wU	20	#4	1'-7"	21	wU	20	#4	1'-7"	21		
wV	40	#5	4'-9"	198	wV	40	#5	4'-9"	198		
Reinforcing Steel				Lb	2,002	Reinforcing Steel				Lb	2,010
Class "C" Concrete				CY	9.0	Class "C" Concrete				CY	9.0

- ① Quantities shown are for one Abutment only (with Approach Slab). With no Approach Slab, add 1.0 CY Class "C" concrete and 54 Lbs Reinforcing Steel for 2 additional H Bars.
- ② Increase as required to maintain 3 3/4" from Finished Grade.
- ③ See Layout to determine if Approach Slab is present.

GENERAL NOTES:
 Designed according to AASHTO LRFD Specifications. All cap and wall reinforcing shall be Grade 60. Concrete strength f'c = 3,600 psi. Designed for normal embankment header slope of 3:1. See Layout for foundation type, size and length. See standard FD for foundation details and notes. See standard CRR for riprap attachment details, if applicable. See rail details for rail anchorage cast in wingwalls. Calculated Foundation Loads: 49 Tons/Drilled Shaft 37 Tons/Pile

HL93 LOADING

Texas Department of Transportation Bridge Division Standard

ABUT FOR 40'-0" CONC SLAB AND GIRDER SPANS

24 FT ROADWAY

ACG-40-24

FILE: acg41ste.dgn	DN: TxDOT	CK: TxDOT	DW: TxDOT	CK: TxDOT
©TxDOT October 2005	CONT	SECT	JOB	HIGHWAY
REVISIONS				
	DIST	COUNTY	SHEET NO.	