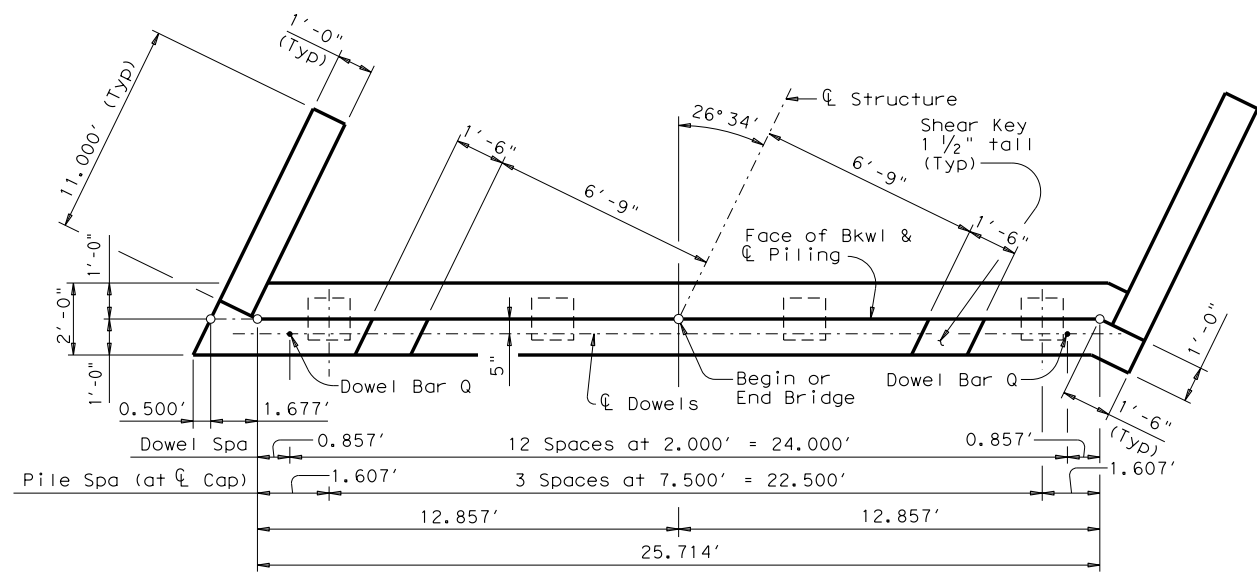
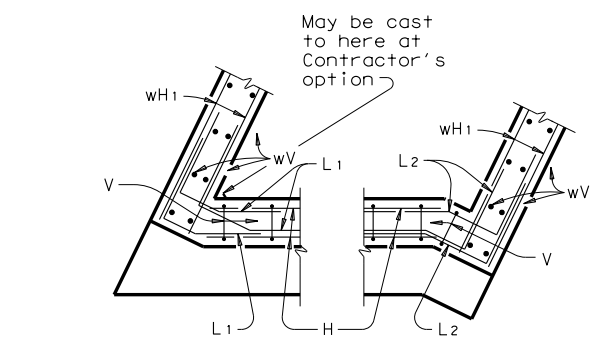


DISCLAIMER: The use of this standard is governed by the "Texas Engineering Practice Act". No warranty of any kind is made by TxDOT for any purpose whatsoever. TxDOT assumes no responsibility for the conversion of this standard to other formats or for incorrect results or damages resulting from its use.

DATE: FILE:

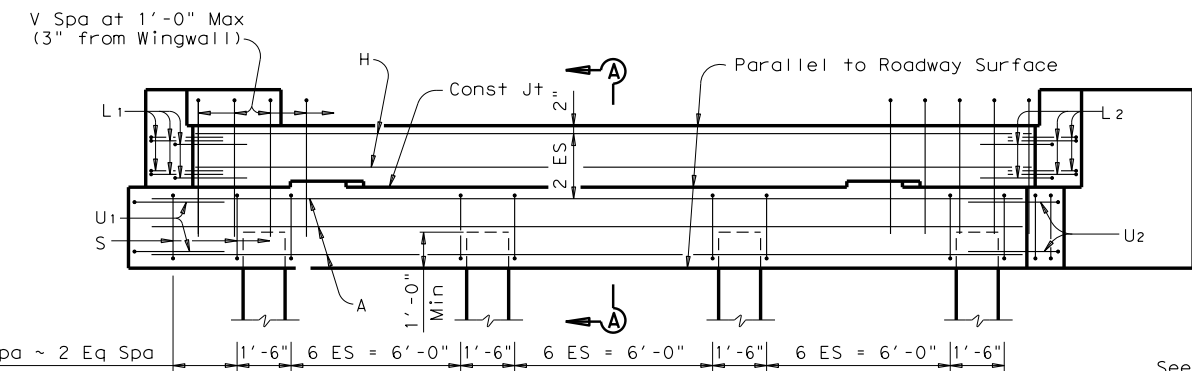


PLAN

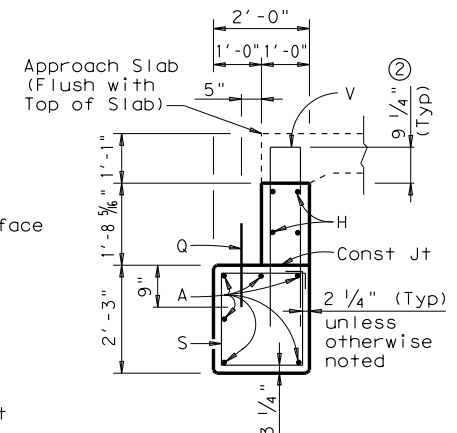


BACKWALL

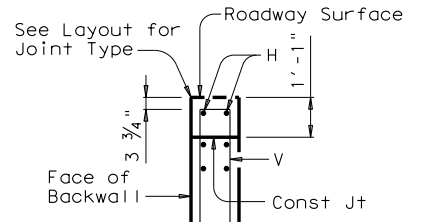
CORNER DETAILS



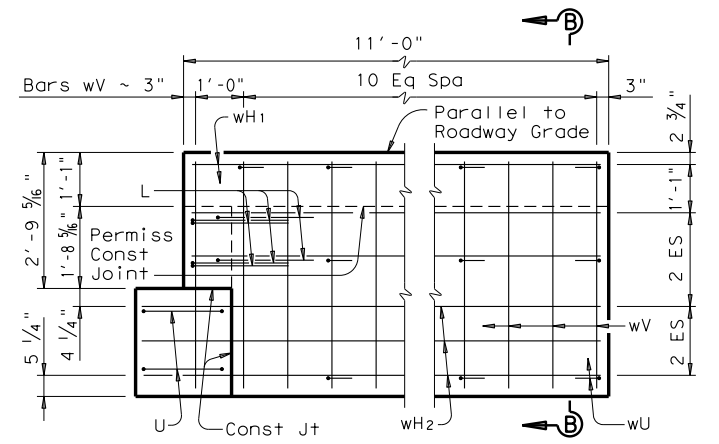
ELEVATION



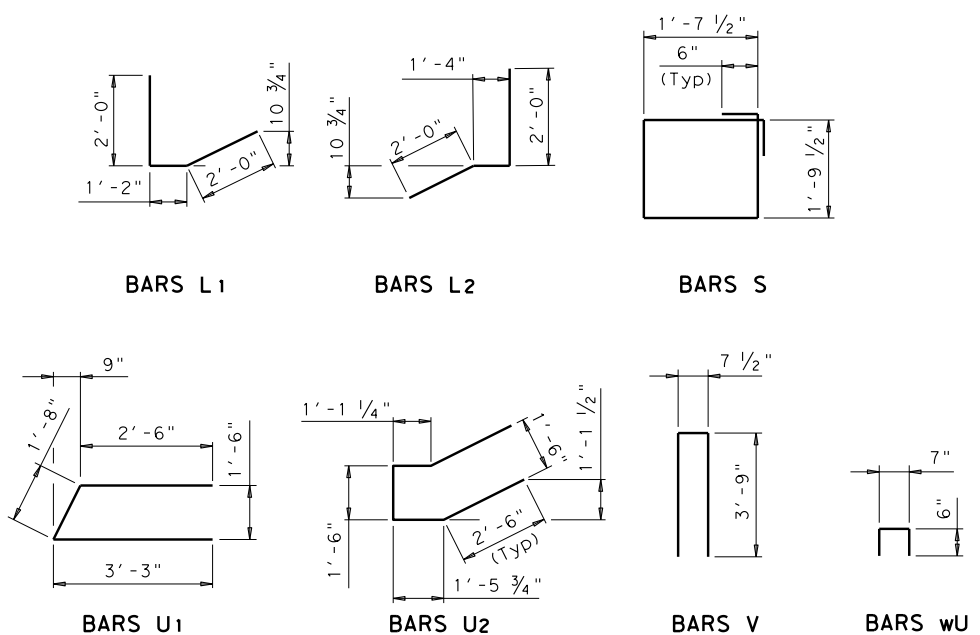
SECTION A-A



BACKWALL DETAIL



WINGWALL ELEVATION



GENERAL NOTES:

Designed according to AASHTO LRFD Specifications. Details shown are for right forward skew. See layout for actual skew direction. All cap and wall reinforcing shall be Grade 60. Concrete strength f'c = 3,600 psi. Designed for normal embankment header slope of 3:1. See Layout for foundation type, size and length. See standard FD for foundation details and notes. See standard CRR for riprap attachment details, if applicable. See rail details for rail anchorage cast in wingwalls. Calculated Foundation Load: 39 Tons/Pile

TABLE OF ESTIMATED QUANTITIES ①

Bar	No.	Size	Length	Weight	
A	6	#11	26'-10"	855	
H	4	#5	25'-8"	107	
L1	6	#6	5'-2"	47	
L2	6	#6	5'-4"	48	
Q	13	#6	1'-6"	29	
S	27	#5	7'-10"	221	
U1	2	#6	7'-5"	22	
U2	2	#6	9'-1"	27	
V	28	#5	8'-2"	239	
wH1	12	#6	10'-8"	192	
wH2	12	#6	11'-8"	210	
wU	20	#4	1'-7"	21	
wV	48	#5	4'-9"	238	
Reinforcing Steel				Lb	2,256
Class "C" Concrete				CY	10.5

- ① Quantities shown are for one Abutment only (with Approach Slab). With no Approach Slab, add 1.0 CY Class "C" concrete and 54 Lbs Reinforcing Steel for 2 additional H Bars.
- ② Increase as required to maintain 3 3/4" from Finished Grade.
- ③ See Layout to determine if Approach Slab is present.

HL93 LOADING

Texas Department of Transportation
 Bridge Division Standard

ABUT FOR 40'-0" CONC SLAB AND GIRDER SPANS (PILES)
 24 FT ROADWAY
 ACGP-40-24(26°34')

FILE: acg44ste.dgn	DN: TxDOT	CK: TxDOT	DW: TxDOT	CK: TxDOT
©TxDOT October 2005	CONT	SECT	JOB	HIGHWAY
REVISIONS				
DIST	COUNTY			SHEET NO.