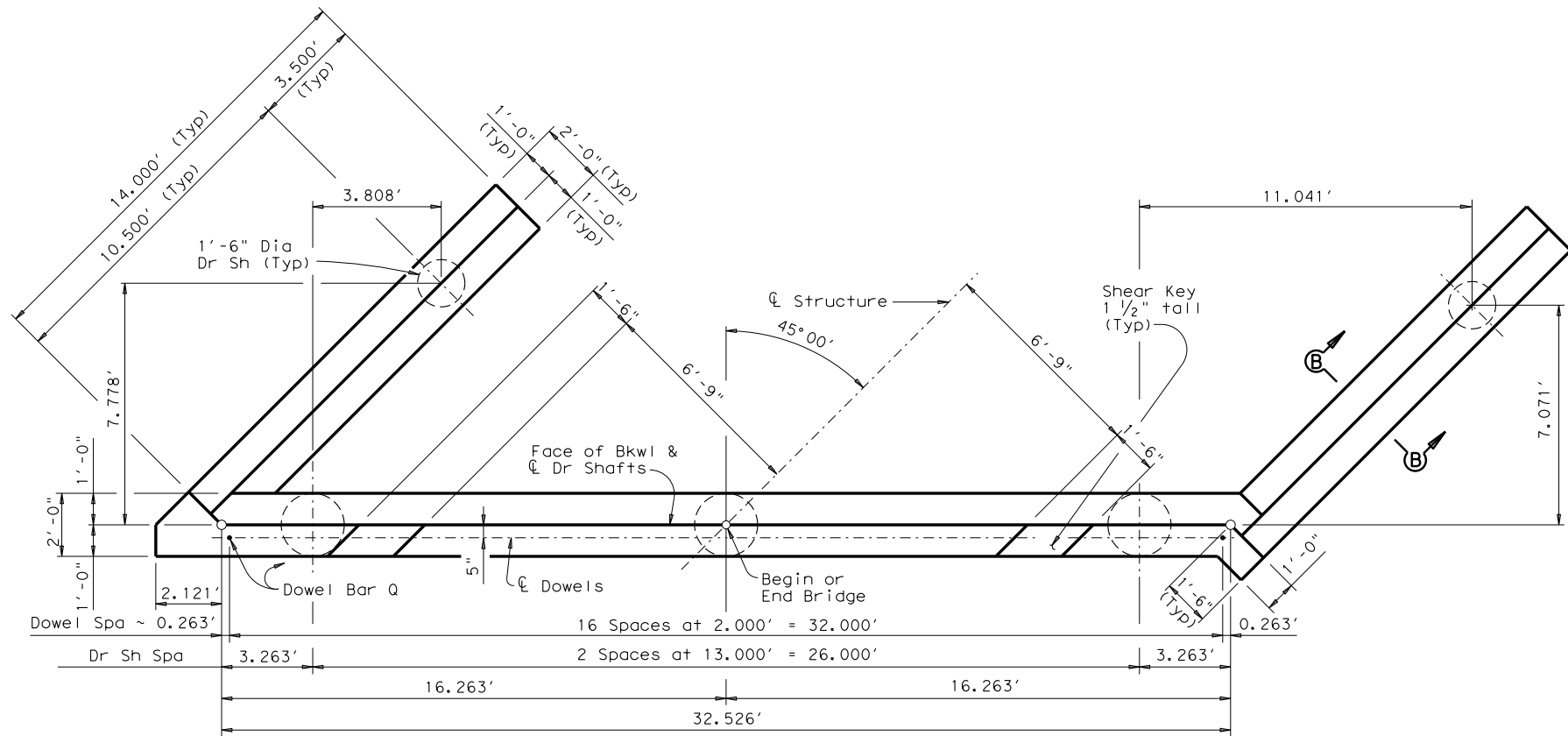
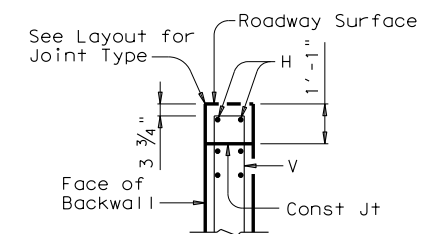


DISCLAIMER: The use of this standard is governed by the "Texas Engineering Practice Act". No warranty of any kind is made by TxDOT for any purpose whatsoever. TxDOT assumes no responsibility for the conversion of this standard to other formats or for incorrect results or damages resulting from its use.

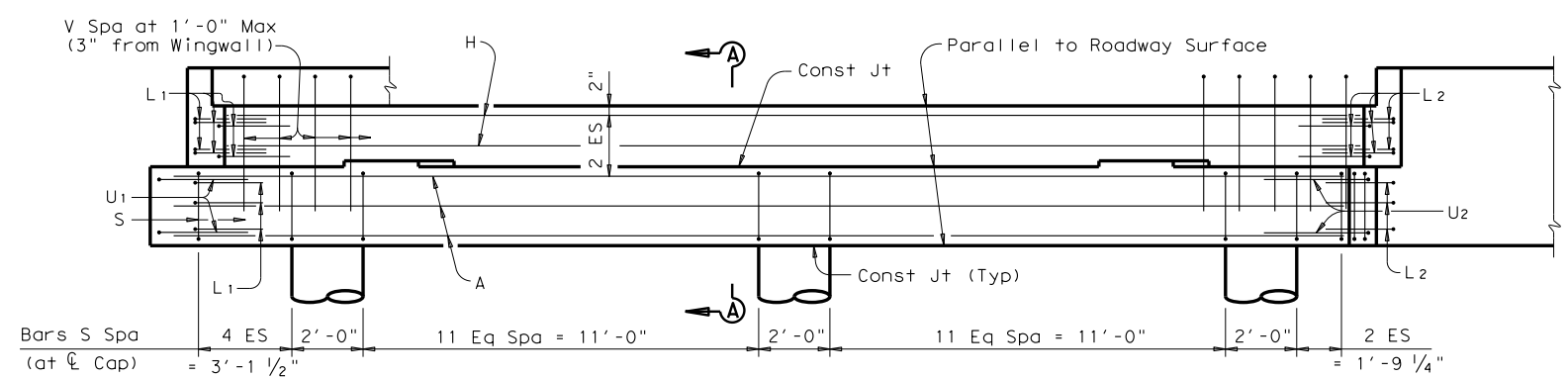
DATE: FILE:



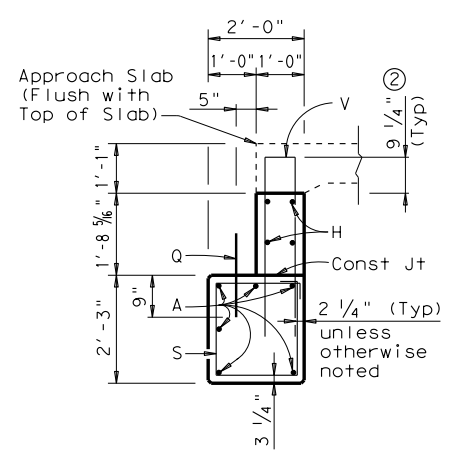
PLAN



BACKWALL DETAIL
(Without Approach Slab)



ELEVATION



SECTION A-A
(With Approach Slab)

TABLE OF ESTIMATED QUANTITIES

Bar	No.	Size	Length	Weight
A	6	#11	33'-7"	1,071
H	4	#5	32'-7"	136
L1	9	#6	5'-2"	70
L2	9	#6	5'-4"	72
Q	17	#6	1'-6"	38
S	34	#5	7'-10"	278
U1	2	#6	7'-8"	23
U2	2	#6	9'-0"	27
V	34	#5	8'-2"	290
wH	26	#6	13'-8"	534
wS	30	#5	7'-5"	232
wV	30	#5	8'-4"	261
Reinforcing Steel				Lb 3,032
Class "C" Concrete				CY 15.3

- ① Quantities shown are for one Abutment only (with Approach Slab). With no Approach Slab, add 1.3 CY Class "C" concrete and 68 Lbs Reinforcing Steel for 2 additional H Bars.
- ② Increase as required to maintain 3/4" from Finished Grade.
- ③ See Layout to determine if Approach Slab is present.

GENERAL NOTES:
 Designed according to AASHTO LRFD Specifications. Details shown are for right forward skew. See layout for actual skew direction.
 All cap and wall reinforcing shall be Grade 60. Concrete strength $f'_c = 3,600$ psi.
 Designed for normal embankment header slope of 3:1.
 See Layout for foundation type, size and length. See standard FD for foundation details and notes. See standard CRR for riprap attachment details, if applicable.
 See rail details for rail anchorage cast in wingwalls.
 Calculated Foundation Load: 58 Tons/Drilled Shaft

HL93 LOADING SHEET 1 OF 2

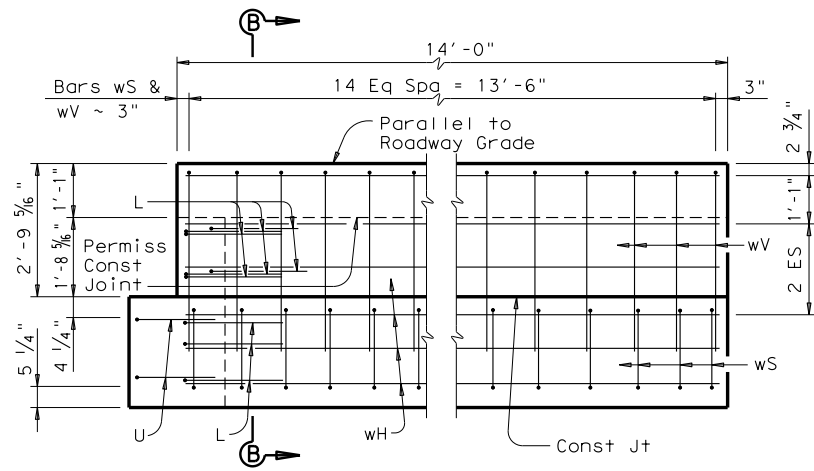


ABUT FOR 40'-0" CONC SLAB AND GIRDER SPANS (DRILLED SHAFTS) 24 FT ROADWAY

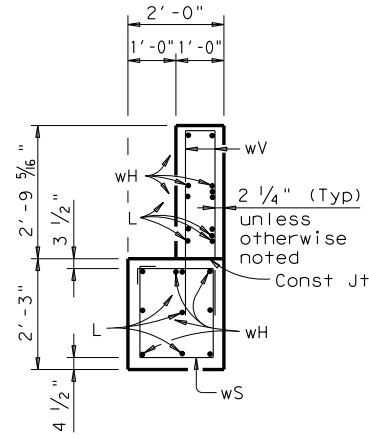
ACGD-40-24(45°00')

FILE: acg47ste.dgn	DN: TxDOT	CK: TxDOT	DW: TxDOT	CK: TxDOT
October 2005	CONT	SECT	JOB	HIGHWAY
REVISIONS				
DIST	COUNTY			SHEET NO.

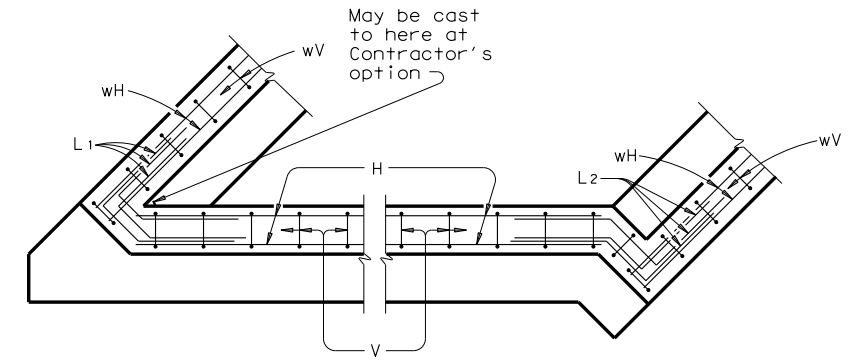
DISCLAIMER: The use of this standard is governed by the "Texas Engineering Practice Act". No warranty of any kind is made by TxDOT for any purpose whatsoever. TxDOT assumes no responsibility for the conversion of this standard to other formats or for incorrect results or damages resulting from its use.



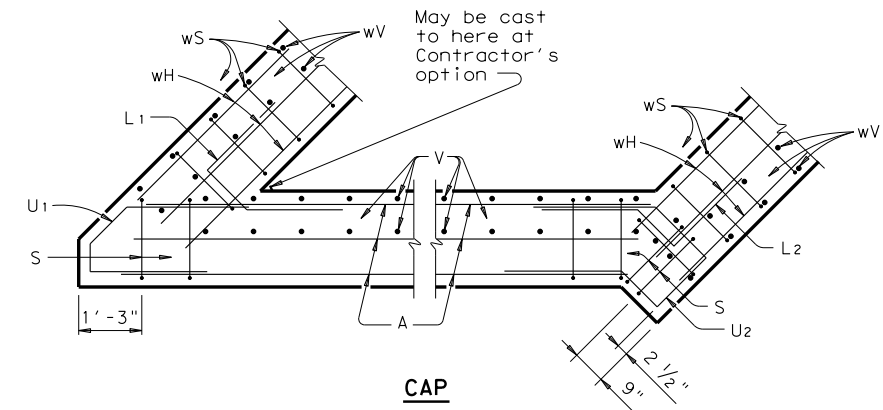
WINGWALL ELEVATION



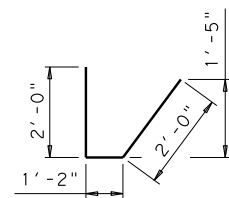
SECTION B-B



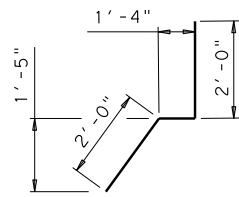
BACKWALL



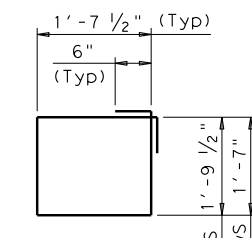
CORNER DETAILS



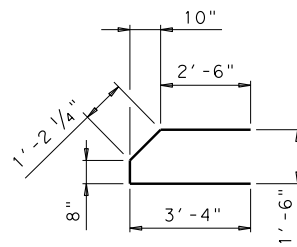
BARS L1



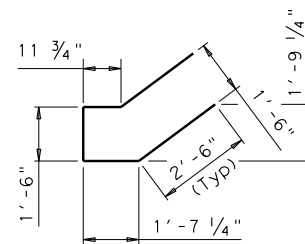
BARS L2



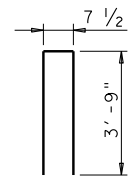
BARS S & wS



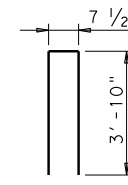
BARS U1



BARS U2



BARS V



BARS wV

HL93 LOADING

SHEET 2 OF 2



ABUT FOR 40'-0" CONC SLAB AND GIRDER SPANS (DRILLED SHAFTS) 24 FT ROADWAY

ACGD-40-24(45°00')

FILE: acg47ste.dgn	DN: TxDOT	CK: TxDOT	DW: TxDOT	CK: TxDOT
©TxDOT October 2005	CONT	SECT	JOB	HIGHWAY
REVISIONS				
DIST	COUNTY			SHEET NO.

DATE:
FILE: