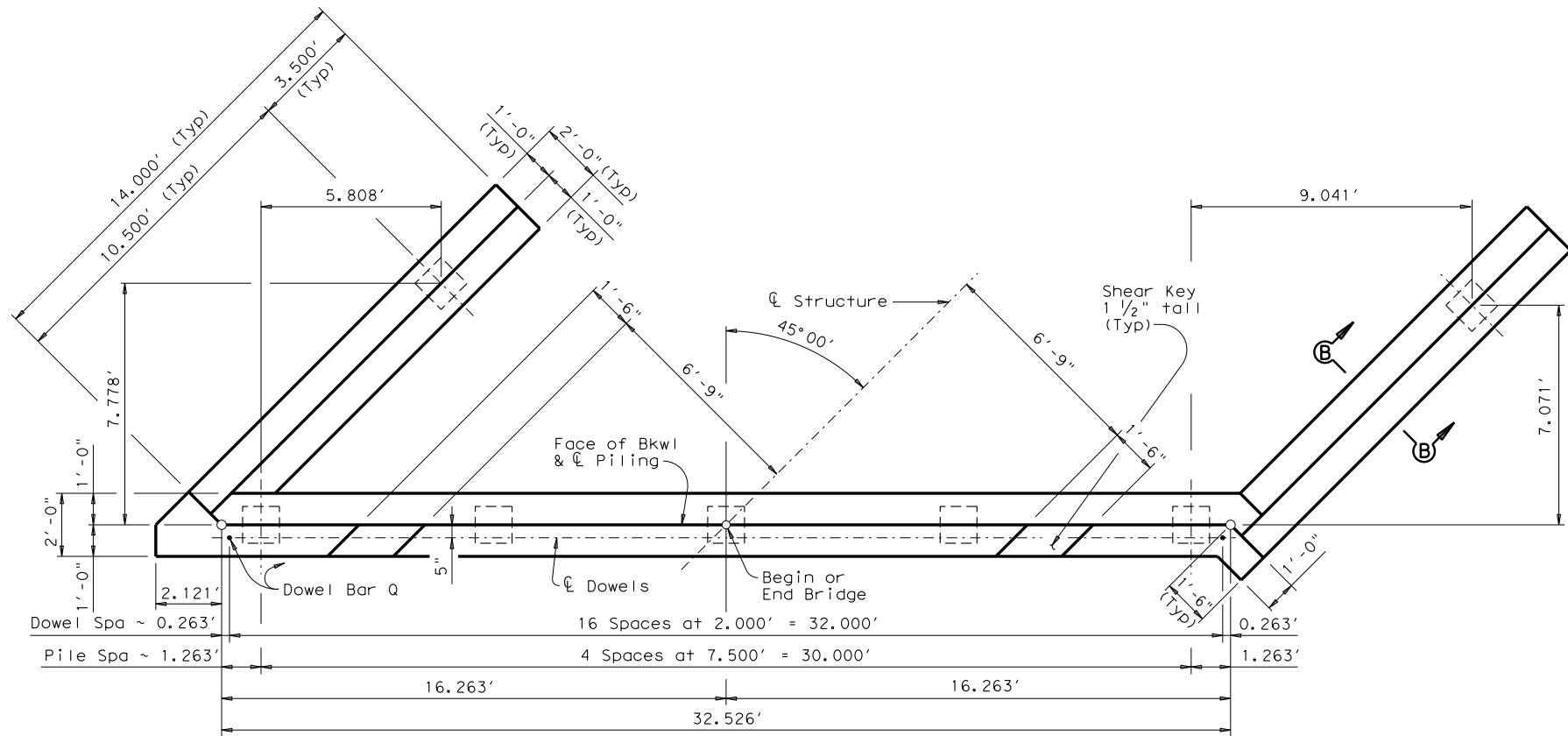
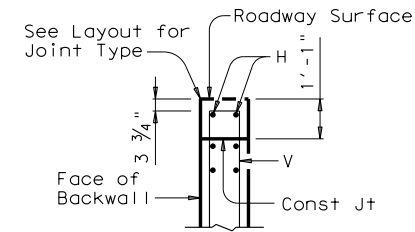


DISCLAIMER: The use of this standard is governed by the "Texas Engineering Practice Act". No warranty of any kind is made by TxDOT for any purpose whatsoever. TxDOT assumes no responsibility for the conversion of this standard to other formats or for incorrect results or damages resulting from its use.

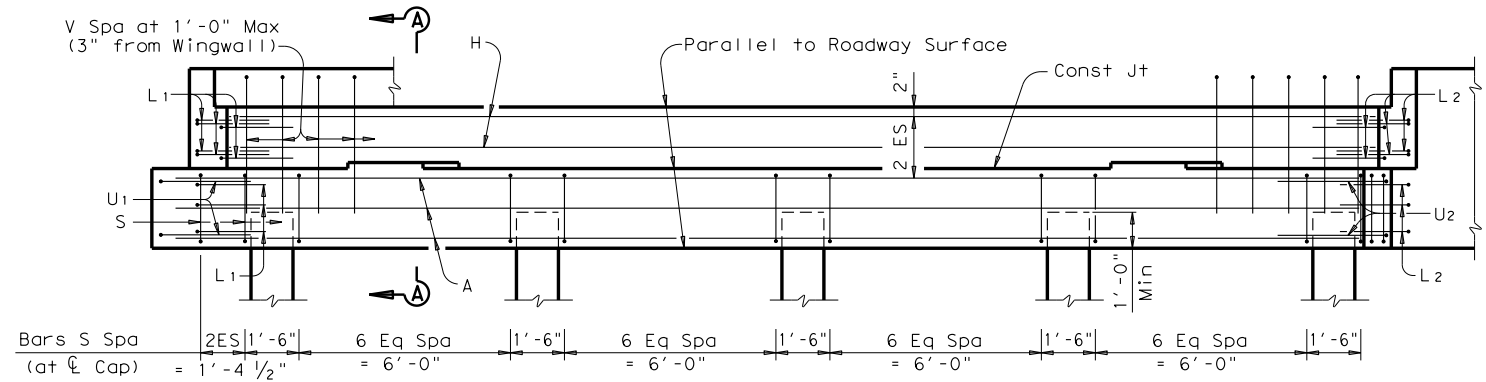
DATE: FILE:



**PLAN**

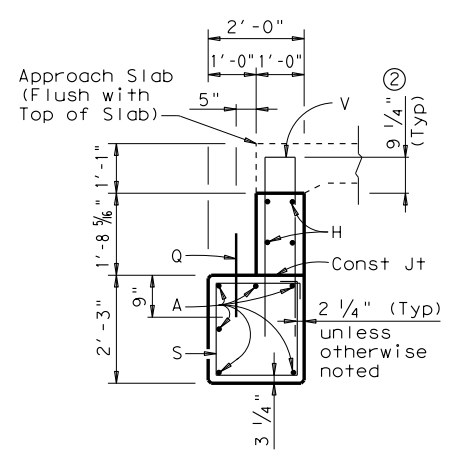


**BACKWALL DETAIL**  
(Without Approach Slab)



**ELEVATION**

Note: For piling larger than 16", adjust Bars S and/or strip back piling as required to clear cap reinforcing.



**SECTION A-A**  
(With Approach Slab)

**TABLE OF ESTIMATED QUANTITIES**

Bar	No.	Size	Length	Weight	
A	6	#11	33' - 7"	1,071	
H	4	# 5	32' - 7"	136	
L1	9	# 6	5' - 2"	70	
L2	9	# 6	5' - 4"	72	
Q	17	# 6	1' - 6"	38	
S	34	# 5	7' - 10"	278	
U1	2	# 6	7' - 8"	23	
U2	2	# 6	9' - 0"	27	
V	34	# 5	8' - 2"	290	
wH	26	# 6	13' - 8"	534	
wS	30	# 5	7' - 5"	232	
wV	30	# 5	8' - 4"	261	
Reinforcing Steel				Lb	3,032
Class "C" Concrete				CY	15.3

- Quantities shown are for one Abutment only (with Approach Slab). With no Approach Slab, add 1.3 CY Class "C" concrete and 68 Lbs Reinforcing Steel for 2 additional H Bars.
- Increase as required to maintain 3 3/4" from Finished Grade.
- See Layout to determine if Approach Slab is present.

**GENERAL NOTES:**  
 Designed according to AASHTO LRFD Specifications. Details shown are for right forward skew. See layout for actual skew direction.  
 All cap and wall reinforcing shall be Grade 60. Concrete strength f'c = 3,600 psi.  
 Designed for normal embankment header slope of 3:1.  
 See Layout for foundation type, size and length. See standard FD for foundation details and notes. See standard CRR for riprap attachment details, if applicable.  
 See rail details for rail anchorage cast in wingwalls.  
 Calculated Foundation Load: Cap ~ 35 Tons/Pile  
 Wingwall ~ 10 Tons/Pile

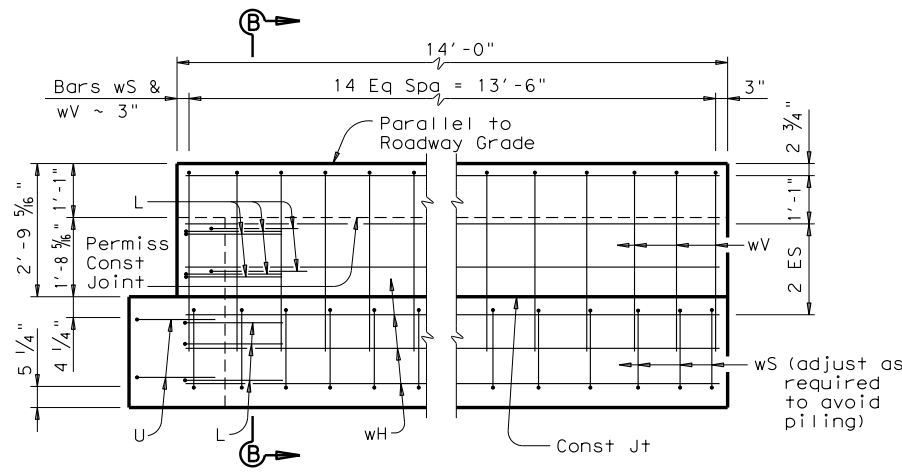
HL93 LOADING SHEET 1 OF 2



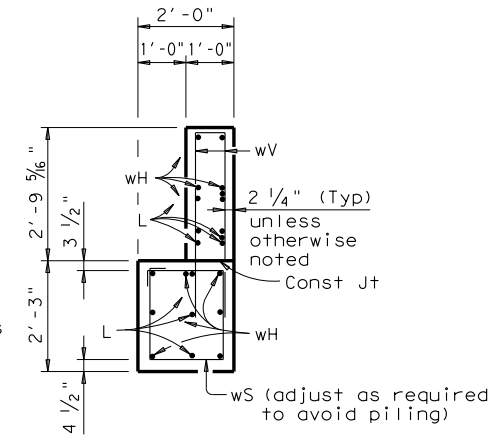
**ABUT FOR 40'-0" CONC SLAB AND GIRDER SPANS (PILES)**  
**24 FT ROADWAY**  
**ACGP-40-24(45°00')**

FILE: acg48ste.dgn	DN: TxDOT	CK: TxDOT	DW: TxDOT	CK: TxDOT
©TxDOT October 2005	CONT	SECT	JOB	HIGHWAY
REVISIONS				
DIST	COUNTY			SHEET NO.

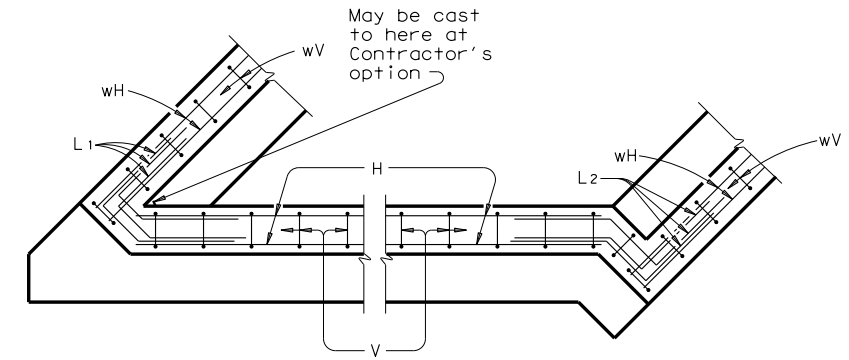
DISCLAIMER: The use of this standard is governed by the "Texas Engineering Practice Act". No warranty of any kind is made by TxDOT for any purpose whatsoever. TxDOT assumes no responsibility for the conversion of this standard to other formats or for incorrect results or damages resulting from its use.



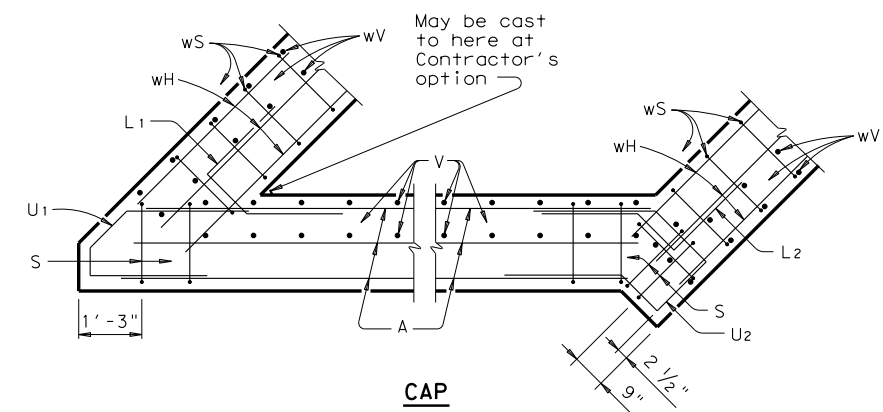
**WINGWALL ELEVATION**



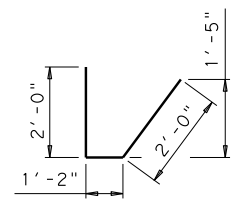
**SECTION B-B**



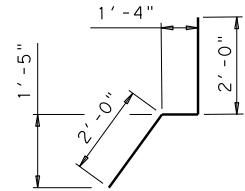
**BACKWALL**



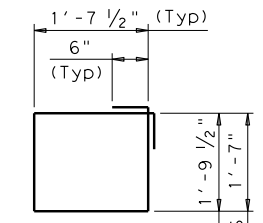
**CORNER DETAILS**



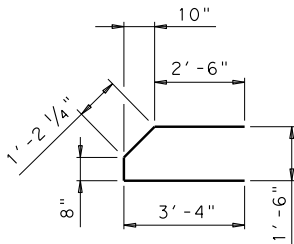
**BARS L1**



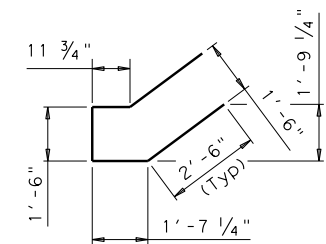
**BARS L2**



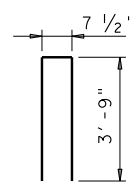
**BARS S & wS**



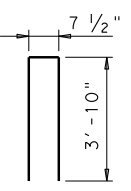
**BARS U1**



**BARS U2**



**BARS V**



**BARS wV**

HL93 LOADING

SHEET 2 OF 2



**ABUT FOR 40'-0" CONC SLAB AND GIRDER SPANS (PILES)**  
**24 FT ROADWAY**

**ACGP-40-24(45°00')**

FILE: acg48ste.dgn	DN: TxDOT	CK: TxDOT	DW: TxDOT	CK: TxDOT
©TxDOT October 2005	CONT	SECT	JOB	HIGHWAY
REVISIONS				
DIST	COUNTY			SHEET NO.

DATE:  
FILE: