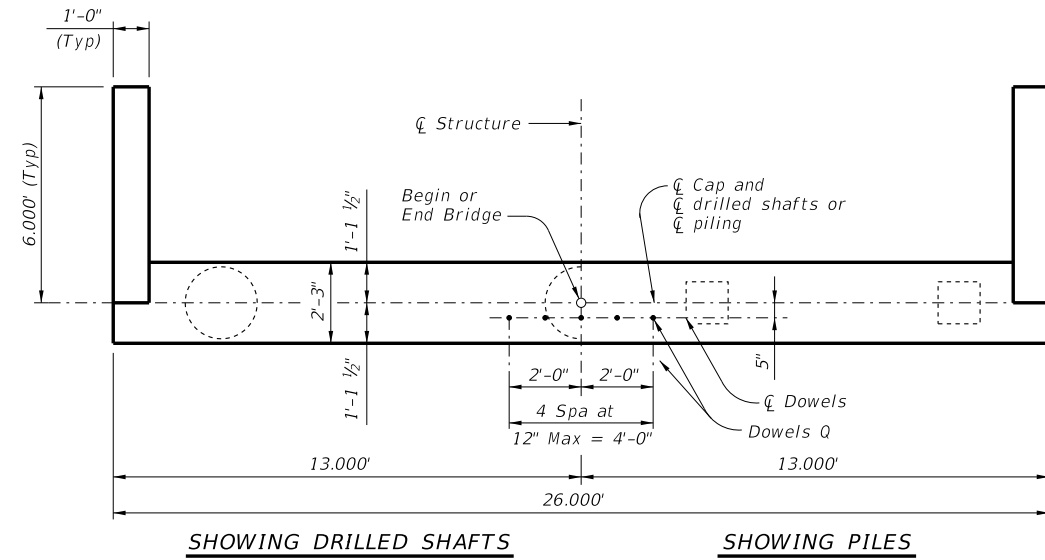
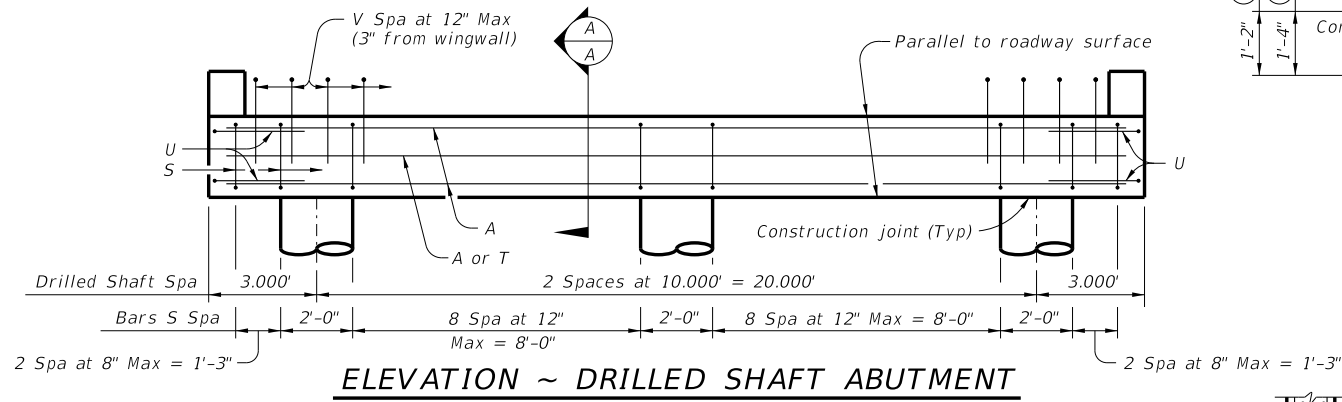


DISCLAIMER: The use of this standard is governed by the "Texas Engineering Practice Act". No warranty of any kind is made by TxDOT for any purpose whatsoever. TxDOT assumes no responsibility for the conversion of this standard to other formats or for incorrect results or damages resulting from its use.

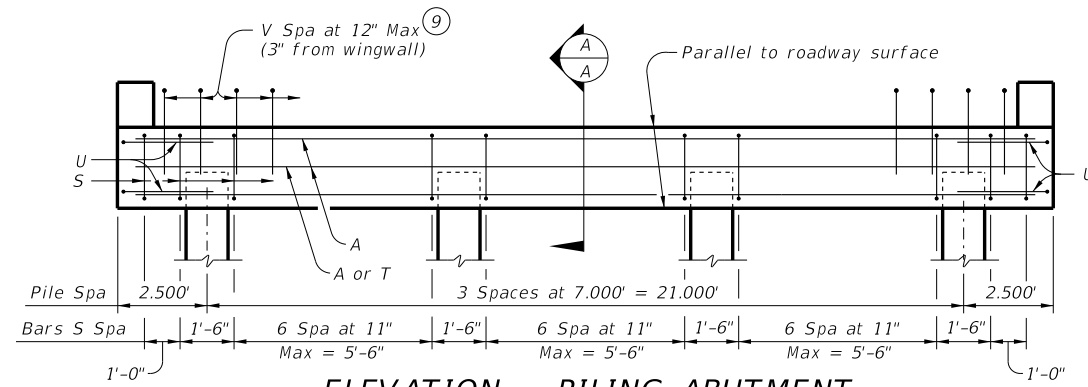
DATE: FILE:



SHOWING DRILLED SHAFTS
SHOWING PILES
PLAN

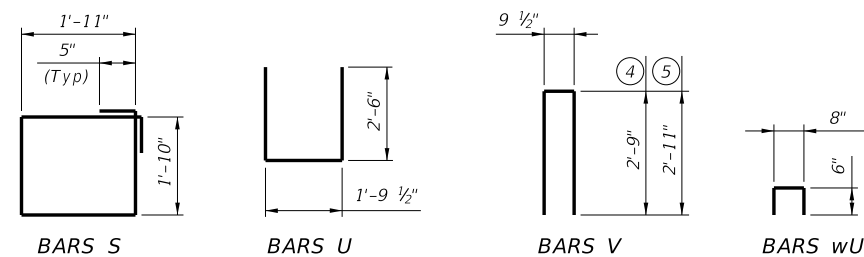


ELEVATION ~ DRILLED SHAFT ABUTMENT



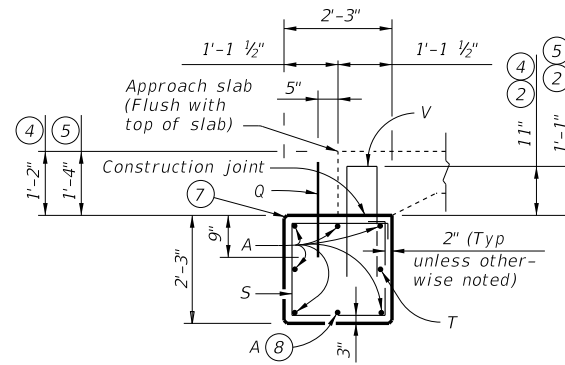
ELEVATION ~ PILING ABUTMENT

Note: For piling larger than 16", adjust Bars S as required to avoid piling.

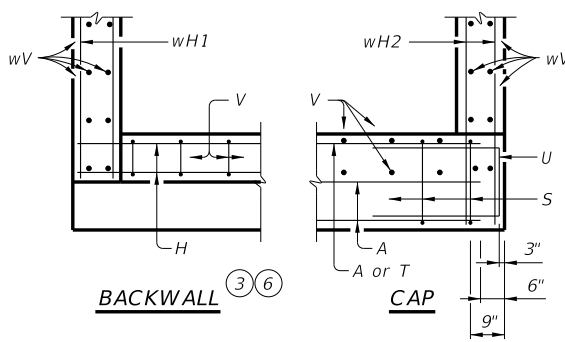


BARS S BARS U BARS V BARS wU

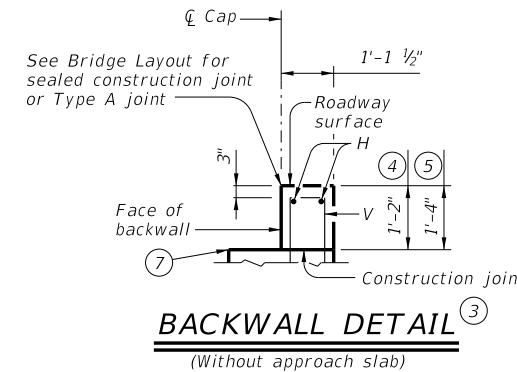
- ① Quantities shown are for one abutment only (with approach slab). Without approach slab, add 54 Lbs reinforcing steel for 2 - #5 Bars H (25'-8") and the following amounts of concrete: 14" slab thickness add 1.2 CY Class "C" Concrete. 16" slab thickness add 1.3 CY Class "C" Concrete.
- ② Increase as required to maintain 3" from finished grade.
- ③ See Bridge Layout to determine if approach slab is present.
- ④ Use with 14" slab thickness.
- ⑤ Use with 16" slab thickness.
- ⑥ Omit Bars H if approach slab is present.
- ⑦ See CS-MD standard for preformed bituminous fiber material.
- ⑧ Omit bottom center Bar A for Piling Abutment.
- ⑨ Field bend as needed to clear piles.
- ⑩ Spacing based on slab depth 14" ~ 2 spaces at 8" Max. 16" ~ 2 spaces at 9" Max.



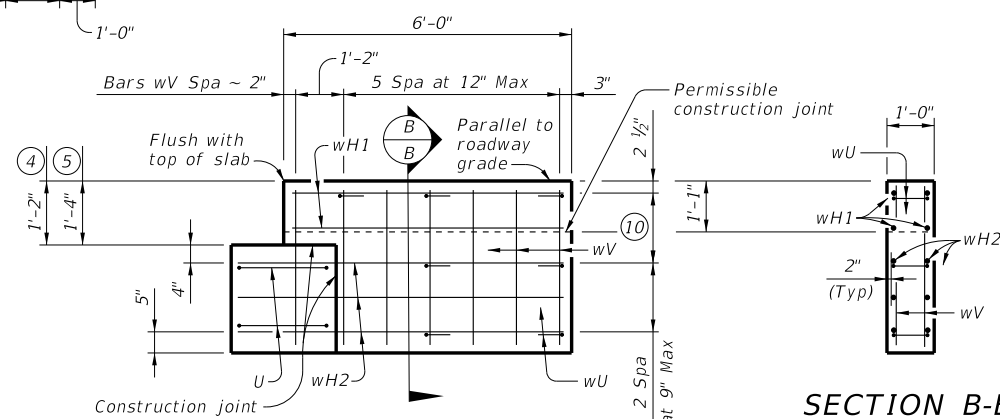
SECTION A-A
(With approach slab)



CORNER DETAILS



BACKWALL DETAIL
(Without approach slab)



WINGWALL ELEVATION

SECTION B-B

14" SLAB ~ TABLE OF ESTIMATED QUANTITIES ^①											
DRILLED SHAFT ABUT					PILING ABUTMENT						
Bar	No.	Size	Length	Weight	Bar	No.	Size	Length	Weight		
A	7	#11	25'-0"	930	A	6	#11	25'-0"	797		
Q	5	#6	1'-6"	11	Q	5	#6	1'-6"	11		
S	24	#4	8'-4"	134	S	25	#4	8'-4"	139		
T	1	#5	25'-0"	26	T	1	#5	25'-0"	26		
U	4	#6	6'-10"	41	U	4	#6	6'-10"	41		
V	25	#5	6'-4"	165	V	25	#5	6'-4"	165		
wH1	8	#6	5'-8"	68	wH1	8	#6	5'-8"	68		
wH2	12	#6	6'-10"	123	wH2	12	#6	6'-10"	123		
wU	14	#4	1'-8"	16	wU	14	#4	1'-8"	16		
wV	28	#5	3'-1"	90	wV	28	#5	3'-1"	90		
Reinforcing Steel				Lb	1,604	Reinforcing Steel				Lb	1,476
Cl "C" Conc (Abut)				CY	6.2	Cl "C" Conc (Abut)				CY	6.2

16" SLAB ~ TABLE OF ESTIMATED QUANTITIES ^①											
DRILLED SHAFT ABUT					PILING ABUTMENT						
Bar	No.	Size	Length	Weight	Bar	No.	Size	Length	Weight		
A	7	#11	25'-0"	930	A	6	#11	25'-0"	797		
Q	5	#6	1'-6"	11	Q	5	#6	1'-6"	11		
S	24	#4	8'-4"	134	S	25	#4	8'-4"	139		
T	1	#5	25'-0"	26	T	1	#5	25'-0"	26		
U	4	#6	6'-10"	41	U	4	#6	6'-10"	41		
V	25	#5	6'-8"	174	V	25	#5	6'-8"	174		
wH1	8	#6	5'-8"	68	wH1	8	#6	5'-8"	68		
wH2	12	#6	6'-10"	123	wH2	12	#6	6'-10"	123		
wU	14	#4	1'-8"	16	wU	14	#4	1'-8"	16		
wV	28	#5	3'-3"	95	wV	28	#5	3'-3"	95		
Reinforcing Steel				Lb	1,618	Reinforcing Steel				Lb	1,490
Cl "C" Conc (Abut)				CY	6.3	Cl "C" Conc (Abut)				CY	6.3

MATERIAL NOTES:
Provide Class C concrete (f'c = 3,600 psi).
Provide Class C (HPC) concrete if shown elsewhere in the plans.
Provide Grade 60 reinforcing steel.

GENERAL NOTES:
Designed according to AASHTO LRFD Bridge Design Specifications.
Designed for normal embankment header slope of 3:1.
See Bridge Layout for foundation type, size and length.
See Common Foundation Details (FD) standard sheet for foundation details and notes.
See Concrete Riprap (CRR) standard sheet or Stone Riprap (SRR) standard sheets for riprap attachment details, if applicable.
See applicable rail details for anchorage in wingwalls.
See Miscellaneous Details for C-I-P Concrete Slab Spans (CS-MD) standard sheet for joint details and details not shown.
Calculated foundation loads: 35 Tons/drilled shaft 25 Tons/pile.
These abutment details may be used with standards CS-25-24, CS-50-24, CS-75-24, and CS-80-24 only.

Cover dimensions are clear dimensions, unless noted otherwise.
Reinforcing bar dimensions shown are out-to-out of bar.

HL93 LOADING

Texas Department of Transportation
Bridge Division Standard

ABUTMENTS FOR C-I-P CONC SLAB SPANS

24 FT ROADWAY

ACS-24

FILE: acs01ste-21.dgn	DN: HTP	CK: SDC	DW: LJC	CK: TAR
©TxDOT	CON: July 2021	SECT:	JOB:	HIGHWAY:
REVISIONS				
	DIST:	COUNTY:		SHEET NO.: