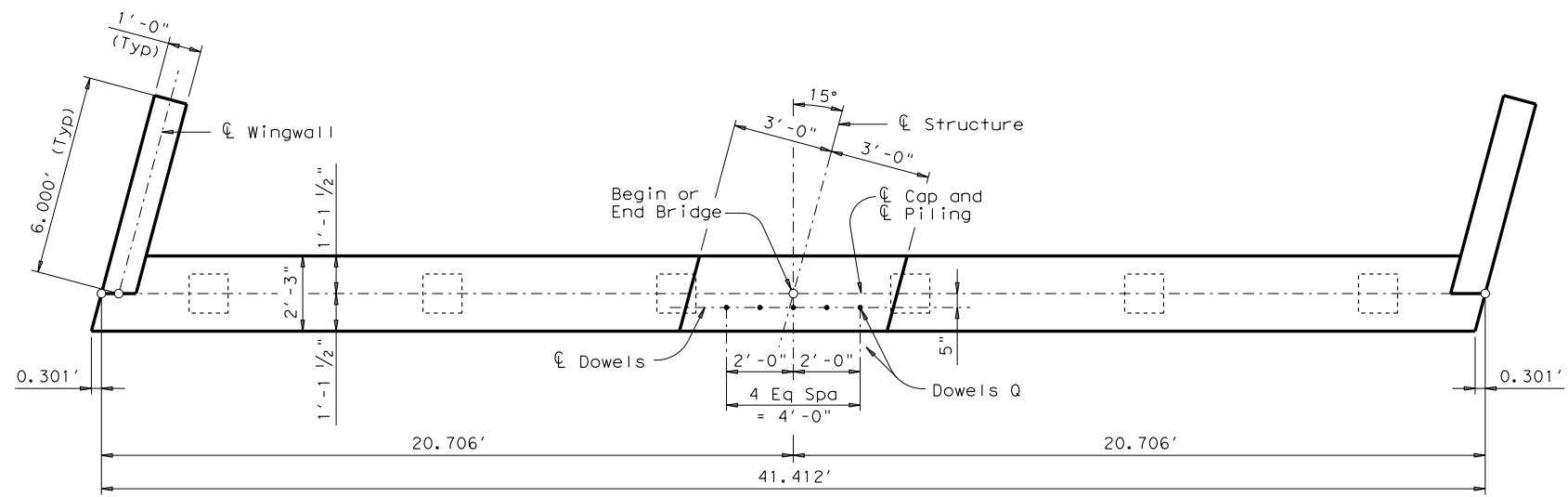
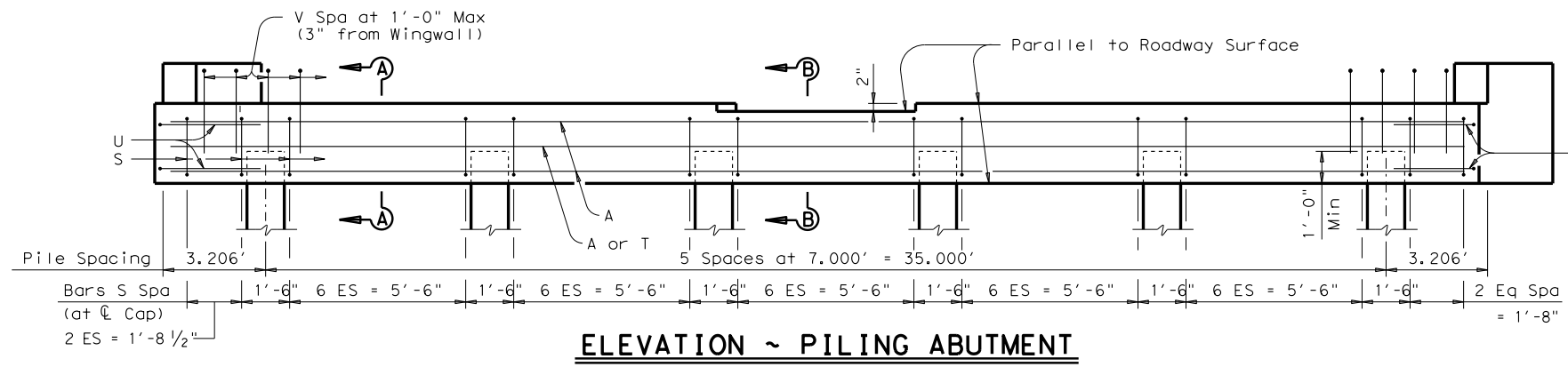


DISCLAIMER: The use of this standard is governed by the "Texas Engineering Practice Act". No warranty of any kind is made by TxDOT for any purpose whatsoever. TxDOT assumes no responsibility for the conversion of this standard to other formats or for incorrect results or damages resulting from its use.

DATE: FILE:

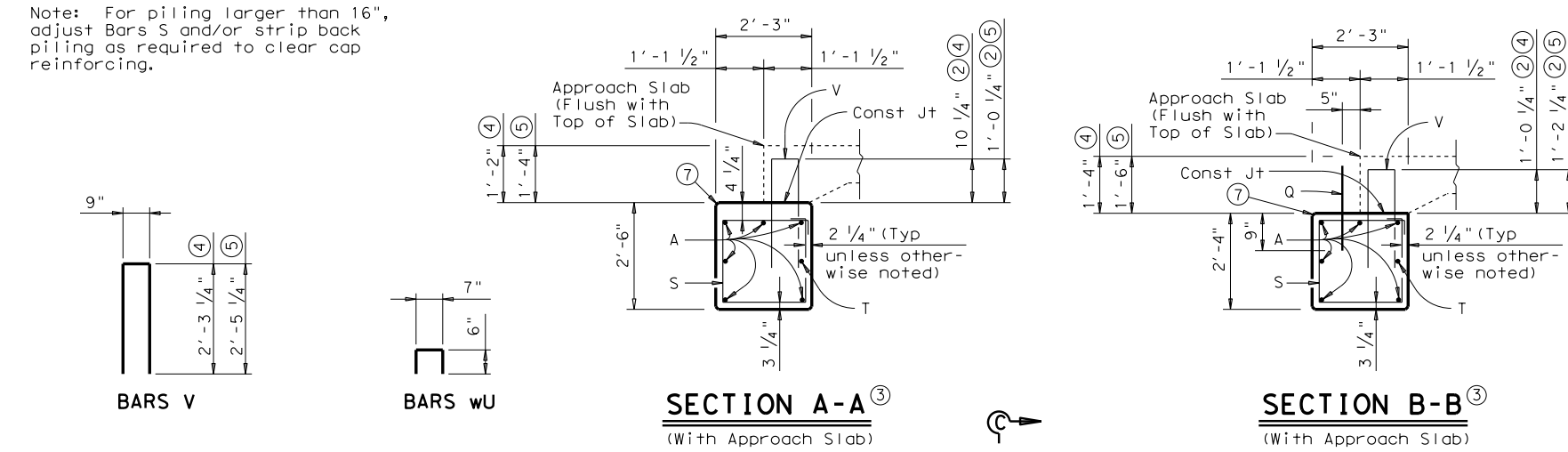


PLAN



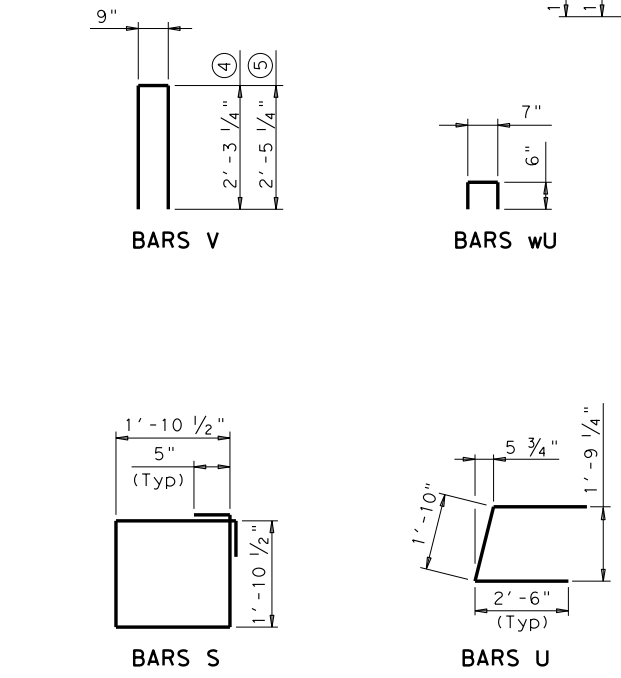
ELEVATION ~ PILING ABUTMENT

Note: For piling larger than 16", adjust Bars S and/or strip back piling as required to clear cap reinforcing.



SECTION A-A
(With Approach Slab)

SECTION B-B
(With Approach Slab)

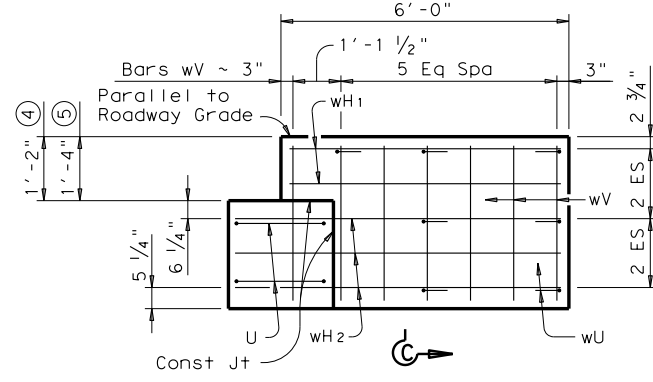


BARS V

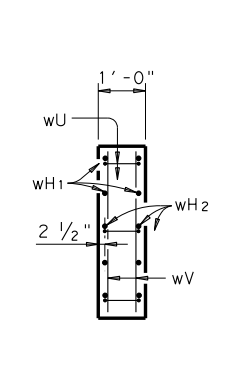
BARS wU

BARS S

BARS U

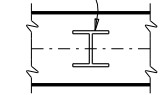


WINGWALL ELEVATION

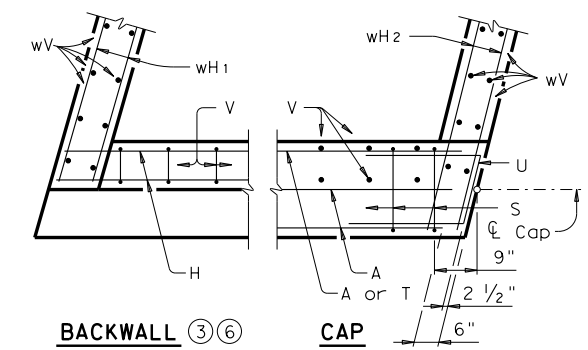


SECTION C-C

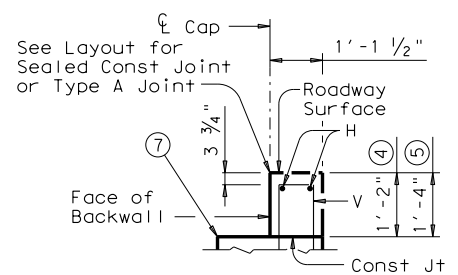
Steel H piling (extend a Min 1'-0" into cap)



ORIENTATION OF STEEL H PILING



CORNER DETAILS



BACKWALL DETAIL
(Without Approach Slab)

TABLE OF ESTIMATED QUANTITIES ①											
14" SLAB					16" SLAB						
Bar	No.	Size	Length	Weight	Bar	No.	Size	Length	Weight		
A	6	#11	40'-5"	1,288	A	6	#11	40'-5"	1,288		
Q	5	#6	1'-6"	11	Q	5	#6	1'-6"	11		
S	41	#4	8'-4"	228	S	41	#4	8'-4"	228		
T	1	#5	40'-5"	42	T	1	#5	40'-5"	42		
U	4	#6	6'-10"	41	U	4	#6	6'-10"	41		
V	40	#5	5'-4"	223	V	40	#5	5'-8"	236		
wH1	8	#6	5'-8"	68	wH1	8	#6	5'-8"	68		
wH2	12	#6	6'-10"	123	wH2	12	#6	6'-10"	123		
wU	14	#4	1'-7"	15	wU	14	#4	1'-7"	15		
wV	28	#5	3'-4"	97	wV	28	#5	3'-6"	102		
Reinforcing Steel				Lb	2,136	Reinforcing Steel				Lb	2,154
Class "C" Concrete				CY	10.0	Class "C" Concrete				CY	10.0

- ① Quantities shown are for one Abutment only (with Approach Slab). With no Approach Slab, add 86 Lbs Reinforcing Steel for 2 ~ #5 Bars H (41'-1") and the following amounts of concrete:
14" slab thickness add 1.9 CY Class "C" Concrete.
16" slab thickness add 2.2 CY Class "C" Concrete.
- ② Increase as required to maintain 3 3/4" from Finished Grade.
- ③ See Layout to determine if Approach Slab is present.
- ④ Use with 14" slab thickness.
- ⑤ Use with 16" slab thickness.
- ⑥ Omit Bars H if Approach Slab is present.
- ⑦ See standard CS-MD for Preformed Bituminous Fiber Material.

GENERAL NOTES:
Designed according to AASHTO LRFD Specifications. Details shown are for right forward skew. See layout for actual skew direction.
All cap and wall reinforcing shall be Grade 60. Concrete strength $f'c = 3,600$ psi.
Designed for normal embankment header slope of 3:1. See Layout for foundation size and length. See standard FD for foundation details and notes. See standard CS-MD for joint details and details not shown.
Calculated Foundation Loads: 25 Tons/Pile. These abutment details may be used with standards CS-25-38, CS-50-38-15, CS-75-38-15 and CS-80-38-15 only.

HL93 LOADING

Texas Department of Transportation		Bridge Division Standard	
ABUTMENTS FOR C-I-P CONC SLAB SPANS (PILES)			
38 FT ROADWAY		15° SKEW	
ACSP-38-15			
FILE: acs16ste.dgn	DN: TxDOT	CK: TxDOT	OW: TxDOT
©TxDOT March 2009	CONT	SECT	JOB
REVISIONS			HIGHWAY
	DIST	COUNTY	SHEET NO.