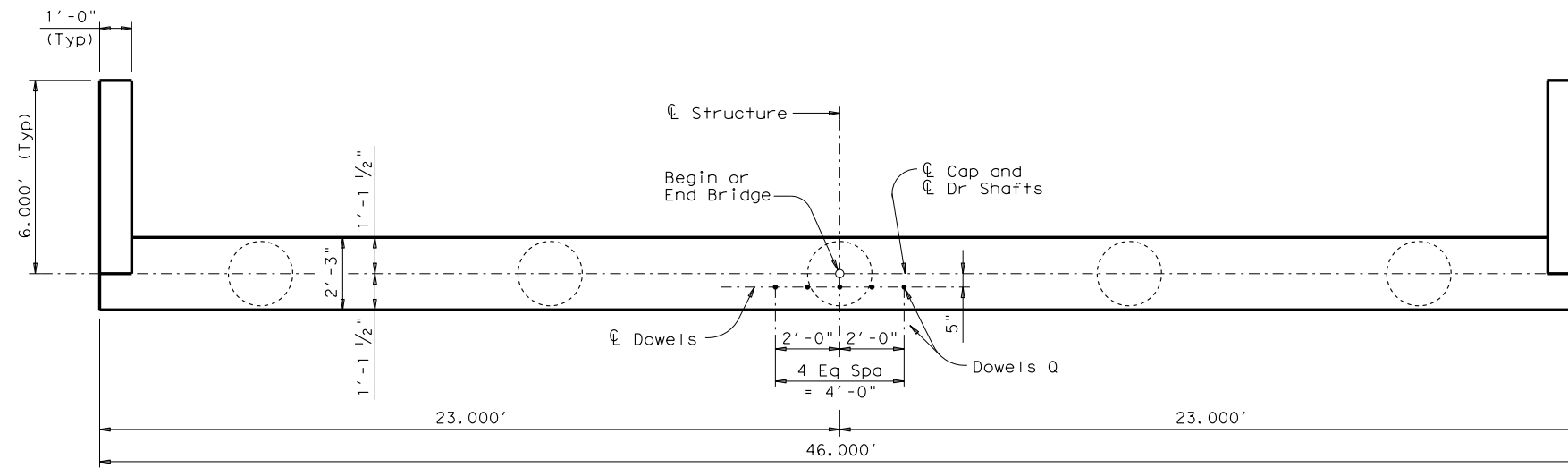
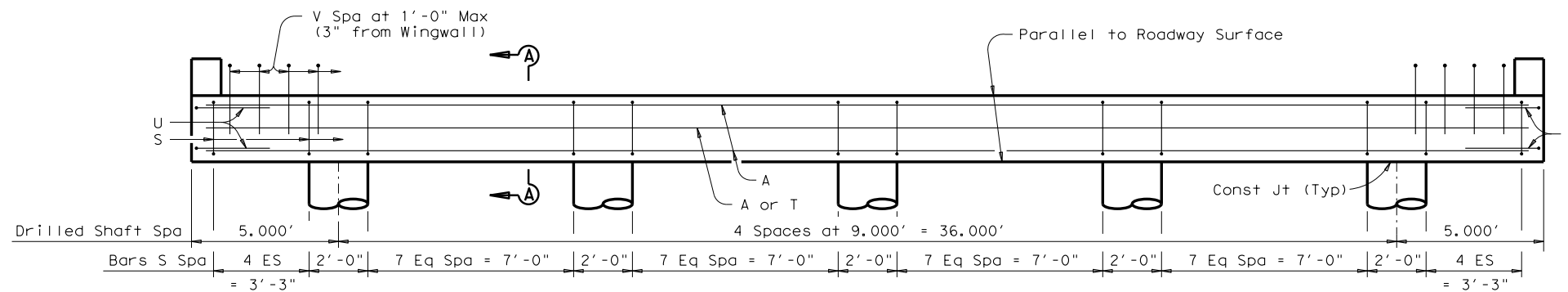


DISCLAIMER: The use of this standard is governed by the "Texas Engineering Practice Act". No warranty of any kind is made by TxDOT for any purpose whatsoever. TxDOT assumes no responsibility for the conversion of this standard to other formats or for incorrect results or damages resulting from its use.

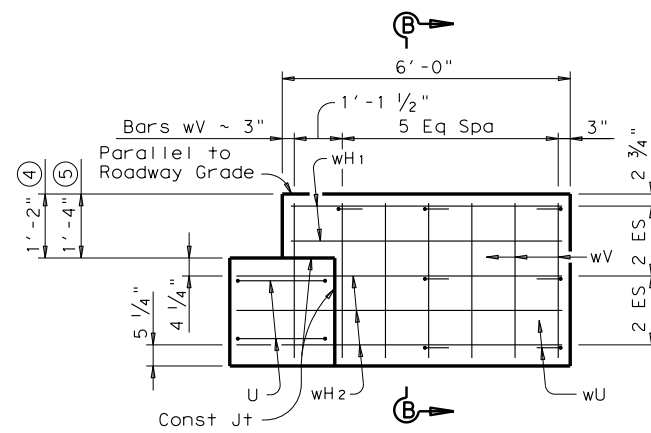
DATE: FILE:



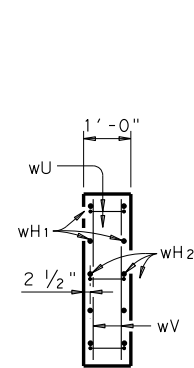
**PLAN**



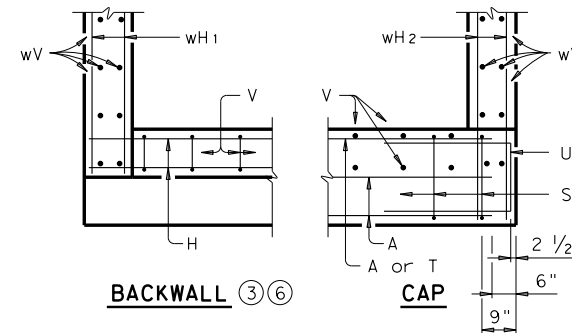
**ELEVATION ~ DRILLED SHAFT ABUTMENT**



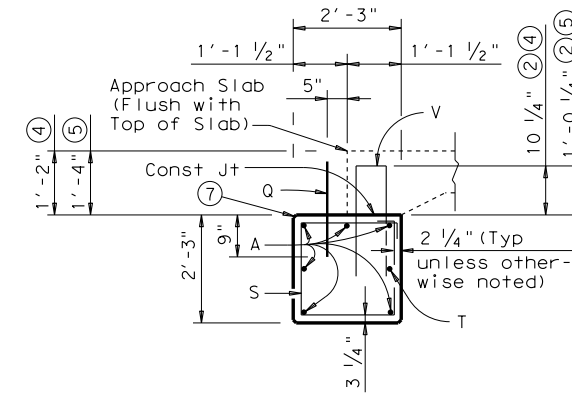
**WINGWALL ELEVATION**



**SECTION B-B**



**CORNER DETAILS**



**SECTION A-A (With Approach Slab)**

**GENERAL NOTES:**

Designed according to AASHTO LRFD Specifications. All cap and wall reinforcing shall be Grade 60. Concrete strength  $f'c = 3,600$  psi. Designed for normal embankment header slope of 3:1. See Layout for foundation size and length. See standard FD for foundation details and notes. See standard CS-MD for joint details and details not shown. Calculated Foundation Loads: 30 Tons/Drilled Shaft. These abutment details may be used with standards CS-25-44, CS-50-44, CS-75-44 and CS-80-44 only.

**TABLE OF ESTIMATED QUANTITIES ①**

14" SLAB					16" SLAB						
Bar	No.	Size	Length	Weight	Bar	No.	Size	Length	Weight		
A	6	#11	45'-0"	1,435	A	6	#11	45'-0"	1,435		
Q	5	#6	1'-6"	11	Q	5	#6	1'-6"	11		
S	42	#4	8'-2"	229	S	42	#4	8'-2"	229		
T	1	#5	45'-0"	47	T	1	#5	45'-0"	47		
U	4	#6	6'-9"	41	U	4	#6	6'-9"	41		
V	45	#5	5'-0"	235	V	45	#5	5'-4"	250		
wH1	8	#6	5'-8"	68	wH1	8	#6	5'-8"	68		
wH2	12	#6	6'-10"	123	wH2	12	#6	6'-10"	123		
wU	14	#4	1'-7"	15	wU	14	#4	1'-7"	15		
wV	28	#5	3'-1"	90	wV	28	#5	3'-3"	95		
Reinforcing Steel				Lb	2,294	Reinforcing Steel				Lb	2,314
Class "C" Concrete				CY	10.0	Class "C" Concrete				CY	10.0

① Quantities shown are for one Abutment only (with Approach Slab). With no Approach Slab, add 95 Lbs Reinforcing Steel for 2 ~ #5 Bars H (45'-8") and the following amounts of concrete: 14" slab thickness add 2.1 CY Class "C" Concrete. 16" slab thickness add 2.4 CY Class "C" Concrete.

② Increase as required to maintain 3 3/4" from Finished Grade.

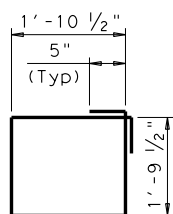
③ See Layout to determine if Approach Slab is present.

④ Use with 14" slab thickness.

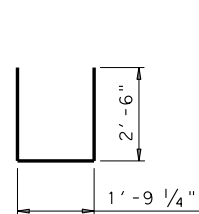
⑤ Use with 16" slab thickness.

⑥ Omit Bars H if Approach Slab is present.

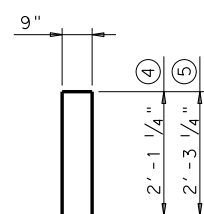
⑦ See standard CS-MD for Preformed Bituminous Fiber Material.



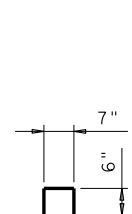
**BARS S**



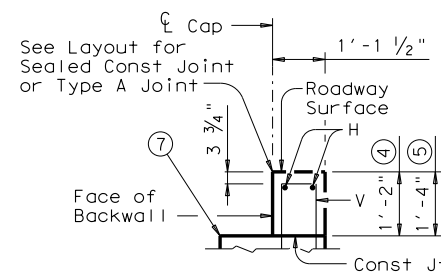
**BARS U**



**BARS V**



**BARS wU**



**BACKWALL DETAIL (Without Approach Slab)**

HL93 LOADING

**Texas Department of Transportation** Bridge Division Standard

**ABUTMENTS FOR C-I-P CONC SLAB SPANS (DRILLED SHAFTS) 44 FT ROADWAY**

**ACSD-44**

FILE: acs19ste.dgn	DN: TxDOT	CK: TxDOT	DW: TxDOT	CK: TxDOT
©TxDOT March 2009	CONT	SECT	JOB	HIGHWAY
REVISIONS				
	DIST	COUNTY		SHEET NO.