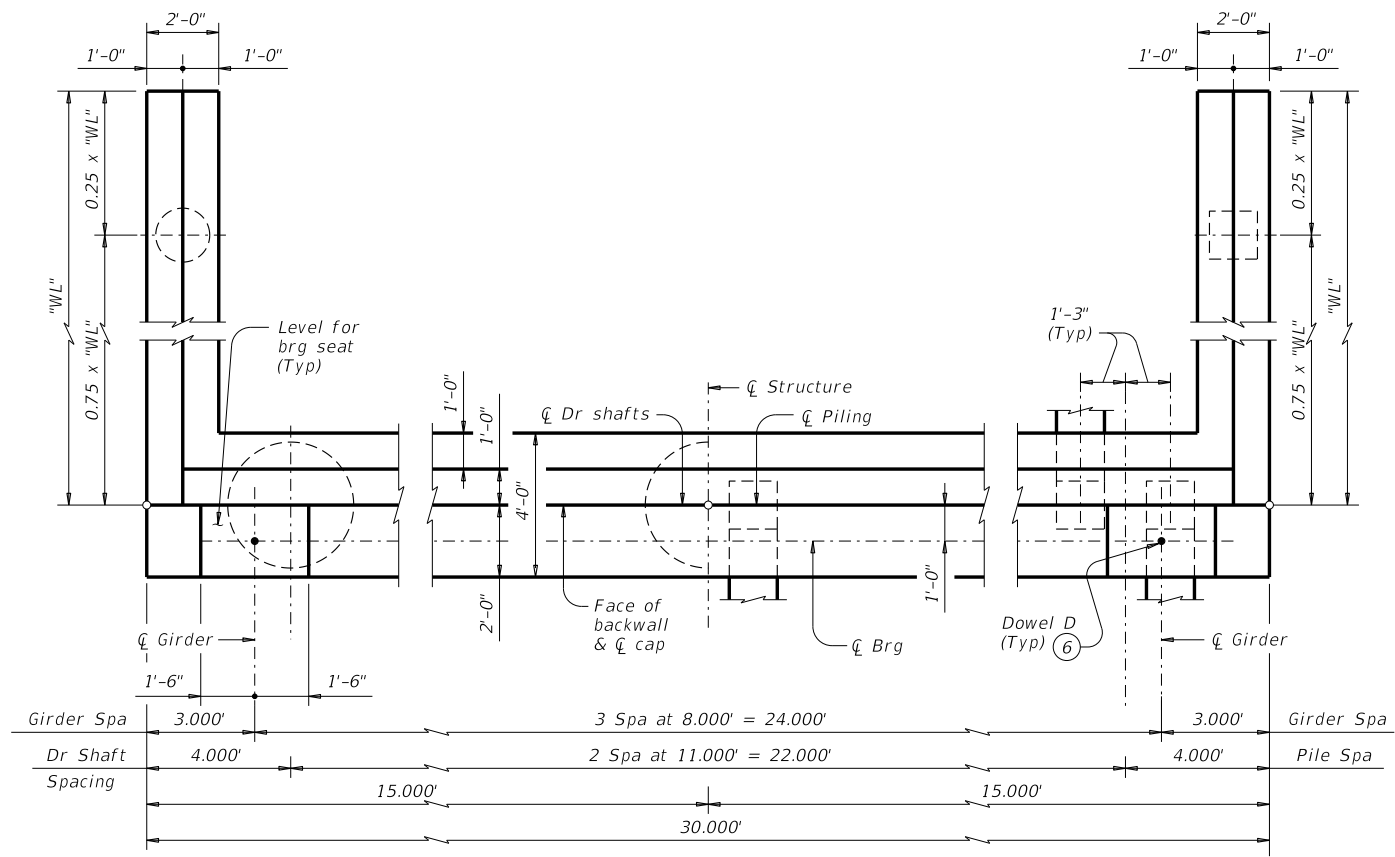
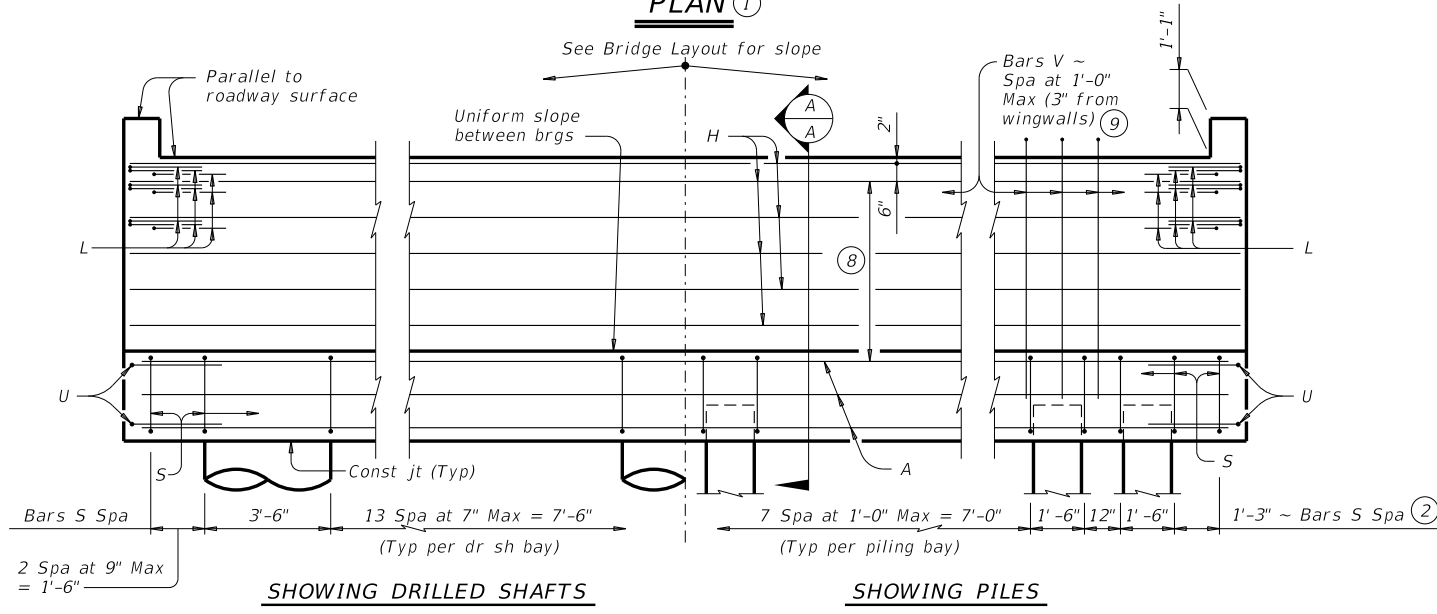


DISCLAIMER: The use of this standard is governed by the "Texas Engineering Practice Act". No warranty of any kind is made by TxDOT for any purpose whatsoever. TxDOT assumes no responsibility for the conversion of this standard to other formats or for incorrect results or damages resulting from its use.

DATE: FILE:

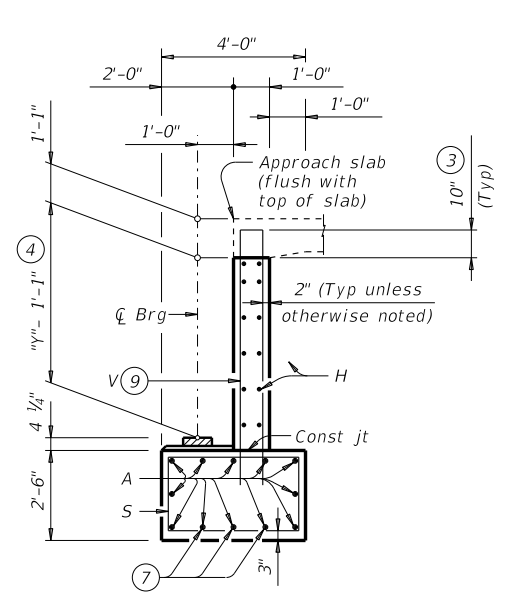


SHOWING DRILLED SHAFTS PLAN 1 SHOWING PILES



ELEVATION

Header Slope	Girder Type	Wingwall Type	Wingwall Lgth "WL"
2:1	Tx62	Founded	14.000'
3:1	Tx62	Founded	20.000'



SECTION A-A

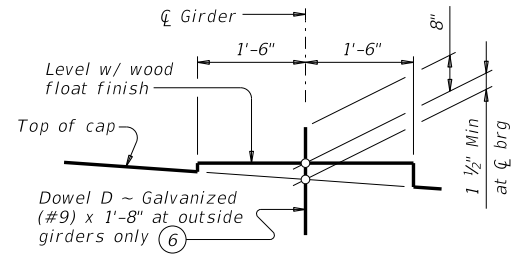
BACKWALL DETAIL

- 1 See Table A for variable dimensions based on header slope.
- 2 For piling larger than 16" adjust Bars S spacing as required to avoid piling.
- 3 Increase as required to maintain 3" from finished grade.
- 4 See Span details for "Y" value.
- 5 See Bridge Layout to determine if approach slab is present.
- 6 Omit Dowels D at end of multi-span unit. Adjust reinforcing steel total accordingly.
- 7 With pile foundations, move Bars A shown to clear piles.
- 8 5 Spaces at 1'-0" Max.
- 9 Field bend as needed to clear piles.

GENERAL NOTES:
 Designed according to AASHTO LRFD Bridge Design Specifications.
 See Bridge Layout for header slope and foundation type, size and length.
 See Common Foundation Details (FD) standard sheet for all foundation details and notes.
 See Concrete Riprap (CRR) standard sheet or Stone Riprap (SRR) standard sheet for riprap attachment details, if applicable.
 See applicable rail details for rail anchorage in wingwalls.
 These abutment details may be used with standard SIG-62-28 only.

Cover dimensions are clear dimensions, unless noted otherwise.
 Reinforcing bar dimensions shown are out-to-out of bar.

MATERIAL NOTES:
 Provide Class C concrete ($f'c = 3,600$ psi).
 Provide Class C (HPC) concrete if shown elsewhere in the plans.
 Provide Grade 60 reinforcing steel.
 Galvanize dowel bars D.



BEARING SEAT DETAIL

(Bearing surface must be clean and free of all loose material before placing bearing pad.)

Span Length	Girder Type Tx62	
	Tons/Shaft	Tons/Pile
60	88	74
65	93	76
70	97	78
75	101	80
80	105	83
85	109	85
90	114	87
95	118	89
100	122	91
105	126	93
110	130	95
115	134	98
120	138	100
125	142	102
130	146	104
135	151	106

Texas Department of Transportation
 Bridge Division Standard

ABUTMENTS
 TYPE TX62
 PRESTR CONC I-GIRDERS
 28' ROADWAY

AIG-62-28

FILE: aig25sts-17.dgn	DN: TAR	CK: KCM	DW: JTR	CK: TAR
©TxDOT August 2017	CONT	SECT	JOB	HIGHWAY
REVISIONS				
DIST	COUNTY			SHEET NO.

