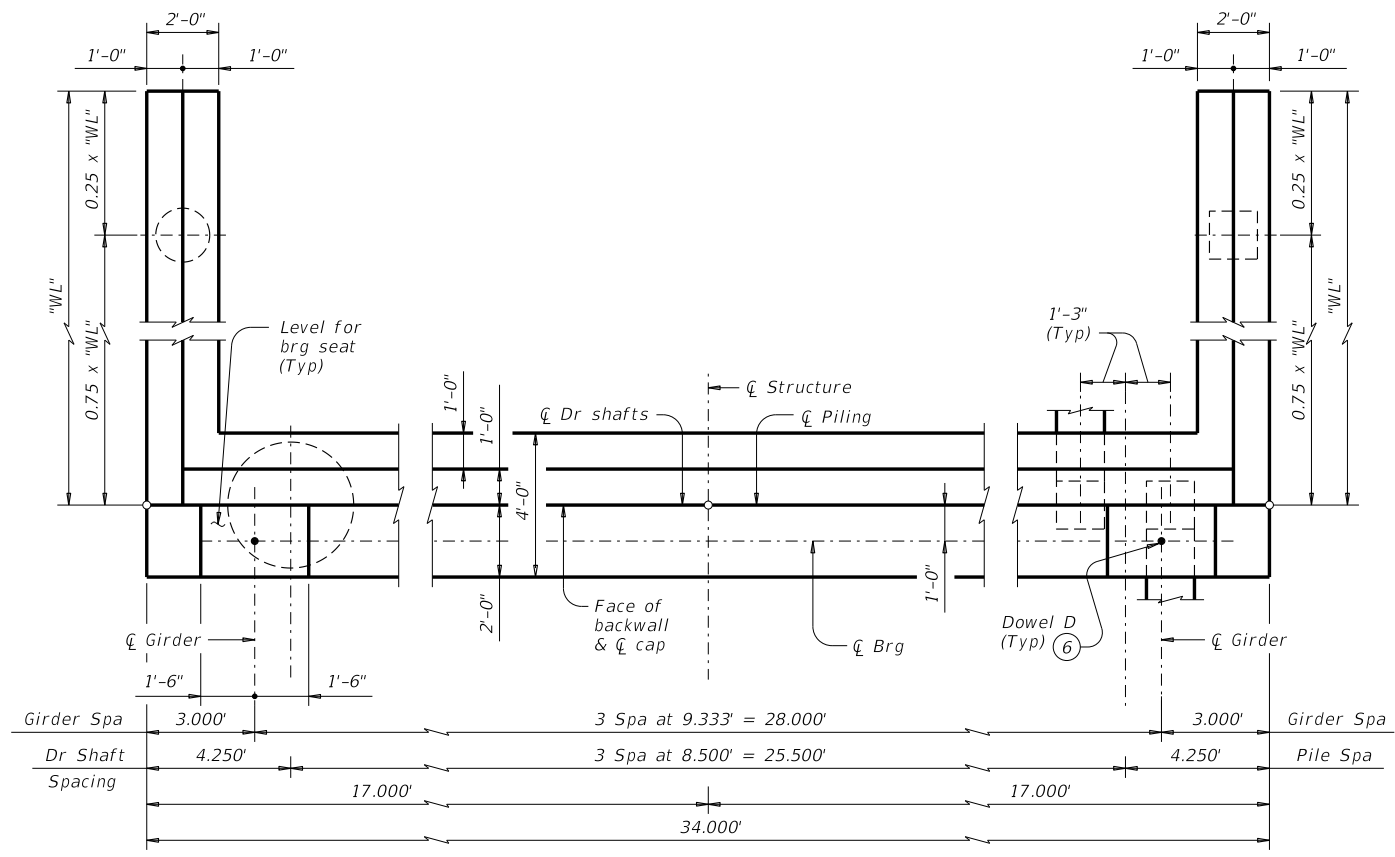
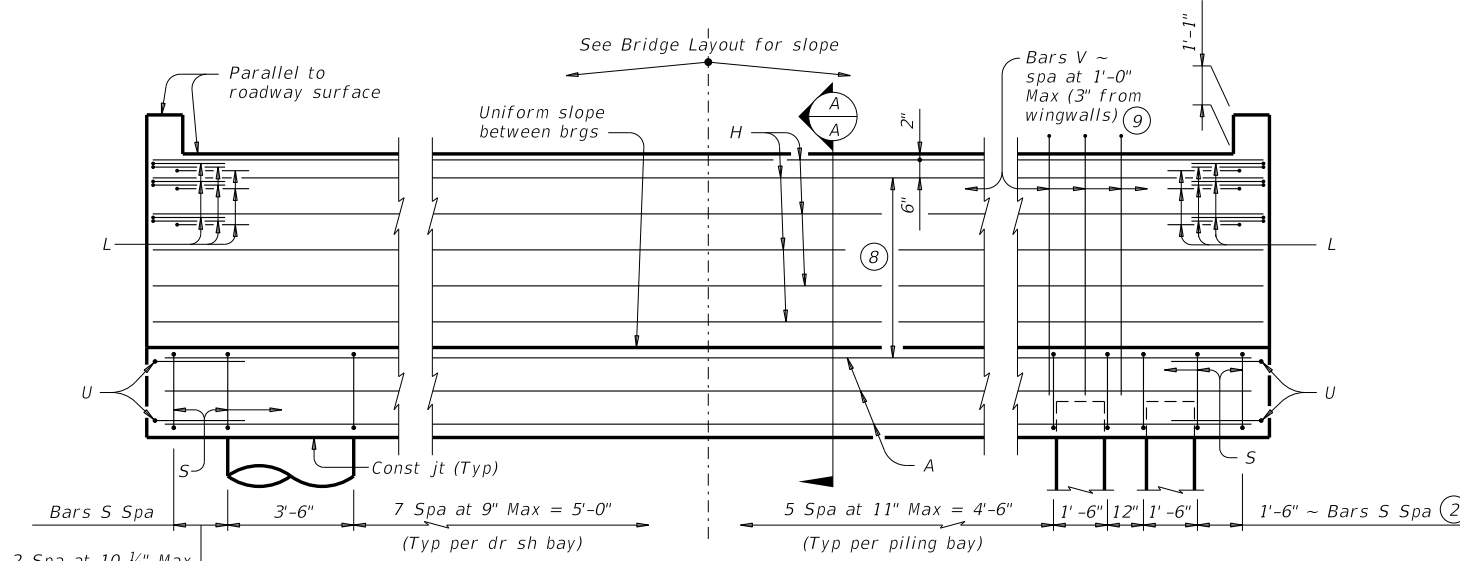


DISCLAIMER: The use of this standard is governed by the "Texas Engineering Practice Act". No warranty of any kind is made by TxDOT for any purpose whatsoever. TxDOT assumes no responsibility for the conversion of this standard to other formats or for incorrect results or damages resulting from its use.

DATE: FILE:

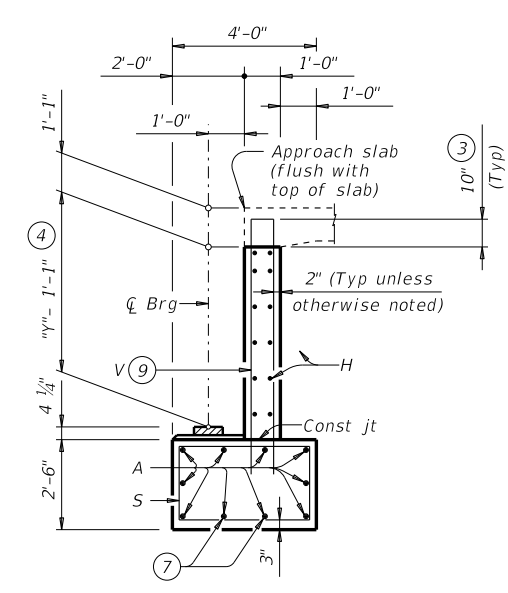


SHOWING DRILLED SHAFTS PLAN 1 SHOWING PILES

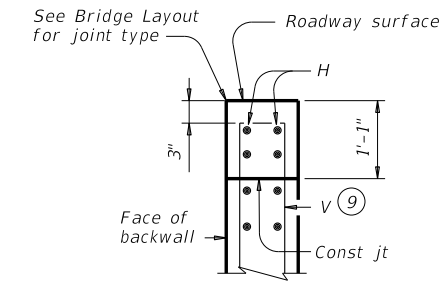


SHOWING DRILLED SHAFTS ELEVATION SHOWING PILES

Header Slope	Girder Type	Wingwall Type	Wingwall Lgth "WL"
2:1	Tx62	Founded	14.000'
3:1	Tx62	Founded	20.000'



SECTION A-A (With approach slab) 5



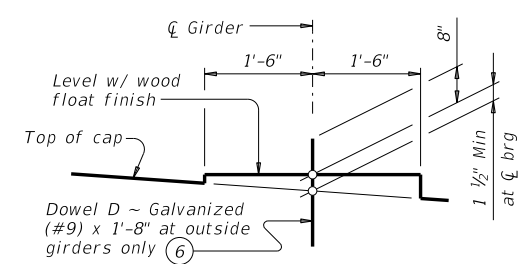
BACKWALL DETAIL (Without approach slab) 5

- 1 See Table A for variable dimensions based on header slope.
- 2 For piling larger than 16" adjust Bars S spacing as required to avoid piling.
- 3 Increase as required to maintain 3" from finished grade.
- 4 See Span details for "Y" value.
- 5 See Bridge Layout to determine if approach slab is present.
- 6 Omit Dowels D at end of multi-span unit. Adjust reinforcing steel total accordingly.
- 7 With pile foundations, move Bars A shown to clear piles.
- 8 5 Spaces at 1'-0" Max.
- 9 Field bend as needed to clear piles.

**GENERAL NOTES:**  
 Designed according to AASHTO LRFD Bridge Design Specifications.  
 See Bridge Layout for header slope and foundation type, size and length.  
 See Common Foundation Details (FD) standard sheet for all foundation details and notes.  
 See Concrete Riprap (CRR) standard sheet or Stone Riprap (SRR) standard sheet for riprap attachment details, if applicable.  
 See applicable rail details for rail anchorage in wingwalls.  
 These abutment details may be used with standard SIG-62-32 only.

Cover dimensions are clear dimensions, unless noted otherwise.  
 Reinforcing bar dimensions shown are out-to-out of bar.

**MATERIAL NOTES:**  
 Provide Class C concrete (f'c = 3,600 psi).  
 Provide Class C (HPC) concrete if shown elsewhere in the plans.  
 Provide Grade 60 reinforcing steel.  
 Galvanize dowel bars D.



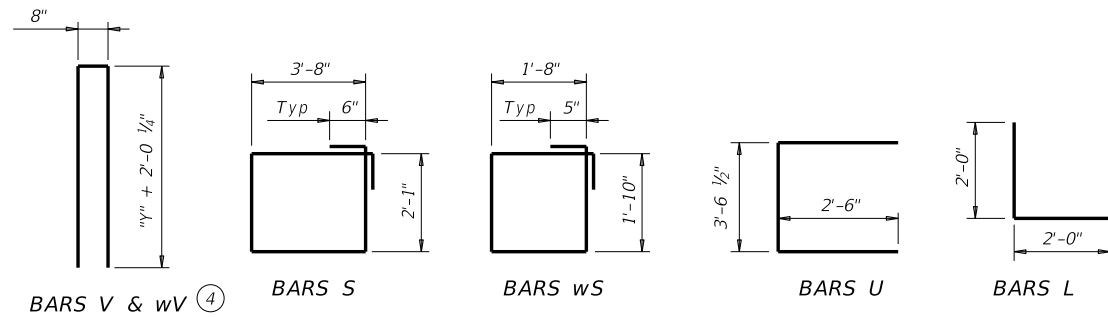
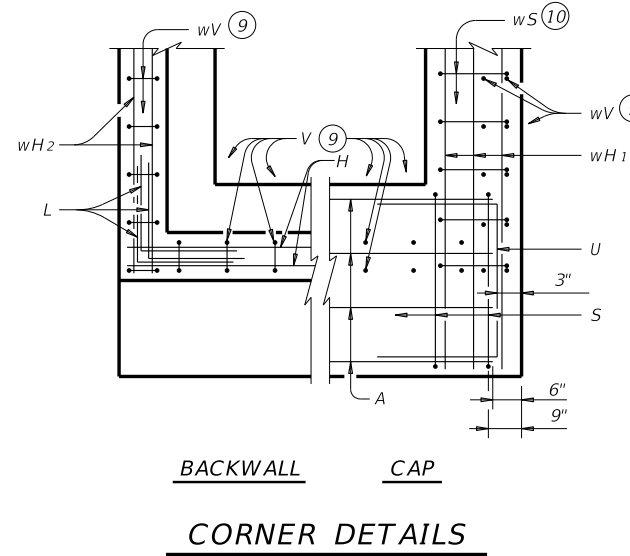
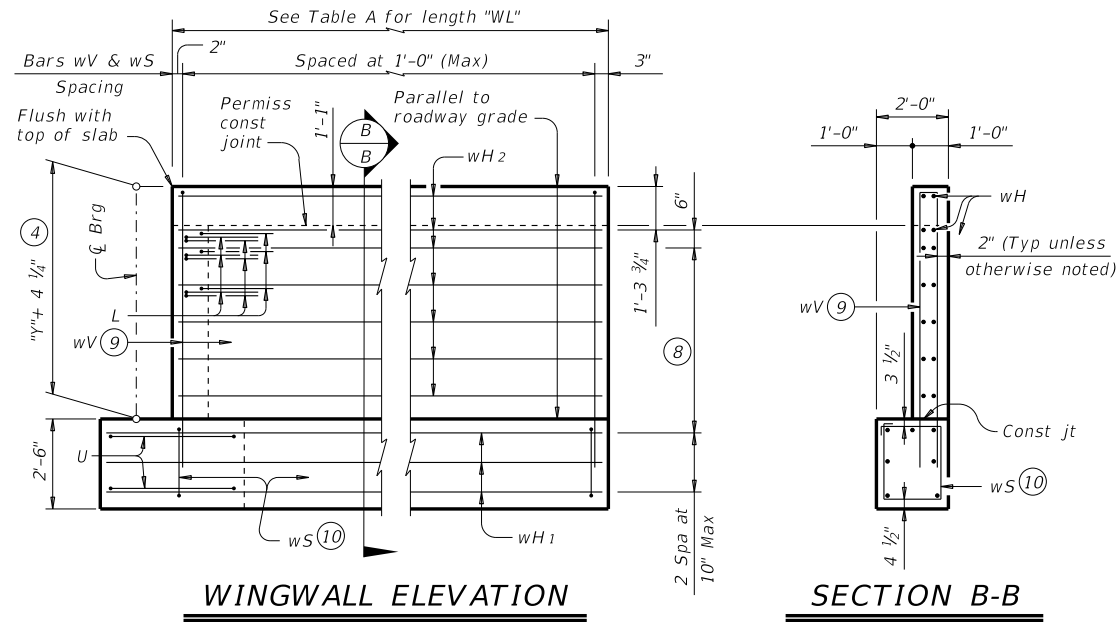
BEARING SEAT DETAIL (Bearing surface must be clean and free of all loose material before placing bearing pad.)

HL93 LOADING SHEET 1 OF 2

		<b>Bridge Division Standard</b>	
<b>ABUTMENTS                  TYPE TX62                  PRESTR CONC I-GIRDERS                  32' ROADWAY</b>			
<b>AIG-62-32</b>			
FILE: aig49sts-17.dgn	DN: TAR	CK: KCM	DW: JTR
©TxDOT August 2017	CONT	SECT	JOB
REVISIONS	COUNTY		SHEET NO.

DISCLAIMER: The use of this standard is governed by the "Texas Engineering Practice Act". No warranty of any kind is made by TxDOT for any purpose whatsoever. TxDOT assumes no responsibility for the conversion of this standard to other formats or for incorrect results or damages resulting from its use.

DATE:  
FILE:



- ④ See Span details for "y" value.
- ⑥ Omit Dowels D at end of multi-span unit. Adjust reinforcing steel total accordingly.
- ⑧ 5 Spaces at 1'-0" Max.
- ⑨ Field bend as needed to clear piles.
- ⑩ Adjust as required to avoid piling.
- ⑪ Quantities shown are for one abutment only (with approach slab). With no approach slab, add 1.3 CY Class "C" concrete and 202 lbs reinforcing steel for 4 additional Bars H.

**TABLE OF ESTIMATED QUANTITIES WITH 2:1 HEADER SLOPE**

TYPE Tx62 Girders				
Bar	No.	Size	Length	Weight
A	10	#11	33'-0"	1,753
D⑥	2	#9	1'-8"	11
H	12	#6	33'-8"	607
L	18	#6	4'-0"	108
S	30	#5	12'-6"	391
U	4	#6	8'-7"	52
V	33	#5	17'-0"	585
wH1	14	#6	15'-8"	329
wH2	28	#6	13'-8"	575
wS	30	#4	7'-10"	157
wV	30	#5	17'-0"	532
Reinforcing Steel			Lb	5,100
Class "C" Concrete			CY	30.3

**TABLE OF ESTIMATED QUANTITIES WITH 3:1 HEADER SLOPE**

TYPE Tx62 Girders				
Bar	No.	Size	Length	Weight
A	10	#11	33'-0"	1,753
D⑥	2	#9	1'-8"	11
H	12	#6	33'-8"	607
L	18	#6	4'-0"	108
S	30	#5	12'-6"	391
U	4	#6	8'-7"	52
V	33	#5	17'-0"	585
wH1	14	#6	21'-8"	456
wH2	28	#6	19'-8"	827
wS	42	#4	7'-10"	220
wV	42	#5	17'-0"	745
Reinforcing Steel			Lb	5,755
Class "C" Concrete			CY	35.4

HL93 LOADING

SHEET 2 OF 2



**ABUTMENTS  
TYPE TX62  
PRESTR CONC I-GIRDERS  
32' ROADWAY**

**AIG-62-32**

FILE: aig49sts-17.dgn	DN: TAR	CK: KCM	DW: JTR	CK: TAR
©TxDOT August 2017	CONT	SECT	JOB	HIGHWAY
REVISIONS	DIST		COUNTY	SHEET NO.